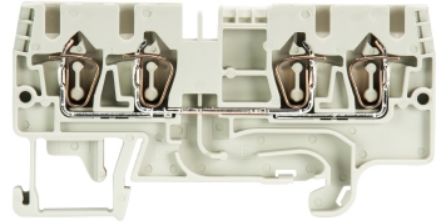


## Data sheet

Commercial Art.No.: 56.703.5155.0

Duo-modular terminal WKFN 2,5 D2/2/35

Duo Feed-through terminal with tension spring connection for mounting on TS 35, nominal cross section: 2.5 mm<sup>2</sup>, width: 5 mm, color: grey



|                    |               |
|--------------------|---------------|
| Commercial Art.No. | 56.703.5155.0 |
| EAN                | 4015573718371 |
| Order Unit         | 100           |

Certificates / Approvals



CAN-Ex



PTB



USA-Ex



## Technical data

### General

|  |                                   |
|--|-----------------------------------|
| Nominal cross section                                      | 2.5 mm <sup>2</sup>               |
| Color  | Grey                              |
| Number of levels   | 1                                 |
| Number of clamp positions per level                        | 4                                 |
| Width/grid dimension                                       | 5 mm                              |
| Insulating housing   | PA666                             |
| Inflammability class of insulation material acc. with UL94 | V0                                |
| Explosion-tested version "Ex e"                            | yes                               |
| Mounting method  | DIN rail (top hat rail) 35/7.5 mm |
| Terminal blocks for electrical installations               | yes                               |

### Technical data

|                             |               |
|-----------------------------|---------------|
| Rated current               | 24 A          |
| Rated voltage               | 800 V         |
| Rated impulse voltage       | 8 kV          |
| Pollution degree            | 3             |
| Closing plate required      | yes           |
| Type of insulation material | Thermoplastic |
| Length                      | 72.4 mm       |
| Width                       | 5 mm          |

### Connection Data

|                                     |                         |
|-------------------------------------|-------------------------|
| Connection type 1                   | spring clamp connection |
| Connection type 2                   | spring clamp connection |
| Minimum cross section solid         | 0.13 mm <sup>2</sup>    |
| Maximum cross section solid         | 4 mm <sup>2</sup>       |
| Minimum cross section fine stranded | 0.13 mm <sup>2</sup>    |
| Maximum cross section fine stranded | 2.5 mm <sup>2</sup>     |

|                   |       |
|-------------------|-------|
| Wire strip length | 11 mm |
|-------------------|-------|

#### Technical Data UL/CSA

|                        |           |
|------------------------|-----------|
| Cross section UL       | 22-12 AWG |
| Voltage UL             | 600 V     |
| Current factory wiring | 20 A      |
| Current field wiring   | 20 A      |
| Cross section CSA      | 24-12 AWG |
| Voltage CSA            | 600 V     |
| Current CSA            | 24 A      |

#### Classification

|            |          |
|------------|----------|
| ECLASS 11  |          |
| ECLASS 8.1 | 27141120 |
| ETIM 7.0   | EC000897 |
| ETIM 6.0   | EC000897 |
| ETIM 5.0   | EC000897 |
| ETIM 4.0   | EC000897 |
| ETIM 3.0   | EC000897 |

#### Product compliance

|                              |           |
|------------------------------|-----------|
| ROHS conformity status       | Compliant |
| REACH-SVHC conformity status | Compliant |

#### Accessories

| Commercial Art.No.: | Article-type description:                    | Description:   |
|---------------------|--|--|
| Z7.280.6227.0       | Jumper bar IVBWKF 2,5- 2                     | Cross connector, insulated for DIN rail terminal blocks type WKF..., 2 - pole                              |
| Z7.280.6327.0       | Jumper bar IVBWKF 2,5- 3                     | Cross connector, insulated for DIN rail terminal blocks type WKF..., 3 - pole                              |
| Z7.280.6427.0       | Jumper bar IVBWKF 2,5- 4                     | Cross connector, insulated for DIN rail terminal blocks type WKF..., 4 - pole                              |
| Z7.280.6527.0       | Jumper bar IVBWKF 2,5- 5                     | Cross connector, insulated for DIN rail terminal blocks type WKF..., 5 - pole                              |
| Z7.280.6627.0       | Jumper bar IVBWKF 2,5- 6                     | Cross connector, insulated for DIN rail terminal blocks type WKF..., 6 - pole                              |
| Z7.280.6727.0       | Jumper bar IVBWKF 2,5- 7                     | Cross connector, insulated for DIN rail terminal blocks type WKF..., 7 - pole                              |
| Z7.280.6827.0       | Jumper bar IVBWKF 2,5- 8                     | Cross connector, insulated for DIN rail terminal blocks type WKF..., 8 - pole                              |
| Z7.280.6927.0       | Jumper bar IVBWKF 2,5- 9                     | Cross connector, insulated for DIN rail terminal blocks type WKF..., 9 - pole                              |
| Z7.280.7027.0       | Jumper bar IVBWKF 2,5- 10                    | Cross connector, insulated for DIN rail terminal blocks type WKF..., 10 - pole                             |
| 98.300.0000.0       | Mounting rail TS 35x7,5 UNPERF - l:2000mm    | Mounting rail TS 35, unslotted, size 7,5 mm, length 2 m, material steel. galv. zinc-plated and dichromated |
| 98.300.1000.0       | Mounting rail TS 35x7,5 PERF 15mm - l:2000mm | Mounting rail TS 35, slotted, size 7,5 mm, length 2 m, material steel. galv. zinc-plated and dichromated   |
| 98.300.1900.0       | Mounting rail TS 35x7,5 PERF 25mm - l:2000mm | Mounting rail TS 35, slotted, size 7,5 mm, length 2 m, material steel. galv. zinc-plated and dichromated   |

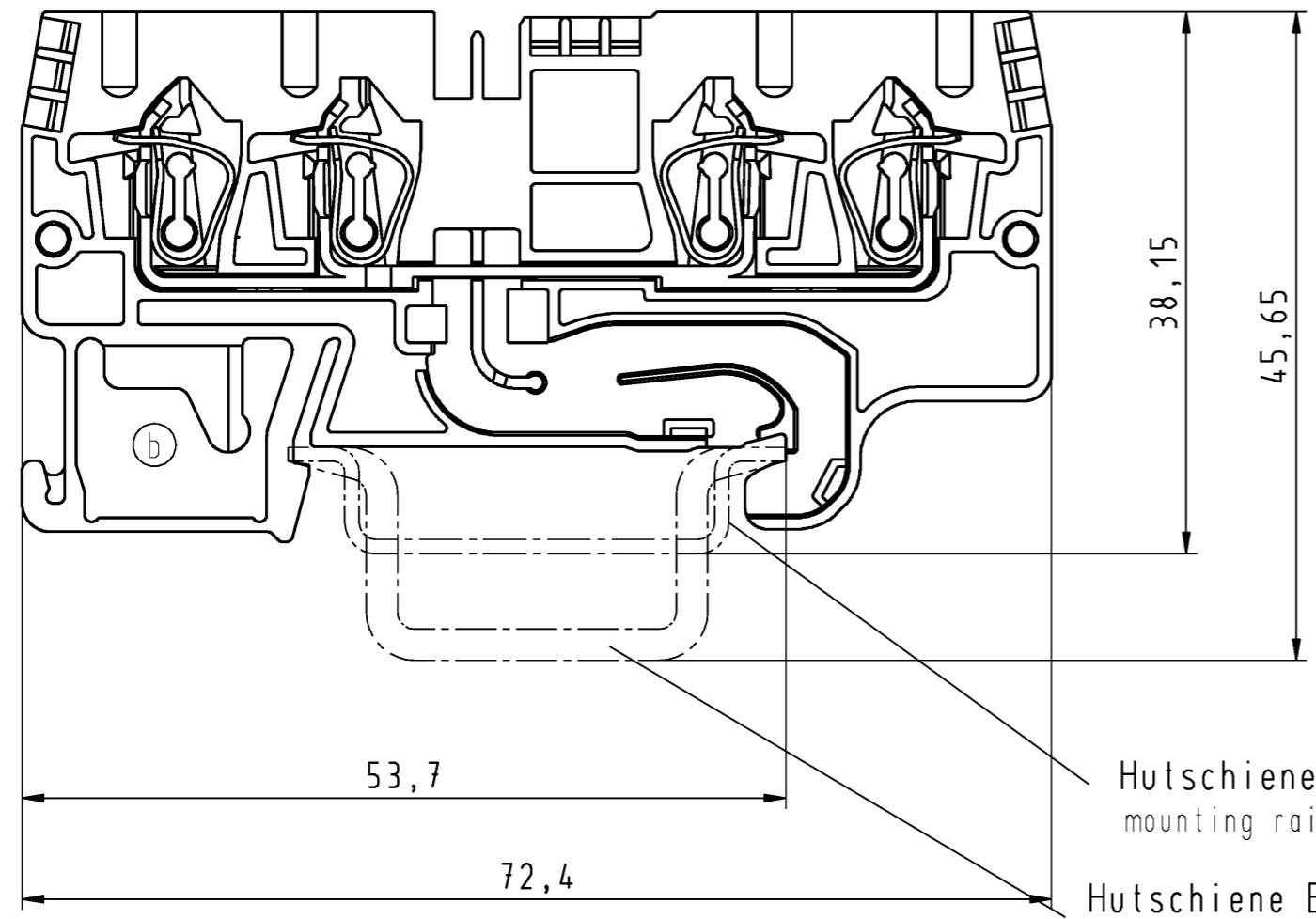
|               |  |  |
|---------------|--|--|
| 98.360.0000.0 | Mounting rail TS 35x15-2,3 UNPERF - l:2000mm     | Mounting rail TS 35, unslotted, size 15 mm, length 2 m, material steel. galv. zinc-plated and dichromated  |
| 98.360.0004.0 | Mounting rail TS 35x15-2,3 UNPERF FZN - l:2000mm | Mounting rail TS 35, unslotted, size 15 mm, length 2 m, material steel, hot galvanized   |
| 98.370.0000.0 | Mounting rail TS 35x15 UNPERF - l:2000mm         | Mounting rail TS 35, unslotted, size 15 mm, length 2 m, material steel. galv. zinc-plated and dichromated  |
| 98.370.1000.0 | Mounting rail TS 35x15 PERF 15mm - l:2000mm      | Mounting rail TS 35, slotted, size 15 mm, length 2 m, material steel. galv. zinc-plated and dichromated  |
| 98.380.0000.0 | Mounting rail TS 35x15-2,3 UNPERF CU - l:2000mm  | Mounting rail TS 35, unslotted, size 15 mm, length 2 m, material E copper  |
| 04.343.8353.8 | Warning cover ADF.../4 GELB                      | Cover with warning symbol for DIN rail terminal blocks type WKF ...  |
| 07.312.7155.0 | End plate APFN 2,5 D2/2/35                       | End plate for DIN rail terminal blocks type WKFN 2,5 D2/2..., color: grey  |
| 07.312.7155.6 | End plate APFN 2,5 D2/2/35 BLAU                  | End plate for DIN rail terminal blocks type WKFN 2,5 D2/2..., color: blue  |
| 07.312.7255.0 | Partition TWFN 2,5 D2/2/35                       | Partition for DIN rail terminal blocks type WKFN 2,5 D2/2..., color: grey  |
| Z7.280.7127.0 | Jumper bar IVBWKF 2,5- 11                        | Cross connector, insulated for DIN rail terminal blocks type WKF..., 11 - pole   |
| Z7.280.7227.0 | Jumper bar IVBWKF 2,5- 12                        | Cross connector, insulated for DIN rail terminal blocks type WKF..., 12 - pole   |
| Z7.280.8027.0 | Jumper bar IVBWKF 2,5- 20                        | Cross connector, insulated for DIN rail terminal blocks type WKF..., 20 - pole   |
| 98.300.1800.0 | Mounting rail TS 35x7,5 PERF 18mm - l:2000mm     | Mounting rail TS 35, slotted, size 7,5 mm, length 2 m, material steel. galv. zinc-plated and dichromated   |
| 05.564.3755.0 | Wire entry guides LEL 2,5/1 white                | Wire entry guides for wires with a nominal cross section of 0.13mm <sup>2</sup> -0.20mm <sup>2</sup> , color: white                                |
| 05.564.3855.0 | Wire entry guides LEL 2,5/1 gray                 | Wire entry guides for wires with a nominal cross section of 0.25mm <sup>2</sup> -0.5mm <sup>2</sup> , color: grey                                  |
| 05.564.3955.0 | Wire entry guides LEL 2,5/1 black                | Wire entry guides for wires with a nominal cross section of 0.75mm <sup>2</sup> -1.0mm <sup>2</sup> , color: black                                 |
| 04.242.5053.0 | Marking tag strips 9705 A / 5 / 10               | Marking tag strips for DIN rail terminal blocks type 9700 A / 5..., 10 tags per strip, color: blue, unmarked, markable with Wieplot plotter-system |

A  
These dimensions will be especially checked at delivery  
Only inspection dimensions  
With /E marked dimensions are only valid for internal use

C  
Diese Maße werden bei Abnahme besonders geprüft  
Ausschließlich Prüfmaße  
Mit /E gekennzeichnete Maße sind nur für interne Zwecke gültig

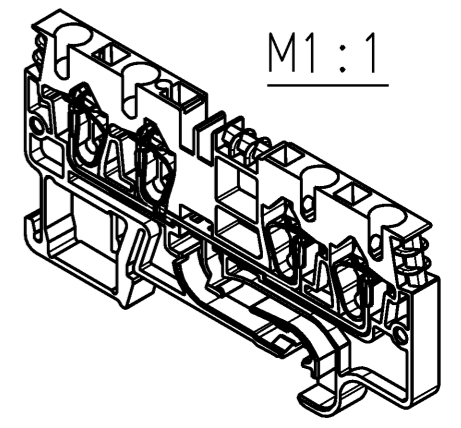
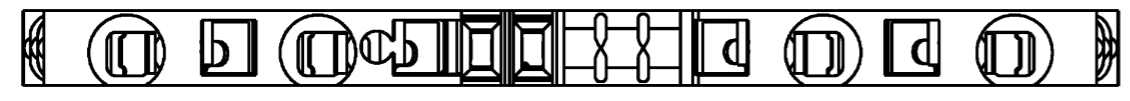
E

F



Hutschiene EN 60715-35x7,5  
mounting rail EN 60715-35x7,5

Hutschiene EN 60715-35x15  
mounting rail EN 60715-35x15



Weitergabe sowie Vervielfältigung dieses Dokuments, Verwertung und Mitteilung seines Inhalts sind verboten, soweit nicht ausdrücklich gestattet. Die Reproduktion, Distribution und Nutzung dieses Dokuments, sowie die Kommunikation mit anderen, ohne ausdrückliche Genehmigung, ist untersagt.

Weitere Daten siehe Katalog  
further data see catalog

| Teilenummer<br>part number | Farbe<br>colour | Typ<br>type         |
|----------------------------|-----------------|---------------------|
| 56.703.5155.0              | grau/grey       | WKFN 2,5 D2/2/35    |
| 56.703.5155.1              | schwarz/black   | WKFN 2,5 D2/2/35 SW |
| 56.703.5155.5              | rot/red         | WKFN 2,5 D2/2/35 RT |
| 56.703.5155.6              | blau/blue       | WKFN 2,5 D2/2/35 BL |
| 56.703.5155.7              | grün/green      | WKFN 2,5 D2/2/35 GR |
| 56.703.5155.9              | orange          | WKFN 2,5 D2/2/35 OR |

|   |   |   |                                      |
|---|---|---|--------------------------------------|
| Tolerierung Size ISO 14405 (E) / Tolerance system Size ISO 14405 (E).<br>(This ISO-standard describes the envelope principle. According to the envelope principle the deviations of form and parallelism are limited by the size tolerances). |   | ja/yes <input checked="" type="checkbox"/> Stoffverbots- und Deklarationsliste nach WN 5020.010 ist einzuhalten.<br>Conformity with Wieland document WN 5020.010 e (list of prohibited / declarable hazardous substances) to be declared! |                                      |
| Freitoleranz nach<br>General tolerance  | CAD - Zeichnung, keine manuellen Änderungen<br>CAD - drawing, no manual modifications allowed | 1. Verwendung:<br>First Use:  | Blatt:<br>Sheet: 1 von 1<br>of 1     |
|   | Werkstoff / Material  | Tag/Date  | Name                                 |
|   |   | 13.12.2016  | Schmitt J.                           |
|   | Maßstab / Scale   | Zeichnung Nr. / Drawing No.   |                                      |
| d   | 2:1   | T 56.703.5155.001K d  |                                      |
| c   | 07.11.2012 /  | Maße in mm / Dimensions are in mm   |                                      |
| b   | 05.04.2012 /  | Ersatz für / Replacement for:   |                                      |
| a   | 03.01.2005 /  | Type  | Benennung/Title                      |
| Index   | Datum / Blatt<br>Date / Sheet   | WKFN2,5<br>D2/2/35  | DUO DURCHGANGSKLEMME<br>duo terminal |
| Änderung / Revision   |   |   |                                      |