

Model. No.	FYL-5012GD1C
Rev.	A

## PRODUCT SPECIFICATION

**Model No. : : FYL-5012GD1C**

Descriptions:
■ Dice material: GaP
■ Emitting Color: Yellow Green
■ Device Outline: Φ5mm round type.
■ Lens Type: Green diffused



CUSTOMER APPROVED SIGNATURES	APPROVED BY	CHECKED BY	PREPARED BY

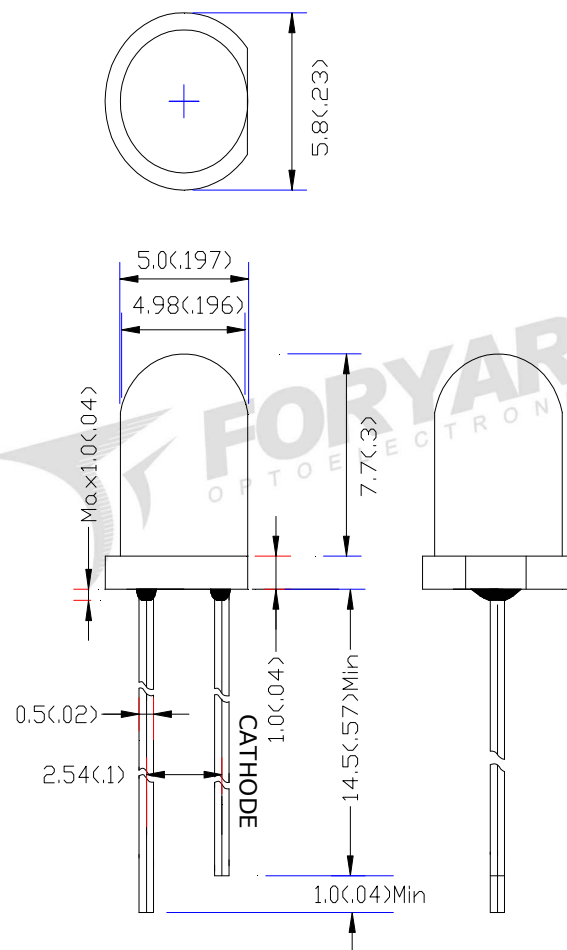
NINGBO FORYARD OPTOELECTRONICS CO.,LTD.  
 Add:NO.115 Qixin Road Ningbo Zhejiang China  
 Tel: 0086-574-87933652 87927870 87922206  
 Fax: 0086-574-87927917  
 E-mail: Sales@foryard.com ( General )  
[Http://www.foryard.com](http://www.foryard.com)

Zip:315051

## Features

1. Low power consumption.
2. High efficiency.
3. General purpose leads.
4. RoHs compliant.

## Package configuration



### Notes:

1. All dimensions are millimeters (inches)
2. Tolerance is  $\pm 0.25\text{mm} (.010")$  unless otherwise noted.
3. The specifications, characteristics and technical data described in the datasheet are subject to change without prior notice.

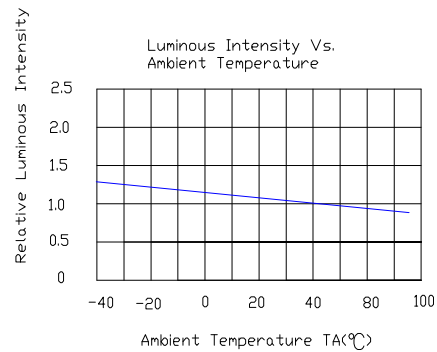
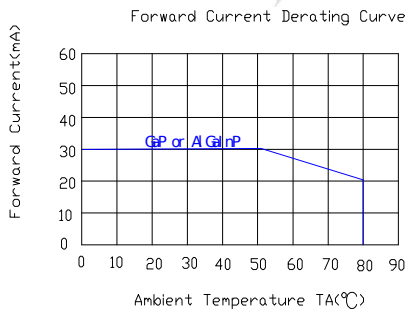
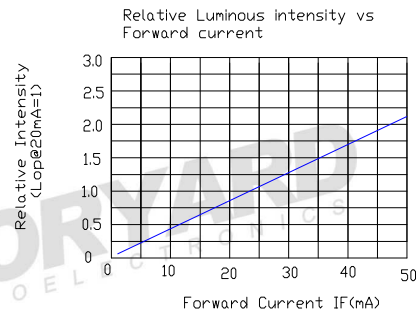
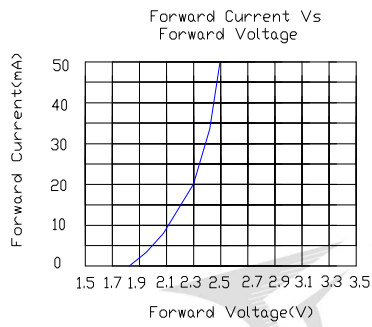
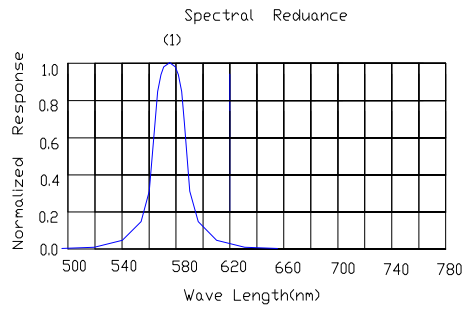
**Absolute maximum ratings(Ta=25° c)**

Parameter	MAX.	Unit
Power Dissipation	75	mW
Peak Forward Current (1/10 Duty Cycle, 0.1ms Pulse Width)	100	mA
Continuous Forward Current	30	mA
Derating Linear From 50°C	0.4	mA/°C
Reverse Voltage	5	V
Operating Temperature Range	-40°C to +85°C	
Storage Temperature Range	-40°C to +100°C	
Lead Soldering Temperature[4mm(.157") From Body]	260°C for 5 Seconds	

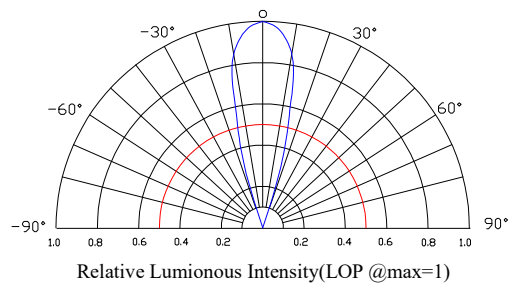
**Electrical and optical characteristics(Ta=25° c)**

Parameter	Symbol	Min.	Typ.	Max.	Unit	Test Condition
Luminous Intensity	I <sub>v</sub>	-	40	-	mcd	I <sub>F</sub> =20mA
Viewing Angle	2θ <sub>1/2</sub>	-	30	-	Deg	
Peak Emission Wavelength	λ <sub>p</sub>	563	568	573	nm	
Dominant Wavelength	λ <sub>d</sub>	565	570	575	nm	
Spectral Line Half-Width	Δλ	-	20	-	nm	
Forward Voltage	V <sub>F</sub>	1.8	2.1	2.6	V	
Reverse Current	I <sub>R</sub>			10	μA	V <sub>R</sub> =5V

## Typical Electrical Characteristics Curves (25° c Ambient Temperature Unless Otherwise Noted)

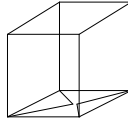


### Radiation pattern.

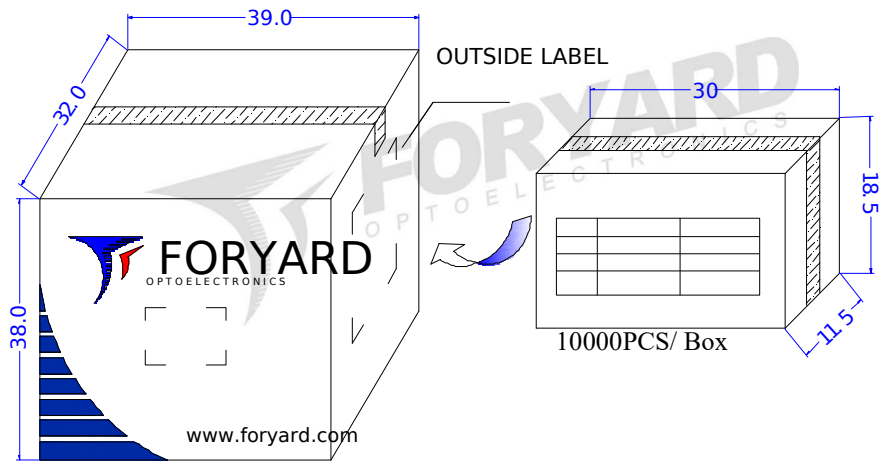
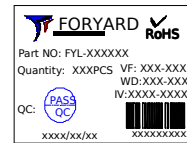


Model. No.	FYL-5012GD1C
Rev.	A

## LAMP PACKING



5mm 1000PCS/Polybag



60000PCS/ Carton



OUTSIDE LABEL