

## DETAILS

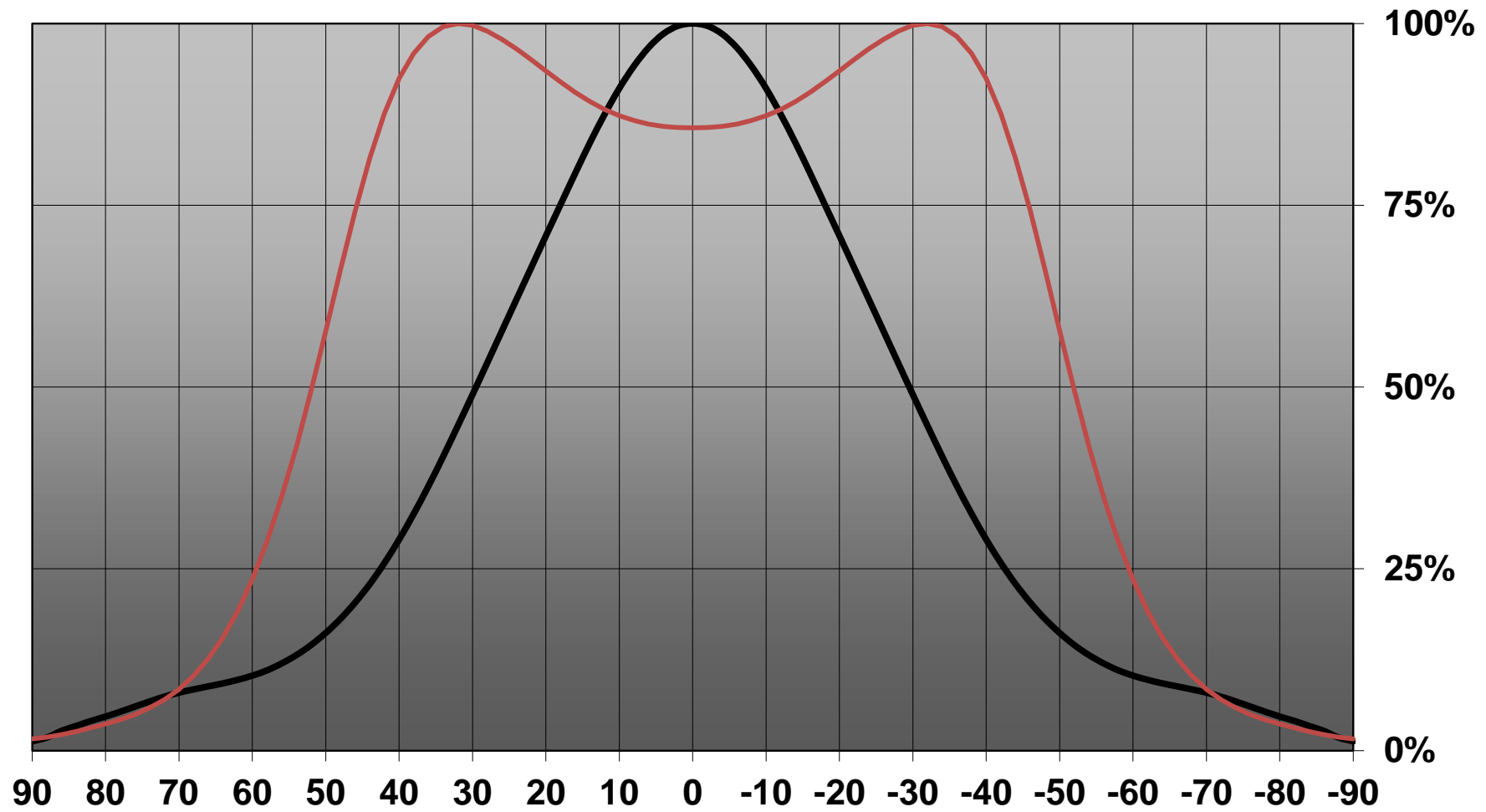
<b>Product Number</b>	C11244_STRADA-DN
<b>Family</b>	Strada-D
<b>Type</b>	Lens
<b>Color</b>	clear
<b>Diameter</b>	19,6 x 15,5 mm
<b>Height</b>	5,6 mm
<b>Style</b>	rectang
<b>Optic Material</b>	PMMA
<b>Holder Material</b>	
<b>Fastening</b>	pin, glue, screw
<b>Status</b>	production ready
<b>ROHS Compliant</b>	Yes
<b>Date Updated</b>	6/09/2013



## OPTICAL PROPERTIES

LED	Viewing Angle	Light Beam	Efficiency	cd/lm	Connector
CL-L400	104+60 deg	Streetligh...	92 %	-	-
MX-6	108+56 deg	Streetligh...	92 %	0.450	-
MX-3	108+56 deg	Streetligh...	92 %	-	-
NS6x83	110+56 deg	Streetligh...	92 %	0.510	-
NS3x83	110+56 deg	Streetligh...	92 %	0.510	-

Relative intensity of C11244-Strada-DN-6N83-CL-L400



H G F E D C B A

4

3

2

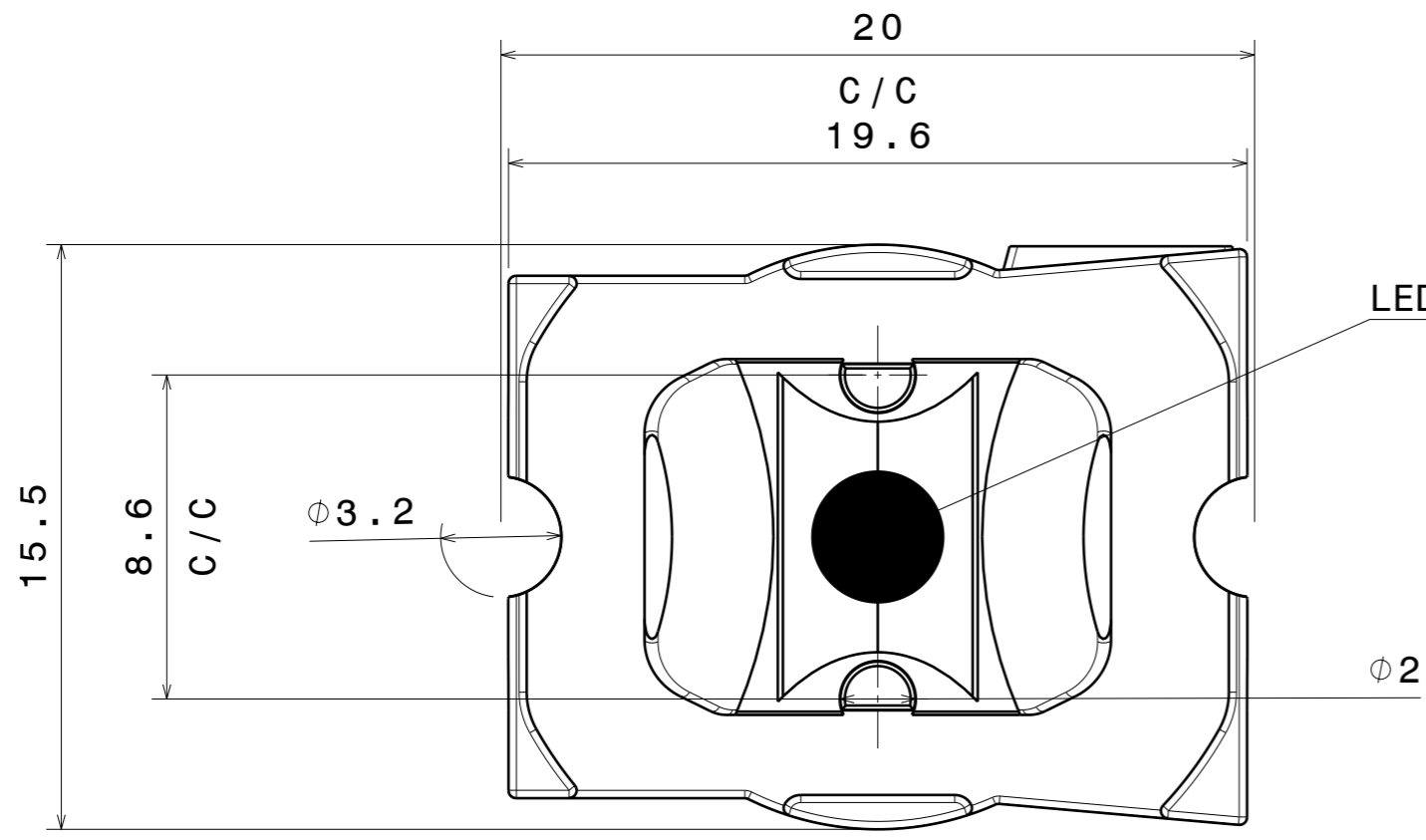
1

4

3

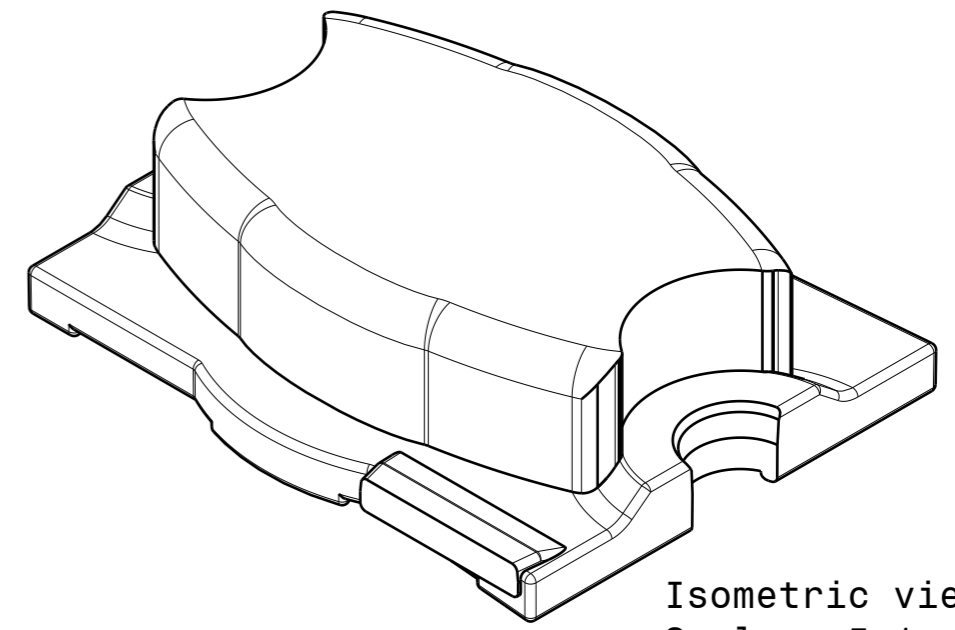
2

1

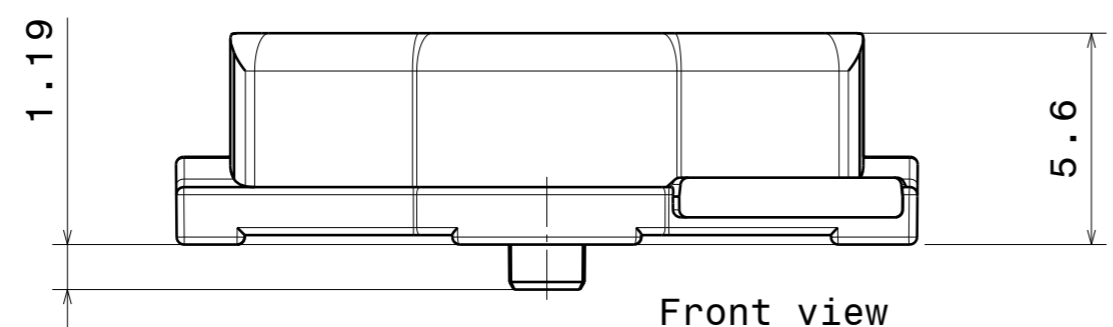


LED position

Bottom view  
Scale: 5:1



Isometric view  
Scale: 5:1



Front view  
Scale: 5:1

Tolerances if not otherwise shown  
According to DIN ISO 2768-1  
Linear measures:  
Up to 30mm class M, otherwise class C.  
According to DIN ISO 2768-2  
Form and position: class L

**LEDiL** LediL Oy  
Salorankatu 10  
FIN 24240 SALO  
Finland

THIRD ANGLE PROJECTION:

DRAWING TITLE  
**C11244\_STRADA-DN**

This drawing is the property of LEDiL Oy. It may not be reproduced, copied or communicated without a written agreement with LEDiL Oy."

SIZE	PART NUMBER		
<b>A3</b>	<b>C11244</b>		

SCALE	5:1	WEIGHT	-	SHEET	1/1
-------	-----	--------	---	-------	-----

H G F E D C B A

**NOTE: The typical divergence will be changed by different color, chip size and chip position tolerance. The typical total divergence is the full angle measured where the luminous intensity is half of the peak value.**