

• **W-03A**



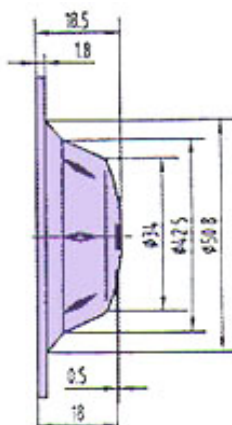
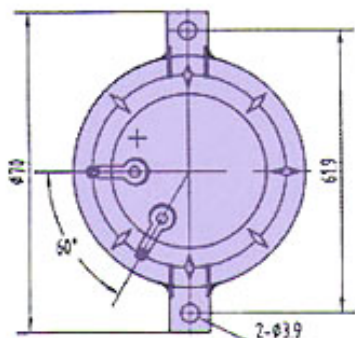
FEATURES:

- Small and light
- Compact structure
- High reliability

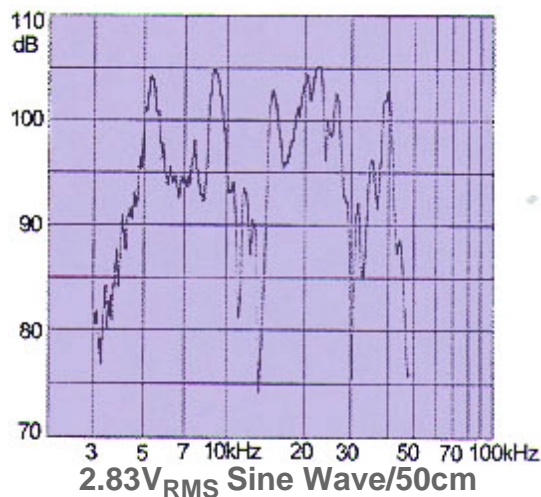
APPLICATIONS:

- Automatic Control Equipment
- Communication Equipment
- Electronic Instrument

DIMENSIONS: (Unit: mm)



CHARACTERISTICS:



ELECTRICAL SPECIFICATIONS :

Model No.	W-03A
Min. Sound Pressure Level (dB)	95 /20 ± 2KHz/2.83V _{RMS} Sine Wave/50cm
	92 /40 ± 3KHz/2.83V _{RMS} Sine Wave/50cm
Rated Voltage (V _{RMS})	2.83
Max. Operating Voltage (V _{RMS})	10
Resonant Frequency Range (kHz)	5 ~ 50
Operating Temperature (°C)	-20 ~ +70
Case Material/Colour	ABS/Black
Weight (g)	7

PACKING INFORMATION :

Packing :	500 pcs per export carton
Carton Size :	47 X 30.5 X 31 cm
G. Weight :	5.0 kgs
N. Weight :	3.5 kgs