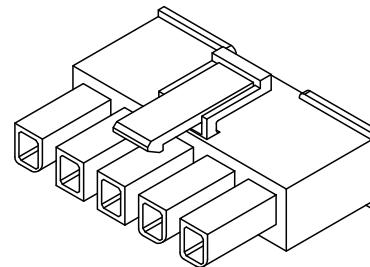
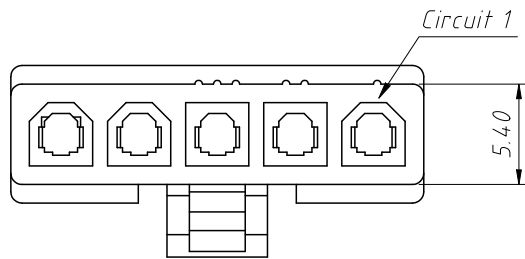


RoHS Compliance



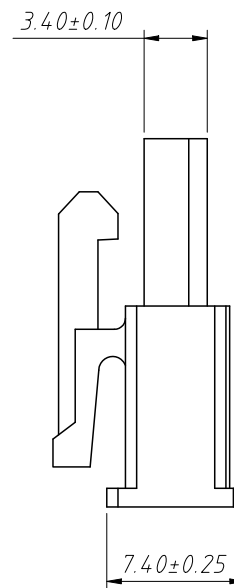
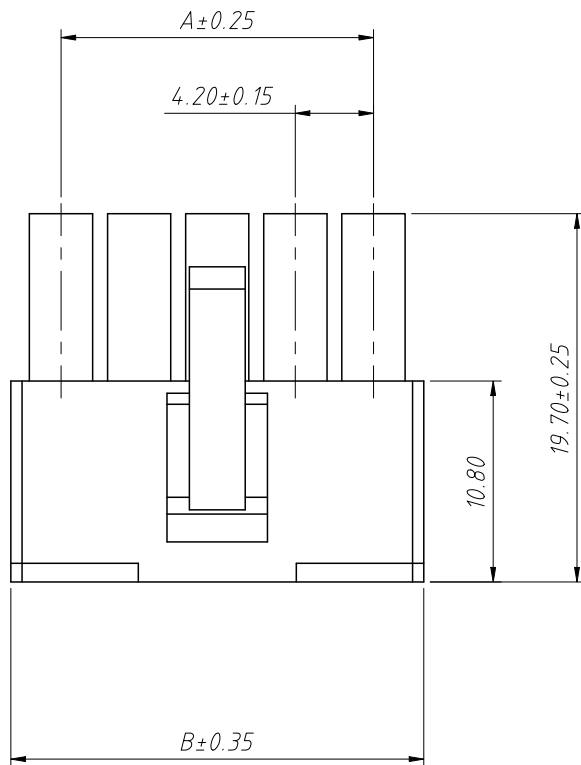
Pin	Dimensions(mm)	
	A	B
02	4.20	9.60
03	8.40	13.80
04	12.60	18.00
05	16.80	22.20
06	21.00	26.40

Material:
Housing:PA66,UL 94 V-0/2

Electrical Characteristics:
Rated Current:7.0A AC,DC
Voltage rating:600V AC,DC
Temperature range:-25°C ~ + 85°C
Insulator Resistance:1000M Ω Min
Withstanding Voltage:1500V AC/minute
Contact Resistance:20m Ω Max

Order Information:
L-KLS1-4.20-1x02-MH

L: RoHS
Pitch:4.20mm
Pins:
1-Single layer
2-Double layer
No. of 02 ~ 06 pins
Type:
MH / FH -Hosing
MT / FT-Terminal
W1-Without ear

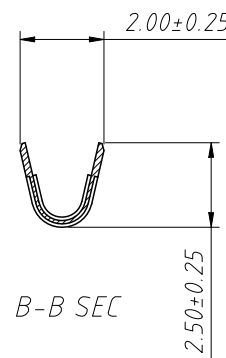
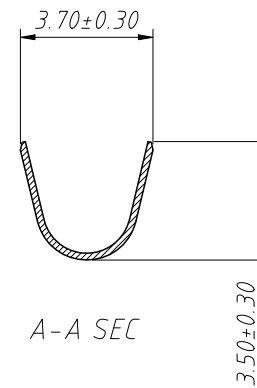
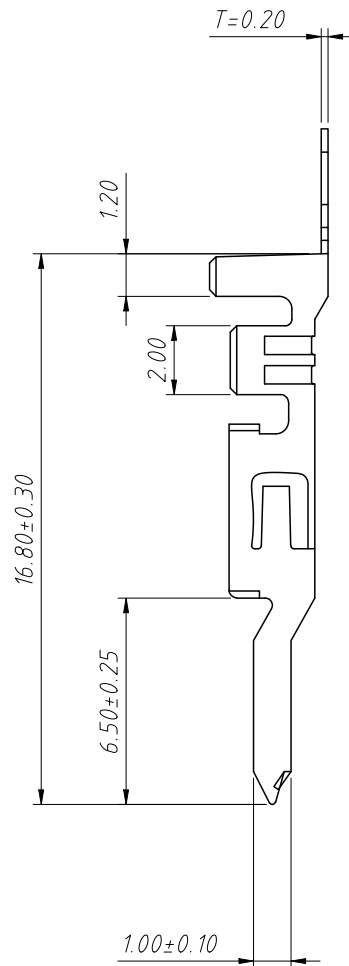
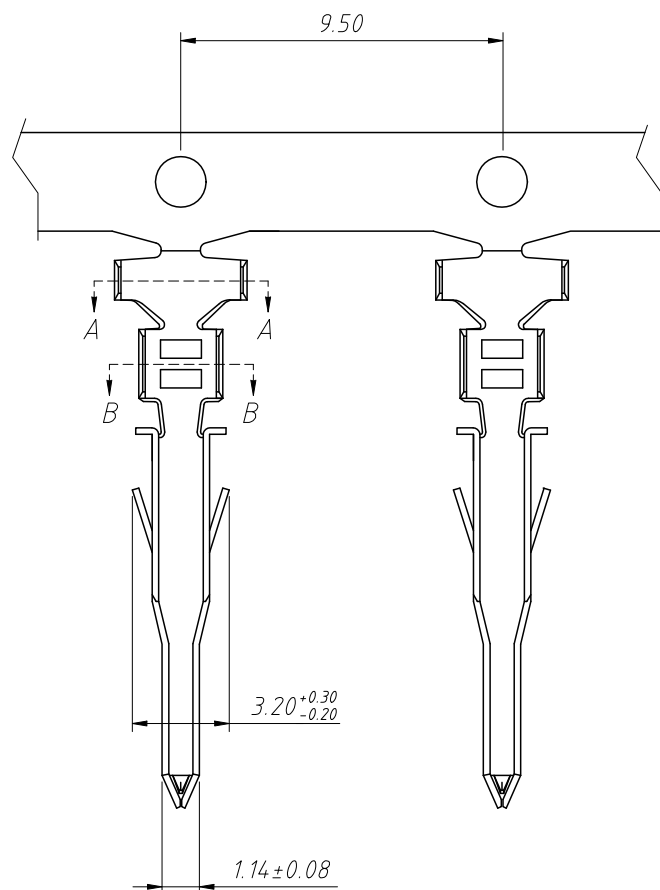


ANGLE TOLERANCE	PROJECTION	Description:	4.20mm Pitch Mini-Fit JR 5556 5557 5559 5566 5569 Wire To Board Connector
±3°			
GENERAL TOLERANCE	UNITS	mm	KLS P/N: L-KLS1-4.20-1x02-MH
x.x ±0.30	SHEET SIZE	A4	
x.xx ±0.20	Draw:	Daniel	2021-01-11
x.xxx ±0.10	Check:	Daniel	2021-01-11



NingBo KLS ELECTRONIC CO.,LTD.

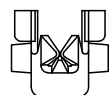
RoHS Compliance



Material:
 Terminal: Brass
 Finish: Tin Plated
 Applicable wire: AWG#20-#24
Electrical Characteristics:
 Rated Current: 7.0A AC,DC
 Voltage rating: 600V AC,DC
 Temperature range: -25°C ~ +85°C
 Insulator Resistance: 1000MΩ Min
 Withstanding Voltage: 1500V AC/minute
 Contact Resistance: 20mΩ Max

Order Information:
 L-KLS1-4.20-MT

L: RoHS
 Pitch: 4.20mm
 Type:
 MH / FH -Hosing
 MT / FT -Terminal
 W1-Without ear

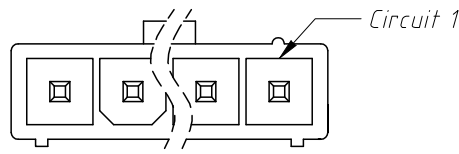


ANGLE TOLERANCE	PROJECTION	Description:	4.20mm Pitch Mini-Fit JR 5556 5557 5559 5566 5569 Wire To Board Connector
±3°			
GENERAL TOLERANCE	UNITS	mm	KLS P/N: L-KLS1-4.20-MT
x.x ±0.30	SHEET SIZE	A4	
x.xx ±0.20	Draw:	Daniel	2021-01-11
x.xxx ±0.10	Check:	Daniel	2021-01-11



NingBo KLS ELECTRONIC CO.,LTD.

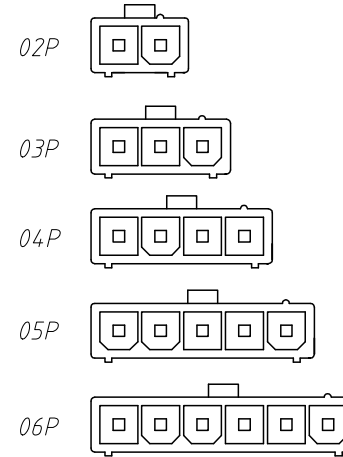
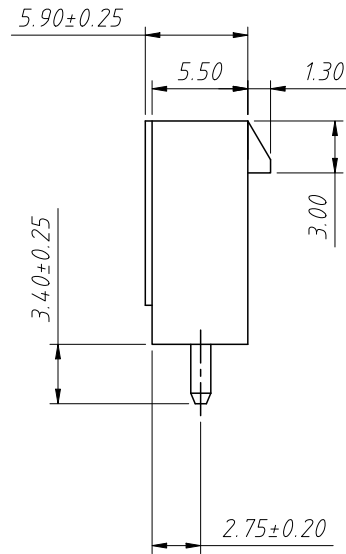
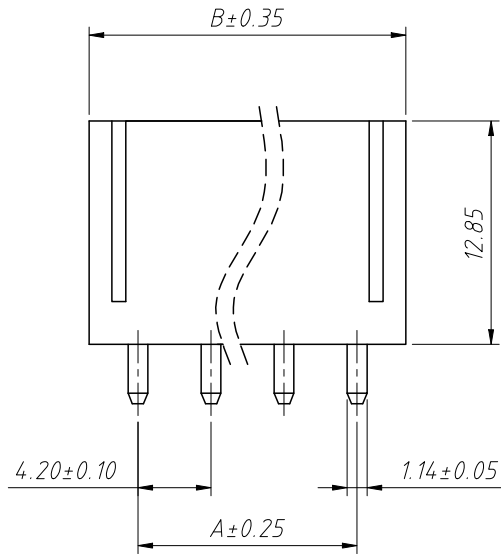
RoHS Compliance



Pin	Dimensions(mm)	
	A	B
02	4.20	9.60
03	8.40	13.80
04	12.60	18.00
05	16.80	22.20
06	21.00	26.40

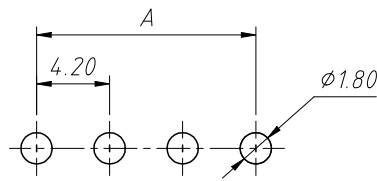
Material:
Housing:PA66,UL 94V-0/2
Contacts:Brass
Finish:Tin-plated or Gold-flash

Electrical Characteristics:
Rated Current:7.0A AC,DC
Voltage rating:600V AC,DC
Temperature range:-25°C ~ + 85°C
Insulator Resistance:1000M Ω Min
Withstanding Voltage:1500V AC/minute
Contact Resistance:20m Ω Max

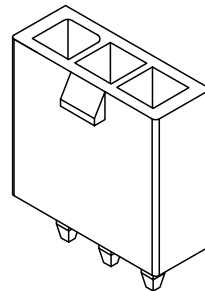


Circuit Size Layout

Order Information:
L-KLS1-4.20-1x02-S
L: RoHS
Pitch:4.20mm
Pins:
1-Single layer
2-Double layer
No. of 02 ~ 06 pins
Type:
S / SW / SB-Straight male pin
R / RW / RB-Right angle male pin



Recommended P.C.B Layout

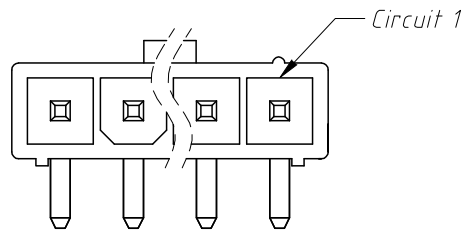


ANGLE TOLERANCE	PROJECTION	Description:
±3°		4.20mm Pitch Mini-Fit JR 5556 5557 5559 5566 5569 Wire To Board Connector
GENERAL TOLERANCE	UNITS	mm
x.x ±0.30	SHEET SIZE	A4
x.xx ±0.20	Draw:	Daniel 2021-01-11
x.xxx ±0.10	Check:	Daniel 2021-01-11



NingBo KLS ELECTRONIC CO.,LTD.

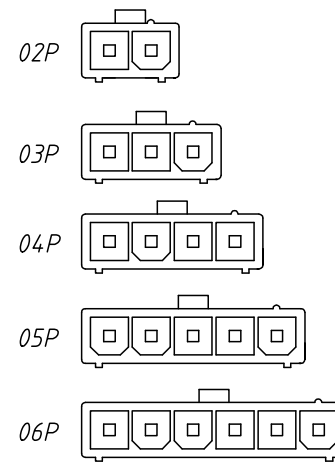
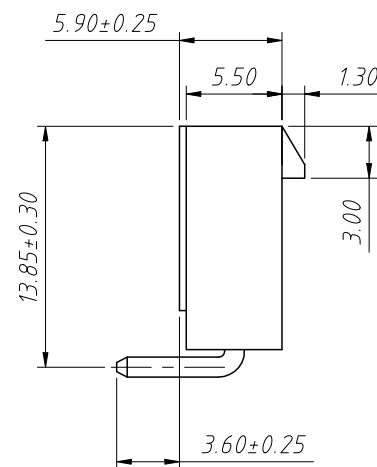
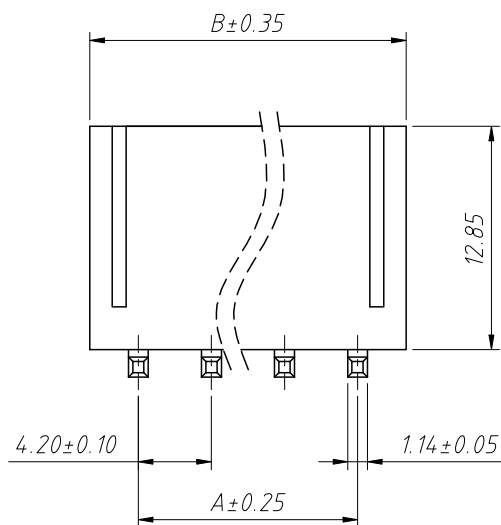
1 RoHS Compliance



Pin	Dimensions(mm)	
	A	B
02	4.20	9.80
03	8.40	14.00
04	12.60	18.20
05	16.80	22.40
06	21.00	26.60

Material:
 Housing:PA66,UL 94V-0/2
 Contacts:Brass
 Finish:Tin-plated or Gold-flash

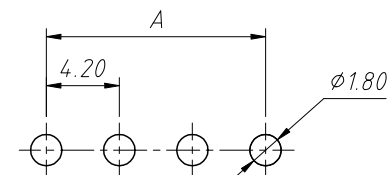
Electrical Characteristics:
 Rated Current:7.0A AC,DC
 Voltage rating:600V AC,DC
 Temperature range:-25°C ~ + 85°C
 Insulator Resistance:1000MΩ Min
 Withstanding Voltage:1500V AC/minute
 Contact Resistance:20mΩ Max



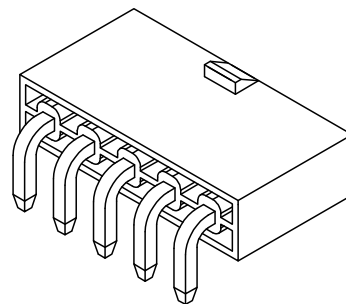
Circuit Size Layout

Order Information:
 L-KLS1-4.20-1x02-R

L: RoHS
 Pitch:4.20mm
 Pins:
 1-Single layer
 2-Double layer
 No.of 02~06 pins
 Type:
 S / SW / SB-Straight male pin
 R / RW / RB-Right angle male pin



Recommended P.C.B Layout

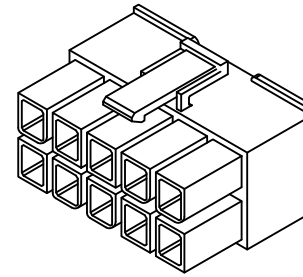
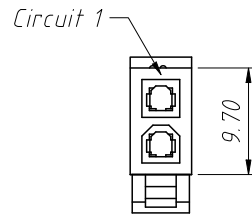
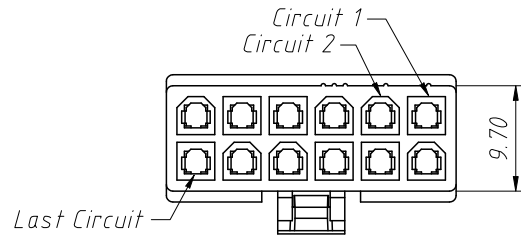


ANGLE TOLERANCE	PROJECTION	Description:
±3°		4.20mm Pitch Mini-Fit JR 5556 5557 5559 5566 5569 Wire To Board Connector
GENERAL TOLERANCE	UNITS	mm
x.x ±0.30	SHEET SIZE	A4
x.xx ±0.20	Draw:	Daniel 2021-01-11
x.xxx ±0.10	Check:	Daniel 2021-01-11
		KLS P/N: L-KLS1-4.20-1x02-R

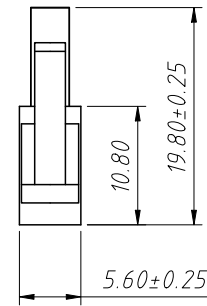
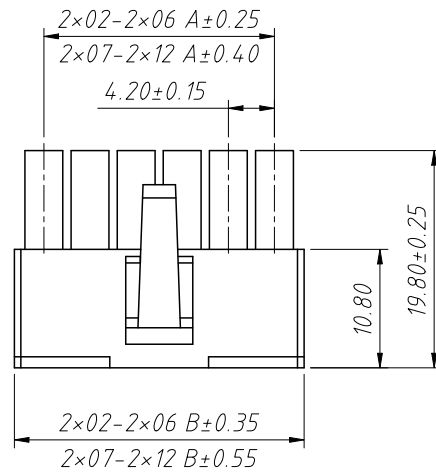


NingBo KLS ELECTRONIC CO.,LTD.

RoHS Compliance



Pin	Dimensions(mm)	
	A	B
2×01	---	5.60
2×02	4.20	9.80
2×03	8.40	14.00
2×04	12.60	18.20
2×05	16.80	22.40
2×06	21.00	26.60
2×07	25.20	30.80
2×08	29.40	35.00
2×09	33.60	39.20
2×10	37.80	43.40
2×11	42.00	47.60
2×12	46.20	51.80

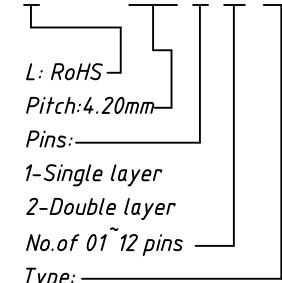


Material:
Housing:PA66,UL 94V-0/2

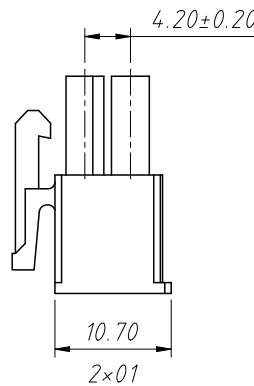
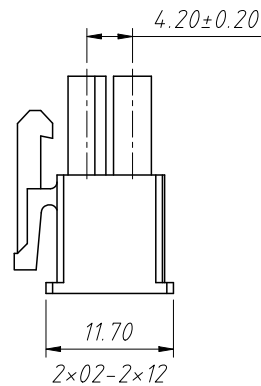
Electrical Characteristics:
Rated Current:7.0A AC,DC
Voltage rating:600V AC,DC
Temperature range:-25°C ~ + 85°C
Insulator Resistance:1000M Ω Min
Withstanding Voltage:1500V AC/minute
Contact Resistance:20m Ω Max

Order Information:

L-KLS1-4.20-2×02-MH



MH / FH -Hosing
MT / FT-Terminal
W1-Without ear

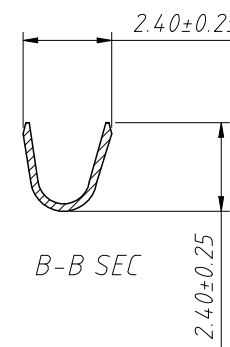
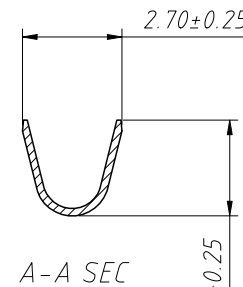
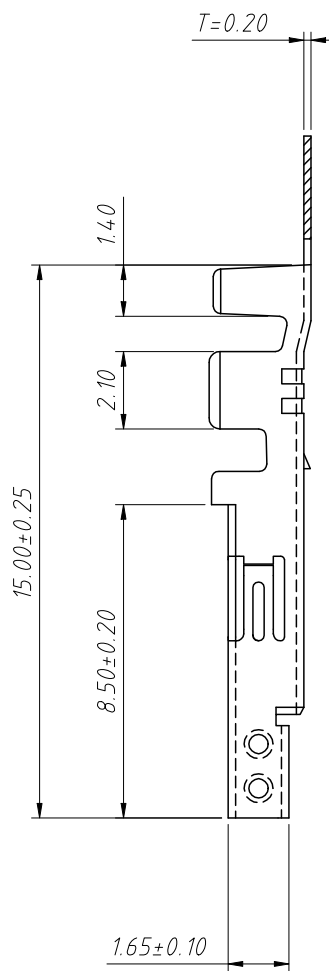
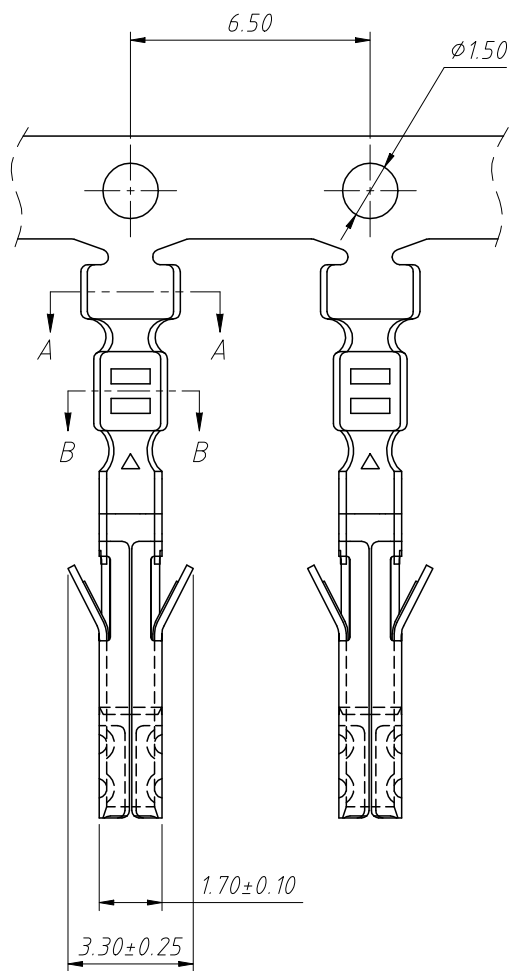


ANGLE TOLERANCE	PROJECTION	Description:
±3°		4.20mm Pitch Mini-Fit JR 5556 5557 5559 5566 5569 Wire To Board Connector
GENERAL TOLERANCE	UNITS	mm
x.x ±0.30	SHEET SIZE	A4
x.xx ±0.20	Draw:	Daniel 2021-01-11
x.xxx ±0.10	Check:	Daniel 2021-01-11
KLS P/N:		L-KLS1-4.20-2×02-MH



NingBo KLS ELECTRONIC CO.,LTD.

RoHS Compliance



Material:
 Terminal: Brass or Phosphor Beccorded
 Finish: Tin Plated
 Applicable wire: AWG#20-#24
 Electrical Characteristics:
 Rated Current: 7.0A AC,DC
 Voltage rating: 600V AC,DC
 Temperature range: $-25^{\circ}\text{C} \sim +85^{\circ}\text{C}$
 Insulator Resistance: $1000\text{M}\Omega$ Min
 Withstanding Voltage: 1500V AC/minute
 Contact Resistance: $20\text{m}\Omega$ Max

Order Information:

L-KLS1-4.20-FT

L: RoHS

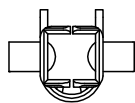
Pitch: 4.20mm

Type:

MH / FH -Hosing

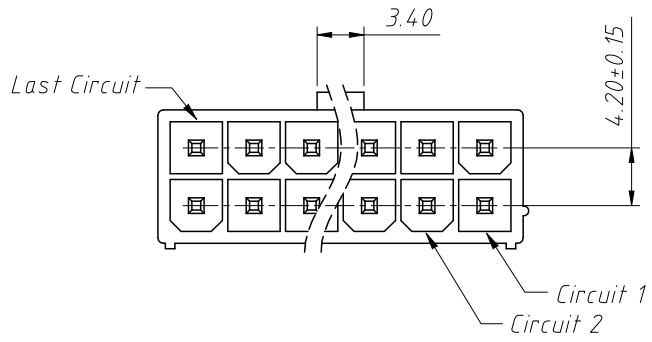
MT / FT -Terminal

W1-Without ear



ANGLE TOLERANCE	PROJECTION	Description:
$\pm 3^{\circ}$		4.20mm Pitch Mini-Fit JR 5556 5557 5559 5566 5569 Wire To Board Connector
GENERAL TOLERANCE	UNITS	mm
x.x ± 0.30	SHEET SIZE	A4
x.xx ± 0.20	Draw:	Daniel 2021-01-11
x.xxx ± 0.10	Check:	Daniel 2021-01-11
		KLS electronics
		NingBo KLS ELECTRONIC CO.,LTD.

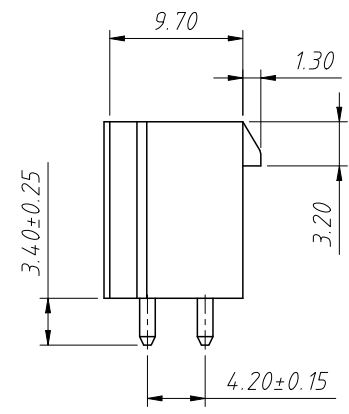
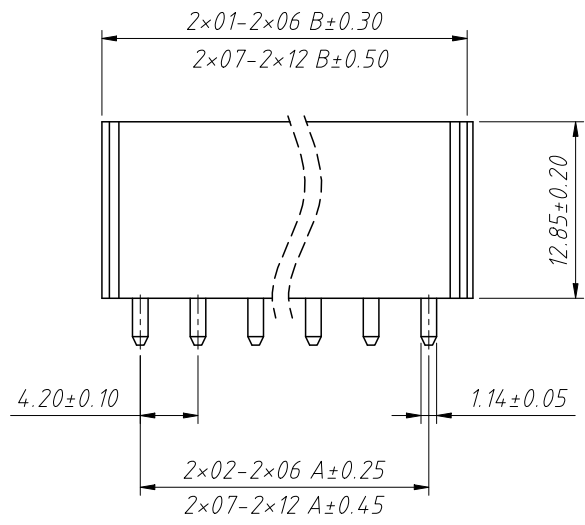
RoHS Compliance



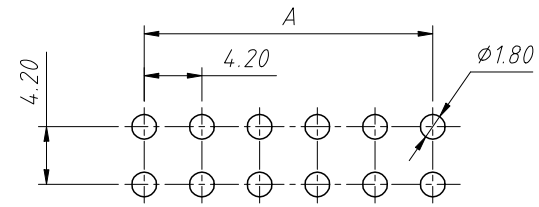
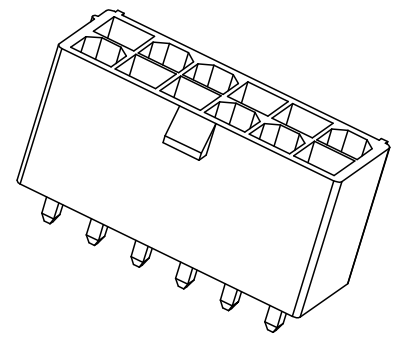
Pin	Dimensions(mm)	
	A	B
2×01	---	5.60
2×02	4.20	9.80
2×03	8.40	14.00
2×04	12.60	18.20
2×05	16.80	22.40
2×06	21.00	26.60
2×07	25.20	30.80
2×08	29.40	35.00
2×09	33.60	39.20
2×10	37.80	43.40
2×11	42.00	47.60
2×12	46.20	51.80

Material:
 Housing: PA66, UL 94V-0/2
 Contacts: Brass
 Finish: Tin-plated or Gold-flash

Electrical Characteristics:
 Rated Current: 7.0A AC, DC
 Voltage rating: 600V AC, DC
 Temperature range: -25°C ~ +85°C
 Insulator Resistance: 1000MΩ Min
 Withstanding Voltage: 1500V AC/minute
 Contact Resistance: 20mΩ Max



Order Information:
 L-KLS1-4.20-2×02-S
 L: RoHS
 Pitch: 4.20mm
 Pins:
 1-Single layer
 2-Double layer
 No. of 01 ~ 12 pins
 Type:
 S / SW / SB - Straight male pin
 R / RW / RB - Right angle male pin

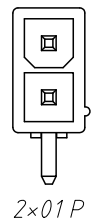
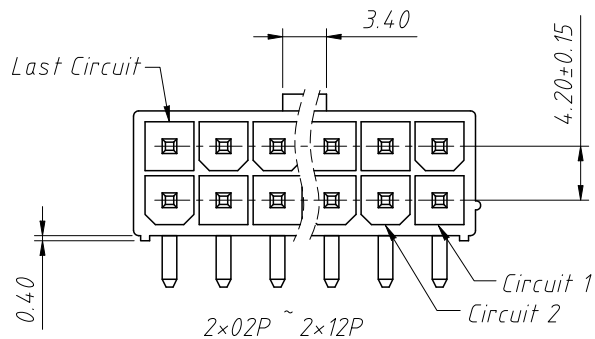


Recommended P.C.B Layout

ANGLE TOLERANCE	PROJECTION	Description:
±3°		4.20mm Pitch Mini-Fit JR 5556 5557 5559 5566 5569 Wire To Board Connector
GENERAL TOLERANCE	UNITS	mm
x.x ±0.30	SHEET SIZE	A4
x.xx ±0.20	Draw:	Daniel 2021-01-11
x.xxx ±0.10	Check:	Daniel 2021-01-11
KLS P/N:		L-KLS1-4.20-2×02-S



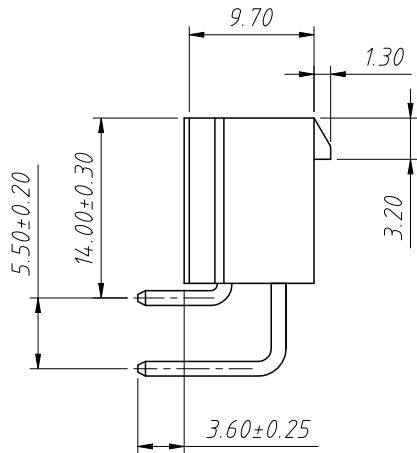
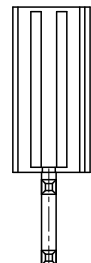
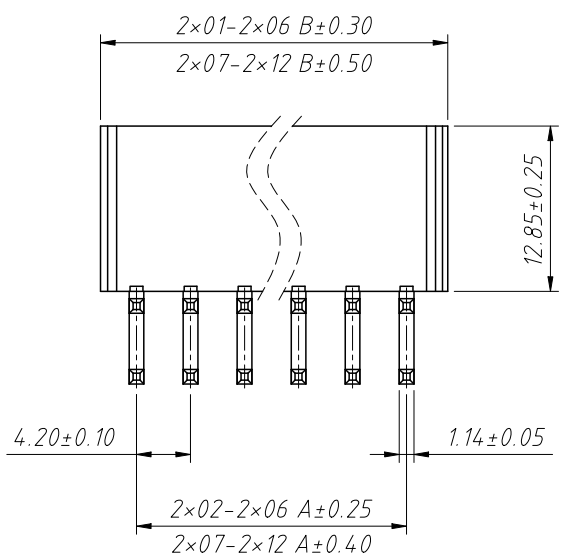
RoHS Compliance



Pin	Dimensions (mm)	
	A	B
2×01	---	5.60
2×02	4.20	9.80
2×03	8.40	14.00
2×04	12.60	18.20
2×05	16.80	22.40
2×06	21.00	26.60
2×07	25.20	30.80
2×08	29.40	35.00
2×09	33.60	39.20
2×10	37.80	43.40
2×11	42.00	47.60
2×12	46.20	51.80

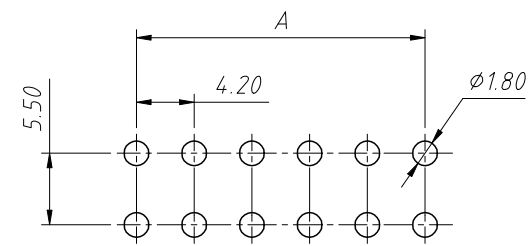
Material:
Housing: PA66, UL 94V-0/2
Contacts: Brass
Finish: Tin-plated or Gold-flash

Electrical Characteristics:
Rated Current: 7.0A AC, DC
Voltage rating: 600V AC, DC
Temperature range: -25°C ~ +85°C
Insulator Resistance: 1000MΩ Min
Withstanding Voltage: 1500V AC/minute
Contact Resistance: 20mΩ Max

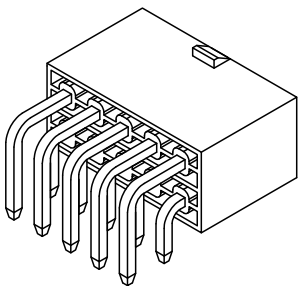


Order Information:
L-KLS1-4.20-2×02-R

L: RoHS
Pitch: 4.20mm
Pins:
1-Single layer
2-Double layer
No. of 01 ~ 12 pins
Type:
S / SW / SB-Straight male pin
R / RW / RB-Right angle male pin



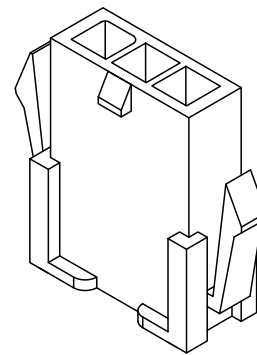
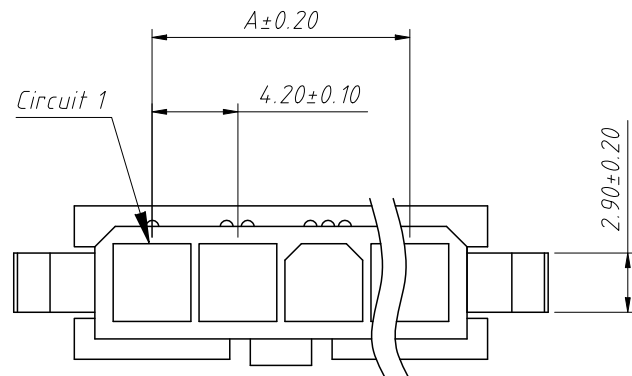
Recommended P.C.B Layout



ANGLE TOLERANCE	PROJECTION	Description:
±3°		4.20mm Pitch Mini-Fit JR 5556 5557 5559 5566 5569 Wire To Board Connector
GENERAL TOLERANCE	UNITS	mm
x.x ±0.30	SHEET SIZE	A4
x.xx ±0.20	Draw:	Daniel 2021-01-11
x.xxx ±0.10	Check:	Daniel 2021-01-11
KLS P/N:		L-KLS1-4.20-2×02-R



RoHS Compliance



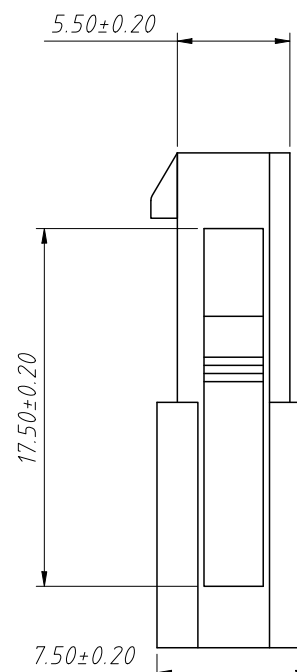
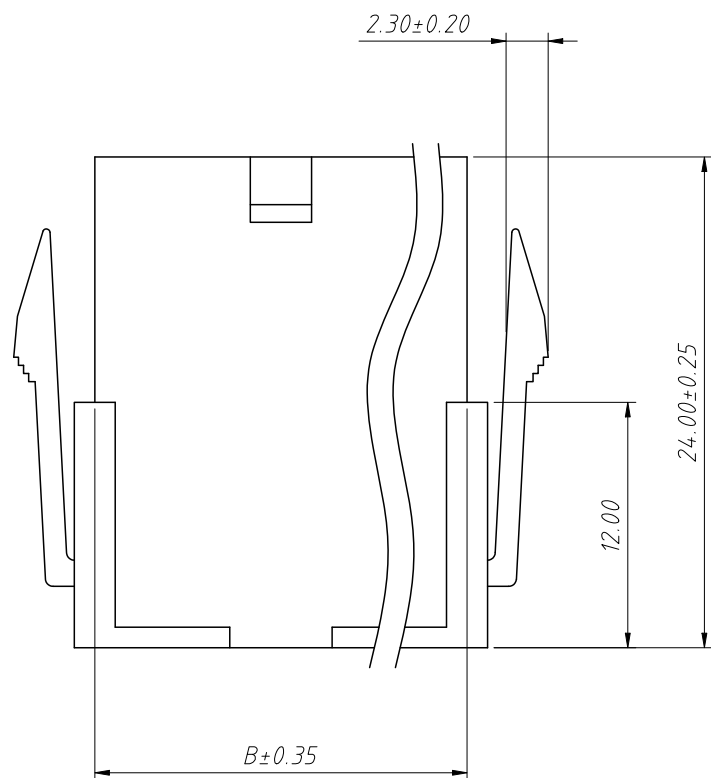
Pin	Dimensions(mm)	
	A	B
02	4.20	9.80
03	8.40	14.00
04	12.60	18.20
05	16.80	22.40
06	21.00	26.60

Material:
Housing:PA66,UL 94 V-0/2

Electrical Characteristics:
Rated Current:7.0A AC,DC
Voltage rating:600V AC,DC
Temperature range:-25°C ~ + 85°C
Insulator Resistance:1000MΩ Min
Withstanding Voltage:1500V AC/minute
Contact Resistance:20mΩ Max

Order Information:
L-KLS1-4.20-1x02-FH

L: RoHS
Pitch:4.20mm
Pins:
1-Single layer
2-Double layer
No.of 02~06 pins
Type:
MH / FH -Hosing
MT / FT-Terminal
W1-Without ear

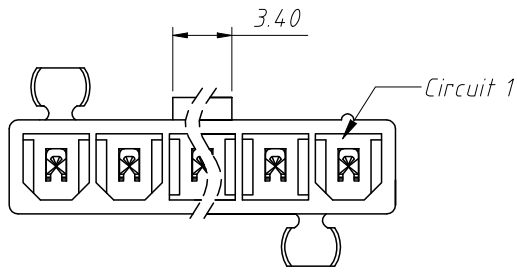


ANGLE TOLERANCE	PROJECTION	Description:	4.20mm Pitch Mini-Fit JR 5556 5557 5559 5566 5569 Wire To Board Connector
±3°			
GENERAL TOLERANCE	UNITS	mm	KLS P/N: L-KLS1-4.20-1x02-FH
x.x ±0.30	SHEET SIZE	A4	
x.xx ±0.20	Draw:	Daniel	2021-01-11
x.xxx ±0.10	Check:	Daniel	2021-01-11



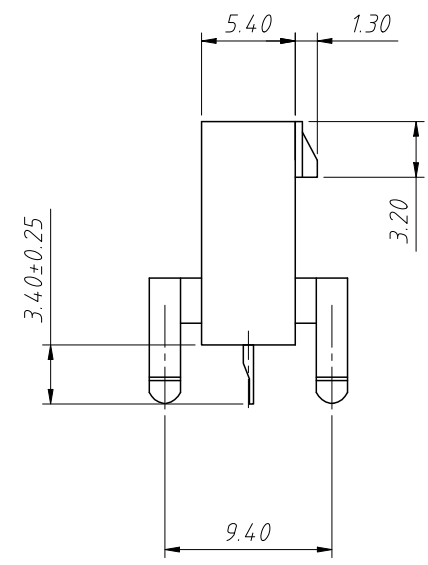
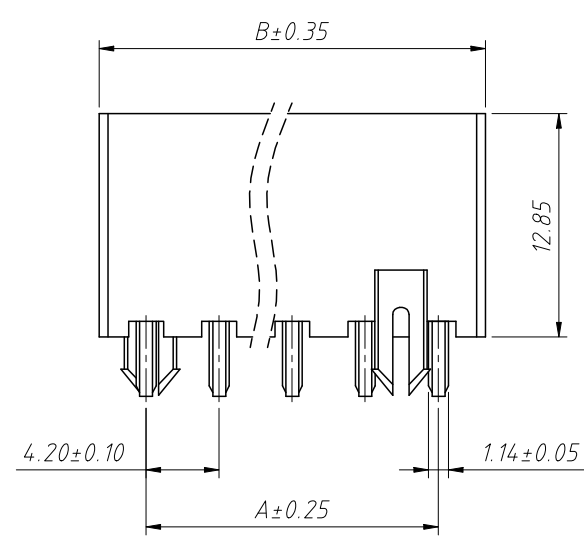
NingBo KLS ELECTRONIC CO.,LTD.

RoHS Compliance

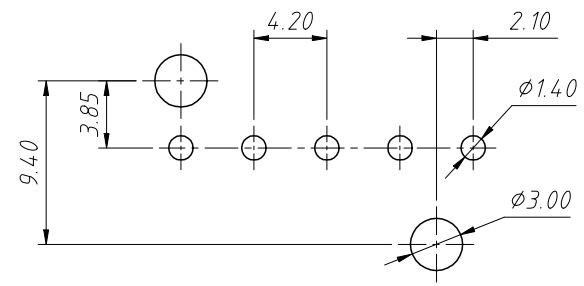


Material:
 Housing:PA66,UL 94V-0/2
 Contacts:Brass
 Finish:Tin-plated or Gold-flash

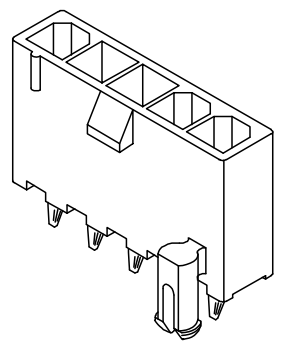
Electrical Characteristics:
 Rated Current:7.0A AC,DC
 Voltage rating:600V AC,DC
 Temperature range:-25°C ~ + 85°C
 Insulator Resistance:1000M Ω Min
 Withstanding Voltage:1500V AC/minute
 Contact Resistance:20m Ω Max



Pin	Dimensions(mm)	
	A	B
03	8.40	13.80
04	12.60	18.00
05	16.80	22.20
06	21.00	26.40



Recommended P.C.B Layout

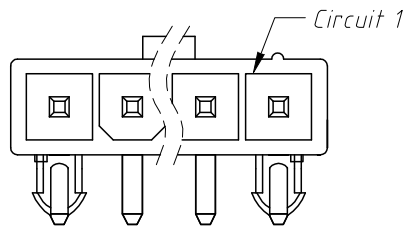


Order Information:
L-KLS1-4.20-1x02-SW
 L: RoHS
 Pitch:4.20mm
 Pins:
 1-Single layer
 2-Double layer
 No.of 02~06 pins
 Type:
 S / SW / SB-Straight male pin
 R / RW / RB-Right angle male pin

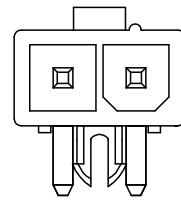
ANGLE TOLERANCE	PROJECTION	Description:	4.20mm Pitch Mini-Fit JR 5556 5557 5559 5566 5569 Wire To Board Connector
±3°			
GENERAL TOLERANCE	UNITS	mm	KLS P/N: L-KLS1-4.20-1x02-SW
x.x ±0.30	SHEET SIZE	A4	
x.xx ±0.20	Draw:	Daniel	2021-01-11
x.xxx ±0.10	Check:	Daniel	2021-01-11

NingBo KLS ELECTRONIC CO.,LTD.

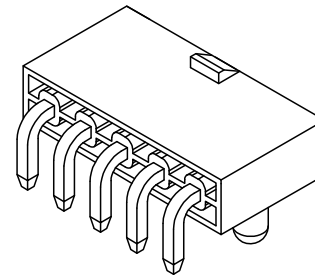
RoHS Compliance



03~06P



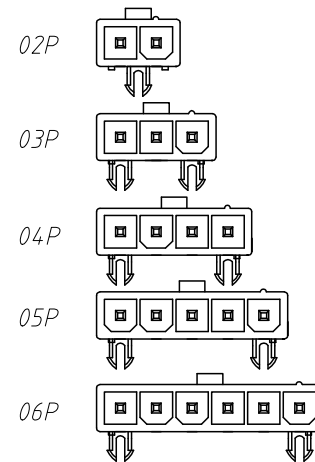
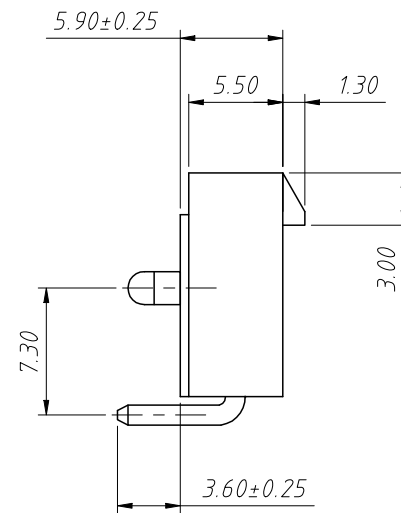
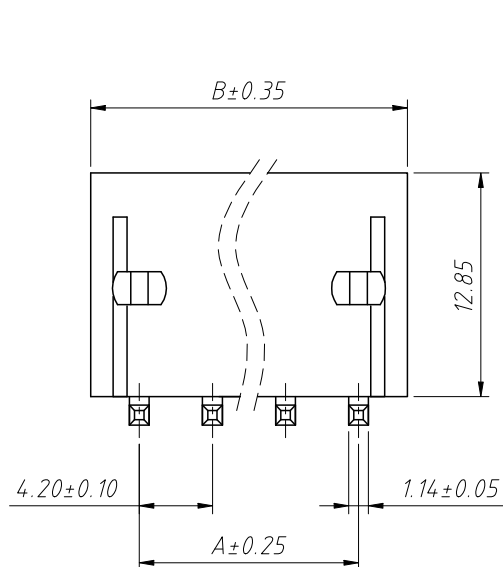
02P



Material:
Housing:PA66,UL 94V-0/2
Contacts:Brass
Finish:Tin-plated or Gold-flash

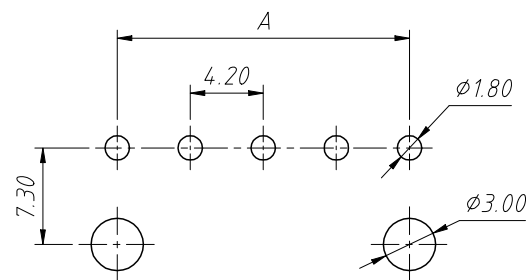
Electrical Characteristics:
Rated Current:7.0A AC,DC
Voltage rating:600V AC,DC
Temperature range:-25°C ~ + 85°C
Insulator Resistance:1000MΩ Min
Withstanding Voltage:1500V AC/minute
Contact Resistance:20mΩ Max

Pin	Dimensions(mm)	
	A	B
02	4.20	9.80
03	8.40	14.00
04	12.60	18.20
05	16.80	22.40
06	21.00	26.60

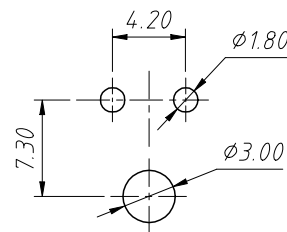


Circuit Size Layout

Order Information:
L-KLS1-4.20-1x02-RW
L: RoHS
Pitch:4.20mm
Pins:
1-Single layer
2-Double layer
No. of 02~06 pins
Type:
S / SW / SB-Straight male pin
R / RW / RB-Right angle male pin



03~06P
P.C.B Layout



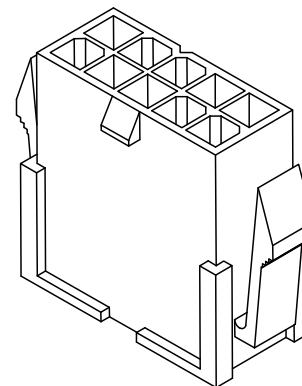
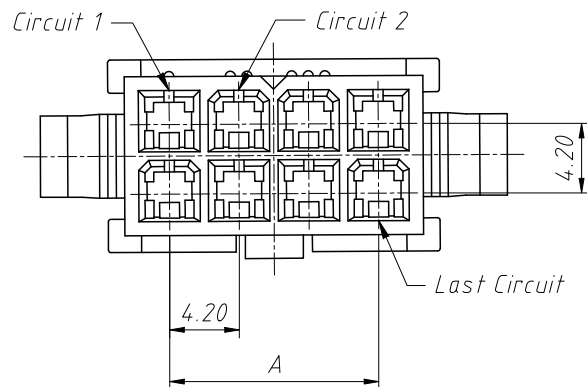
02P
P.C.B Layout

ANGLE TOLERANCE	PROJECTION	Description:
±3°		4.20mm Pitch Mini-Fit JR 5556 5557 5559 5566 5569 Wire To Board Connector
GENERAL TOLERANCE	UNITS	mm
x.x ±0.30	SHEET SIZE	A4
x.xx ±0.20	Draw:	Daniel 2021-01-11
x.xxx ±0.10	Check:	Daniel 2021-01-11
		L-KLS1-4.20-1x02-RW

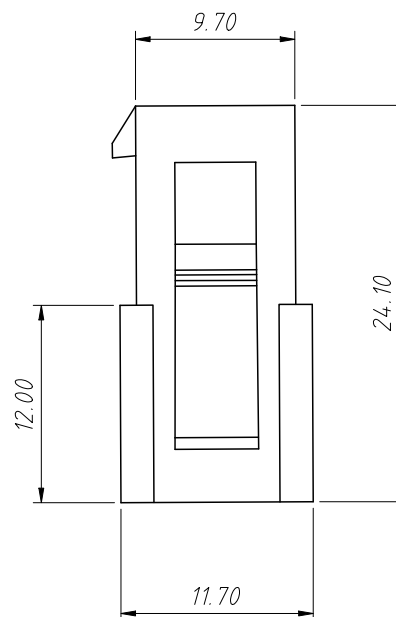
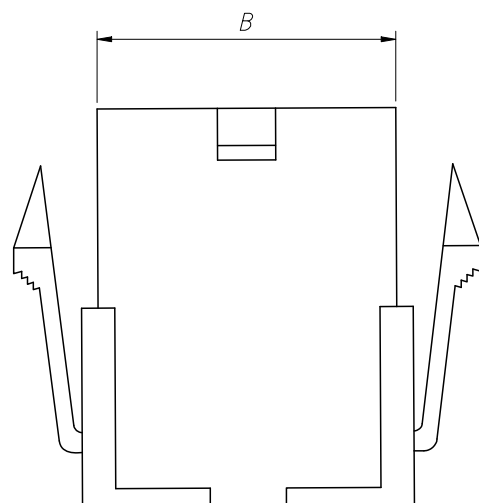


NingBo KLS ELECTRONIC CO.,LTD.

RoHS Compliance



Pin	Dimensions(mm)	
	A	B
2×01	---	5.60
2×02	4.20	9.80
2×03	8.40	14.00
2×04	12.60	18.20
2×05	16.80	22.40
2×06	21.00	26.60
2×07	25.20	30.80
2×08	29.40	35.00
2×09	33.60	39.20
2×10	37.80	43.40
2×11	42.00	47.60
2×12	46.20	51.80



Material:

Housing:PA66,UL94V-0/2

Electrical Characteristics:

Rated Current:7.0A AC,DC
 Voltage rating:600V AC,DC
 Temperature range:-25°C ~ + 85°C
 Insulator Resistance:1000M Ω Min
 Withstanding Voltage:1500V AC/minute
 Contact Resistance:20m Ω Max

Order Information:

L-KLS1-4.20-2×02-FH

L: RoHS

Pitch:4.20mm

Pins:

1-Single layer

2-Double layer

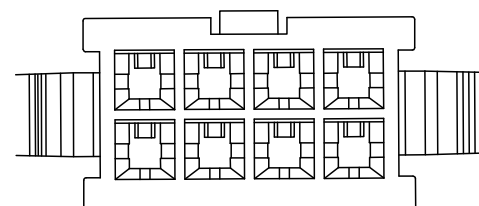
No.of 01~12 pins

Type:

MH / FH -Hosing

MT / FT-Terminal

W1-Without ear

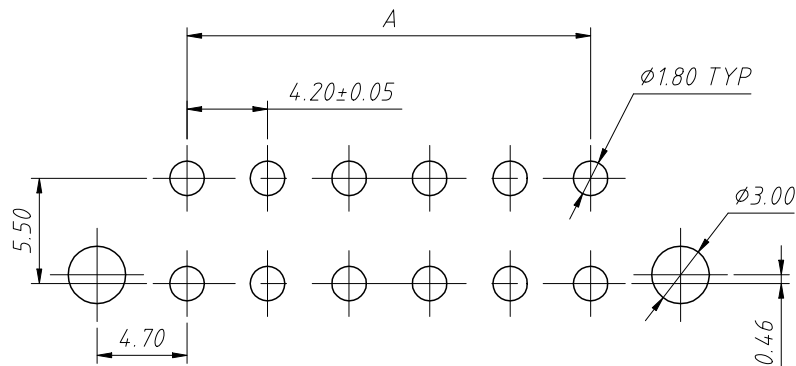
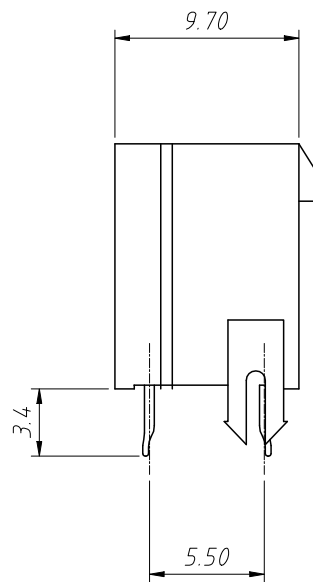
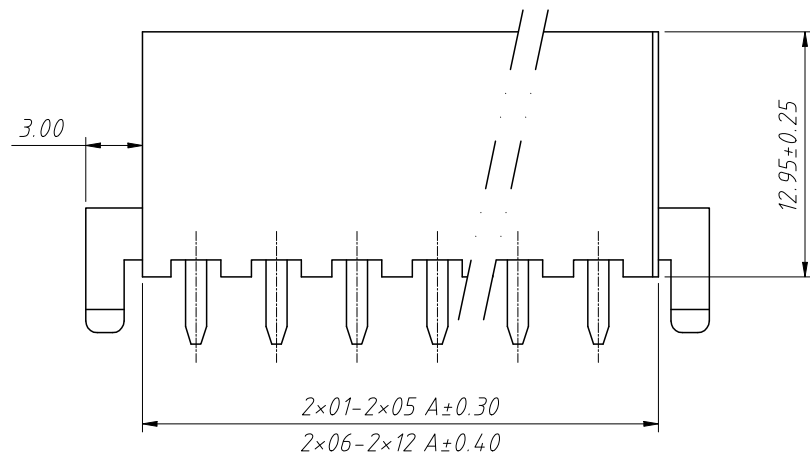
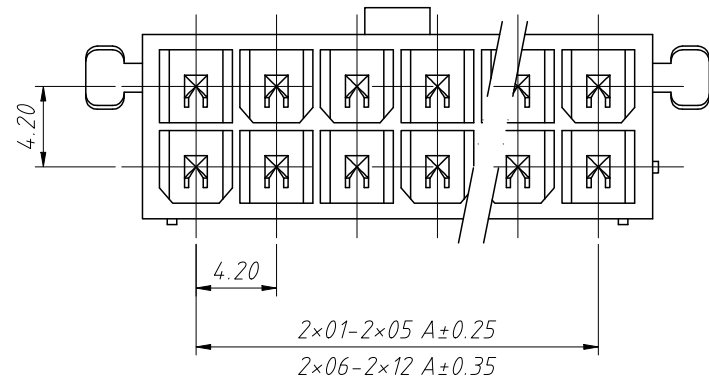


ANGLE TOLERANCE	PROJECTION	Description:
$\pm 3^\circ$		4.20mm Pitch Mini-Fit JR 5556 5557 5559 5566 5569 Wire To Board Connector
GENERAL TOLERANCE	UNITS	mm
x.x ± 0.30	SHEET SIZE	A4
x.xx ± 0.20	Draw:	Daniel 2021-01-11
x.xxx ± 0.10	Check:	Daniel 2021-01-11



NingBo KLS ELECTRONIC CO.,LTD.

RoHS Compliance



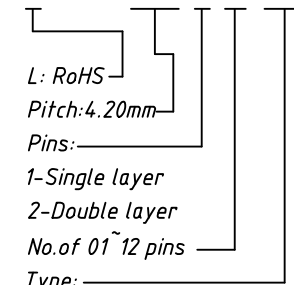
Recommended P.C.B Layout

Material:
Housing:PA66,UL 94 V-2
Contacts:Brass
Finish:Tin-plated or Nickel

Electrical Characteristics:
Rated Current:9.0A AC,DC
Voltage rating:600V AC,DC
Temperature range:-25°C ~ + 85°C
Insulator Resistance:1000MΩ Min
Withstanding Voltage:1500V AC/minute
Contact Resistance:10mΩ Max

Order Information:

L-KLS1-4.20-2x02-SW



S / SW / SB-Straight male pin

R / RW / RB-Right angle male pin

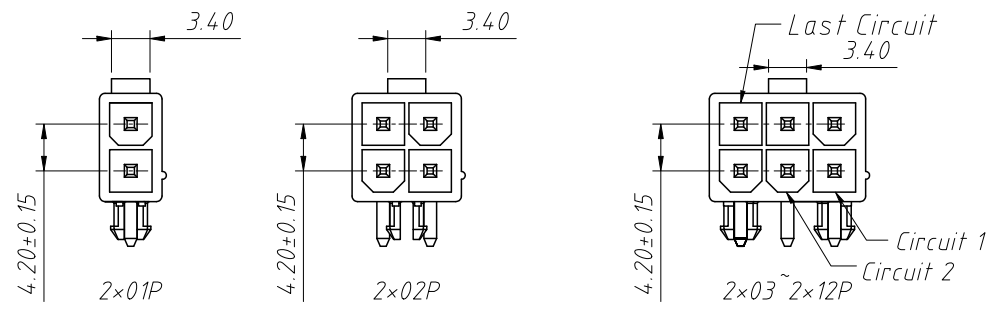
Pin	Dimensions(mm)	
	A	B
2x01	---	5.60
2x02	4.20	9.80
2x03	8.40	14.00
2x04	12.60	18.20
2x05	16.80	22.40
2x06	21.00	26.60
2x07	25.20	30.80
2x08	29.40	35.00
2x09	33.60	39.20
2x10	37.80	43.40
2x11	42.00	47.60
2x12	46.20	51.80

ANGLE TOLERANCE	PROJECTION	Description:
±3°		4.20mm Pitch Mini-Fit JR 5556 5557 5559 5566 5569 Wire To Board Connector
GENERAL TOLERANCE	UNITS	mm
x.x ±0.30	SHEET SIZE	A4
x.xx ±0.20	Draw:	Daniel 2021-01-11
x.xxx ±0.10	Check:	Daniel 2021-01-11
		KLS P/N: L-KLS1-4.20-2x02-SW



NingBo KLS ELECTRONIC CO.,LTD.

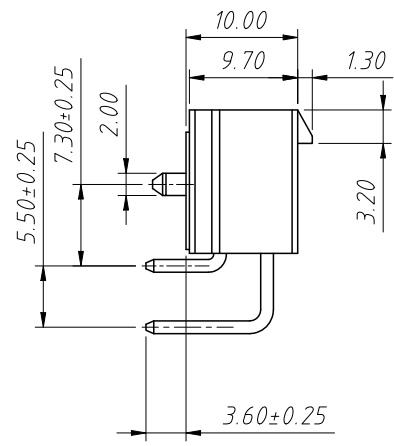
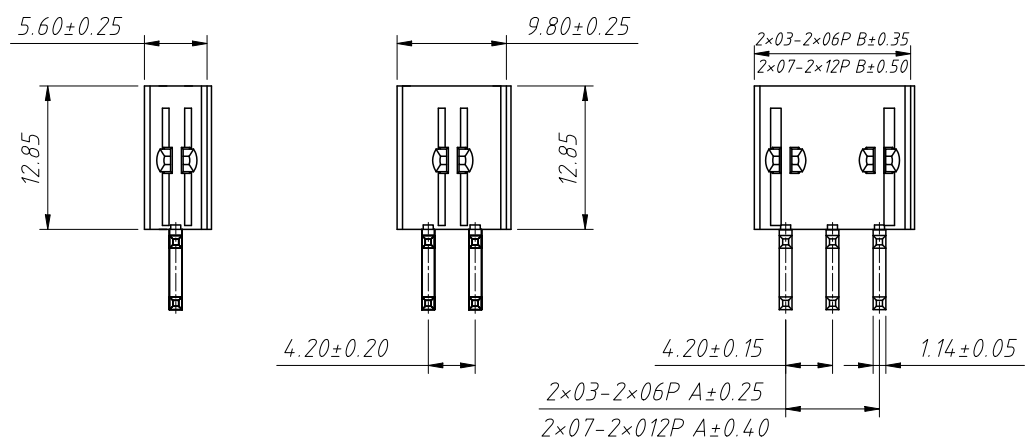
RoHS Compliance



Pin	Dimensions(mm)	
	A	B
2x01	---	5.60
2x02	4.20	9.80
2x03	8.40	14.00
2x04	12.60	18.20
2x05	16.80	22.40
2x06	21.00	26.60
2x07	25.20	30.80
2x08	29.40	35.00
2x09	33.60	39.20
2x10	37.80	43.40
2x11	42.00	47.60
2x12	46.20	51.80

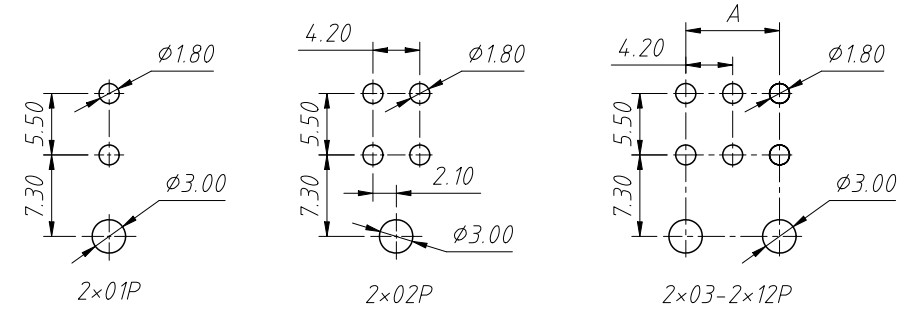
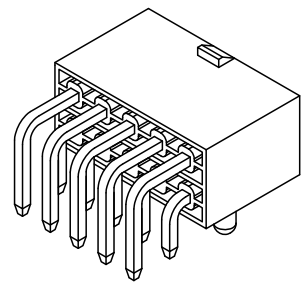
Material:
 Housing:PA66,UL 94 V-2
 Contacts:Brass
 Finish:Tin-plated or Nickel

Electrical Characteristics:
 Rated Current:7.0A AC,DC
 Voltage rating:600V AC,DC
 Temperature range:-25°C ~ + 85°C
 Insulator Resistance:1000MΩ Min
 Withstanding Voltage:1500V AC/minute
 Contact Resistance:20mΩ Max



Order Information:
 L-KLS1-4.20-2x02-RW

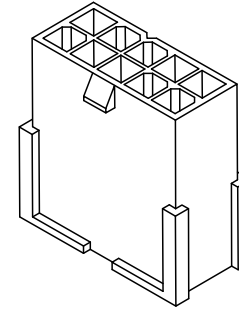
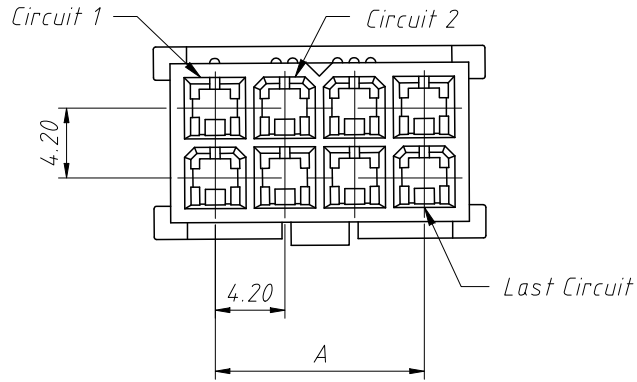
L: RoHS
 Pitch:4.20mm
 Pins:
 1-Single layer
 2-Double layer
 No. of 01~12 pins
 Type:
 S / SW / SB-Straight male pin
 R / RW / RB-Right angle male pin



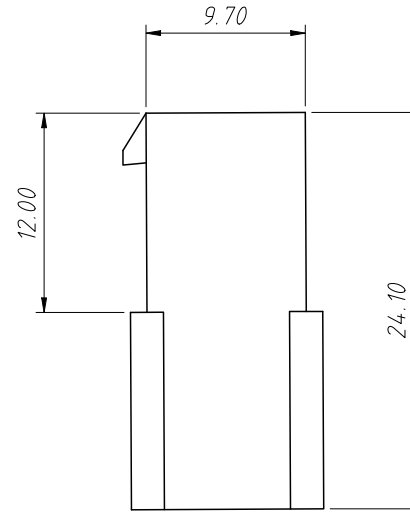
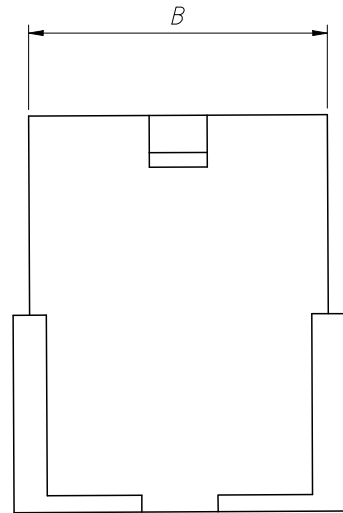
PCB Layout:Component Side
 Recommended PCB Thickness 1.78MAX

ANGLE TOLERANCE	PROJECTION	Description:
±3°		4.20mm Pitch Mini-Fit JR 5556 5557 5559 5566 5569 Wire To Board Connector
GENERAL TOLERANCE	UNITS	mm
x.x	±0.30	SHEET SIZE
x.xx	±0.20	Draw:
x.xxx	±0.10	Check:
KLS P/N:		L-KLS1-4.20-2x02-RW
KLS ELECTRONICS		NingBo KLS ELECTRONIC CO.,LTD.

RoHS Compliance



Pin	Dimensions(mm)	
	A	B
2x01	---	5.60
2x02	4.20	9.80
2x03	8.40	14.00
2x04	12.60	18.20
2x05	16.80	22.40
2x06	21.00	26.60
2x07	25.20	30.80
2x08	29.40	35.00
2x09	33.60	39.20
2x10	37.80	43.40
2x11	42.00	47.60
2x12	46.20	51.80



Material:

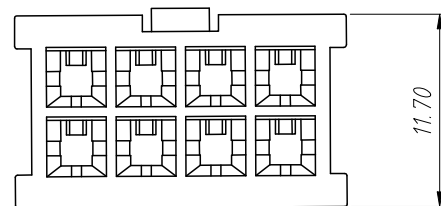
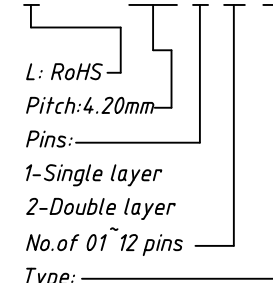
Housing:PA66,UL94V-0/2

Electrical Characteristics:

Rated Current:7.0A AC,DC
 Voltage rating:600V AC,DC
 Temperature range:-25°C ~ + 85°C
 Insulator Resistance:1000M Ω Min
 Withstanding Voltage:1500V AC/minute
 Contact Resistance:20m Ω Max

Order Information:

L-KLS1-4.20-2x02-W1

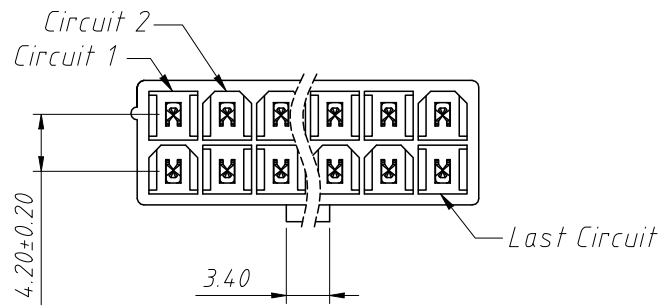


ANGLE TOLERANCE	PROJECTION	Description:
$\pm 3^\circ$		4.20mm Pitch Mini-Fit JR 5556 5557 5559 5566 5569 Wire To Board Connector
GENERAL TOLERANCE	UNITS	mm
x.x ± 0.30	SHEET SIZE	A4
x.xx ± 0.20	Draw:	Daniel 2021-01-11
x.xxx ± 0.10	Check:	Daniel 2021-01-11



NingBo KLS ELECTRONIC CO.,LTD.

RoHS Compliance



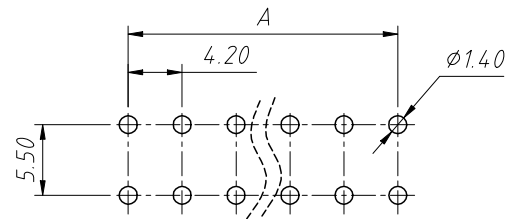
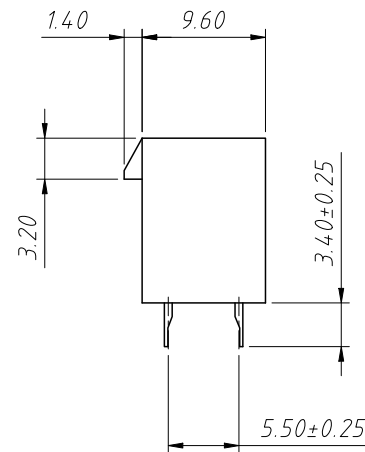
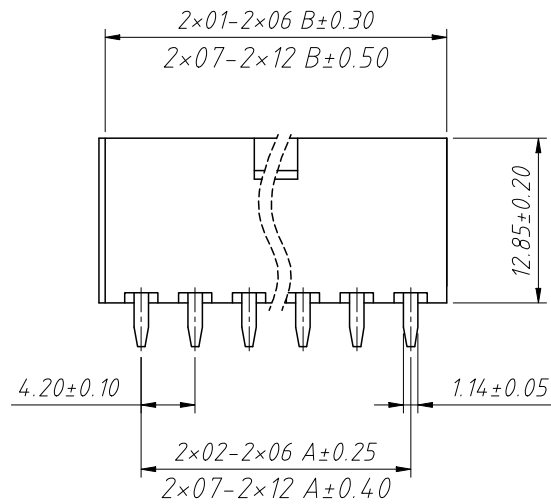
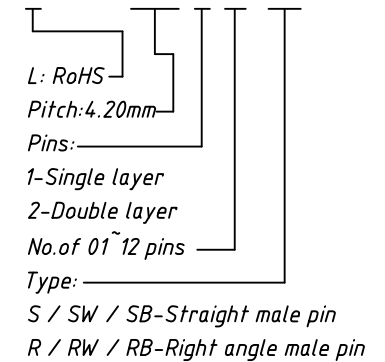
Pin	Dimensions(mm)	
	A	B
2×01	---	5.60
2×02	4.20	9.80
2×03	8.40	14.00
2×04	12.60	18.20
2×05	16.80	22.40
2×06	21.00	26.60
2×07	25.20	30.80
2×08	29.40	35.00
2×09	33.60	39.20
2×10	37.80	43.40
2×11	42.00	47.60
2×12	46.20	51.80

Material:
Housing: PA66, UL 94V-0/2
Contacts: Brass
Finish: Tin-plated or Gold-flash

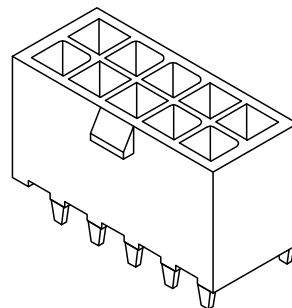
Electrical Characteristics:
Rated Current: 7.0A AC, DC
Voltage rating: 600V AC, DC
Temperature range: -25°C ~ +85°C
Insulator Resistance: 1000MΩ Min
Withstanding Voltage: 1500V AC/minute
Contact Resistance: 20mΩ Max

Order Information:

L-KLS1-4.20-2×02-SB



Recommended P.C.B Layout

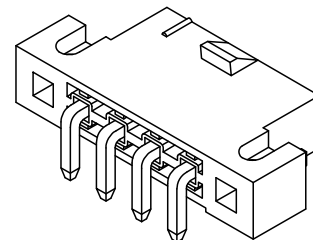
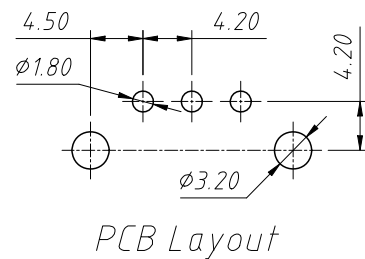
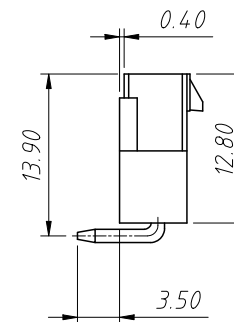
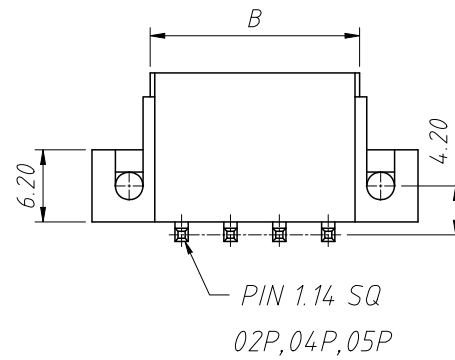
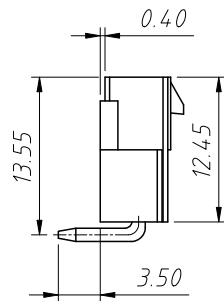
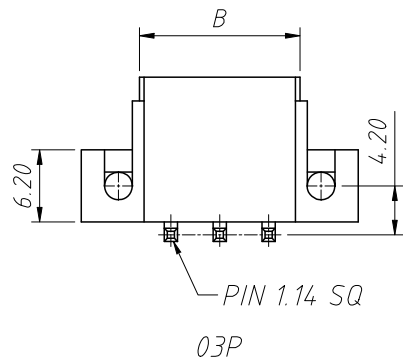
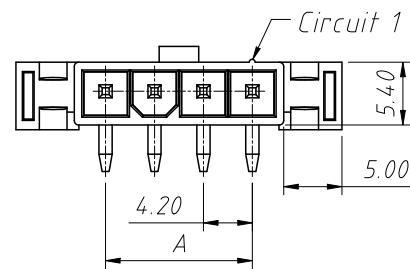
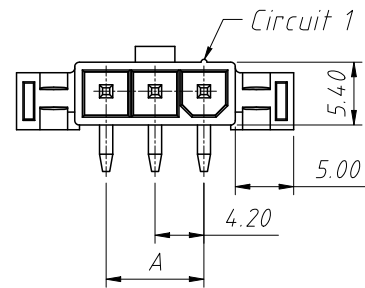


ANGLE TOLERANCE	PROJECTION	Description:
±3°		4.20mm Pitch Mini-Fit JR 5556 5557 5559 5566 5569 Wire To Board Connector
GENERAL TOLERANCE	UNITS	mm
x.x ±0.30	SHEET SIZE	A4
x.xx ±0.20	Draw:	Daniel 2021-01-11
x.xxx ±0.10	Check:	Daniel 2021-01-11
		KLS P/N: L-KLS1-4.20-2×02-SB



NingBo KLS ELECTRONIC CO.,LTD.

RoHS Compliance



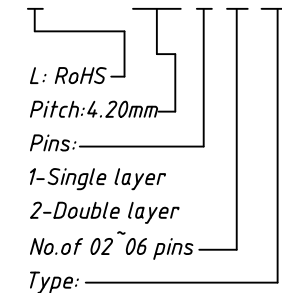
Material:
Housing:PA66,UL 94V-0/2
Contacts:Brass
Finish:Tin-plated or Gold-flash

Electrical Characteristics:
Rated Current:7.0A AC,DC
Voltage rating:600V AC,DC
Temperature range:-25°C ~ + 85°C
Insulator Resistance:1000M Ω Min
Withstanding Voltage:1500V AC/minute
Contact Resistance:20m Ω Max

Pin	Dimensions(mm)	
	A	B
02	4.20	9.60
03	8.40	13.80
04	12.60	18.00
05	16.80	22.20
06	21.00	26.40

Order Information:

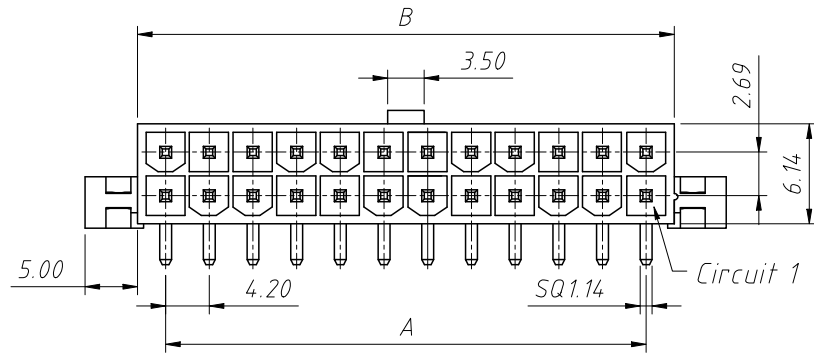
L-KLS1-4.20-1x02-RB



Type:
S / SW / SB-Straight male pin
R / RW / RB-Right angle male pin

ANGLE TOLERANCE	PROJECTION	Description:
$\pm 3^\circ$		4.20mm Pitch Mini-Fit JR 5556 5557 5559 5566 5569 Wire To Board Connector
GENERAL TOLERANCE	UNITS	mm
x.x	± 0.30	
x.xx	± 0.20	
x.xxx	± 0.10	
KLS P/N:	L-KLS1-4.20-1x02-RB	
NingBo KLS ELECTRONIC CO.,LTD.		

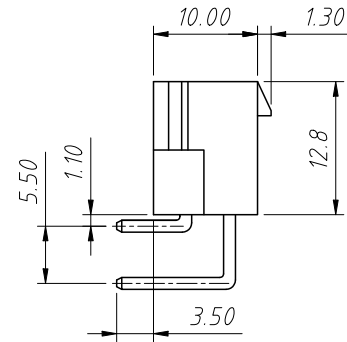
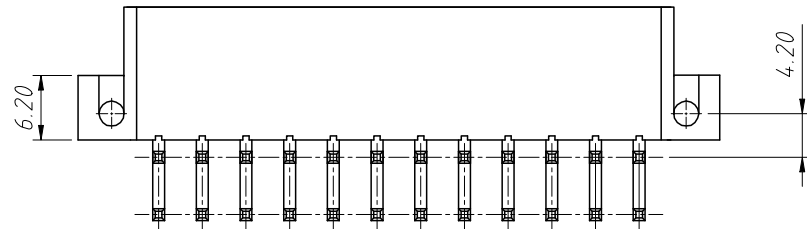
RoHS Compliance



Pin	Dimensions(mm)	
	A	B
2×01	---	5.40
2×02	4.20	9.60
2×03	8.40	13.80
2×04	12.60	18.00
2×05	16.80	22.20
2×06	21.00	26.40
2×07	25.20	30.60
2×08	29.40	34.80
2×09	33.60	39.00
2×10	37.80	43.20
2×11	42.00	47.40
2×12	46.20	51.60

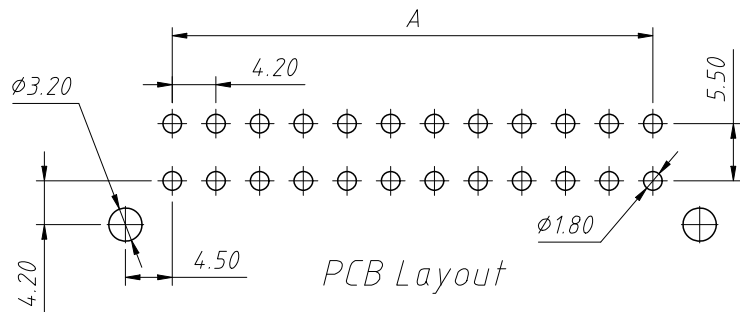
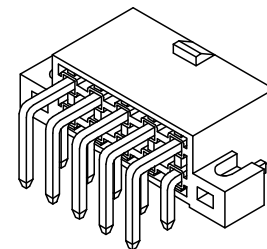
Material:
Housing:PA66,UL 94V-0/2
Contacts:Brass
Finish:Tin-plated or Gold-flash

Electrical Characteristics:
Rated Current:7.0A AC,DC
Voltage rating:600V AC,DC
Temperature range:-25°C ~ + 85°C
Insulator Resistance:1000M Ω Min
Withstanding Voltage:1500V AC/minute
Contact Resistance:20m Ω Max



Order Information:
L-KLS1-4.20-2×02-RB

L: RoHS
Pitch:4.20mm
Pins:
1-Single layer
2-Double layer
No.of 01~12 pins
Type:
S / SW / SB-Straight male pin
R / RW / RB-Right angle male pin



PCB Layout

ANGLE TOLERANCE	PROJECTION	Description:
$\pm 3^\circ$		4.20mm Pitch Mini-Fit JR 5556 5557 5559 5566 5569 Wire To Board Connector
GENERAL TOLERANCE	UNITS	mm
x.x	± 0.30	SHEET SIZE A4
x.xx	± 0.20	Draw: Daniel 2021-01-11
x.xxx	± 0.10	Check: Daniel 2021-01-11
KLS P/N:		L-KLS1-4.20-2×02-RB



NingBo KLS ELECTRONIC CO.,LTD.