

## Data sheet

Commercial Art.No.: 99.578.0000.7

Device connector RST25i5S6S1 M01V BG03

Device connector, standard M25, RST25i5, 5 pole, male, screw connection, 250V/400V 3x25A (with 6mm<sup>2</sup>/AWG10), color of coding: concrete gray, color of nut: black



Commercial Art.No.	99.578.0000.7
EAN	4049088167577
Order Unit	1

Certificates / Approvals



## Technical data

### General

Rated current	25 A
Rated voltage	250 V / 400 V
Pollution degree	3
Rated impulse voltage	4 kV
Lockable	self-locking (unlocking by tool)
Color of coding/ contact carrier	concrete grey
Marking of poles	L, N, PE, 1, 2
Color of separate adapter (if present)	black

### Connection Data

Connection cross section solid mm <sup>2</sup> max.	4 mm <sup>2</sup>
Connection cross section solid mm <sup>2</sup> min.	1.5 mm <sup>2</sup>
Connection cross section solid AWG min.	18 AWG
Connection cross section solid AWG max.	14 AWG
Connection cross section fine stranded mm <sup>2</sup> max.	6 mm <sup>2</sup>
Connection cross section fine stranded mm <sup>2</sup> min.	1.5 mm <sup>2</sup>
Terminations per pole	1
Wire strip length	8 mm

### Model

Model	male
Connection type	screw connection
Connecting thread metric	M25
Angle of plug	straight

Degree of protection (IP)	IP66/68 (3m;2h) /IP69
Thickness of housings (electrical device) 2	0.5 mm
Thickness of housings (electrical device)	8 mm

#### Material

Housing material	Polyamide
halogen free	yes
Contact material	CuZn
Fire load	0.127 kWh
Insulation components continuous temperature	100 °C
Surface finish	Silver-plated

#### Dimensions

Length	49.4 mm
Width	35 mm
Height	35 mm

#### Classification

ECLASS 11	
ECLASS 8.1	27440602
ETIM 7.0	EC002566
ETIM 6.0	EC002566
ETIM 5.0	EC002566
ETIM 4.0	EC002566

#### Note

Note	RST® terminals with screw clamping allow the connection of conductors without special preparation (without ferrules) according to EN 60999-1.; Positioning realised with flattened thread
------	---

#### Product compliance

ROHS conformity status	Compliant/Exempted
ROHS exceptions	III-6(c)
REACH-SVHC conformity status	Duty-To-Declare
REACH-SVHC substances	Lead
REACH-SVHC CAS numbers	7439-92-1

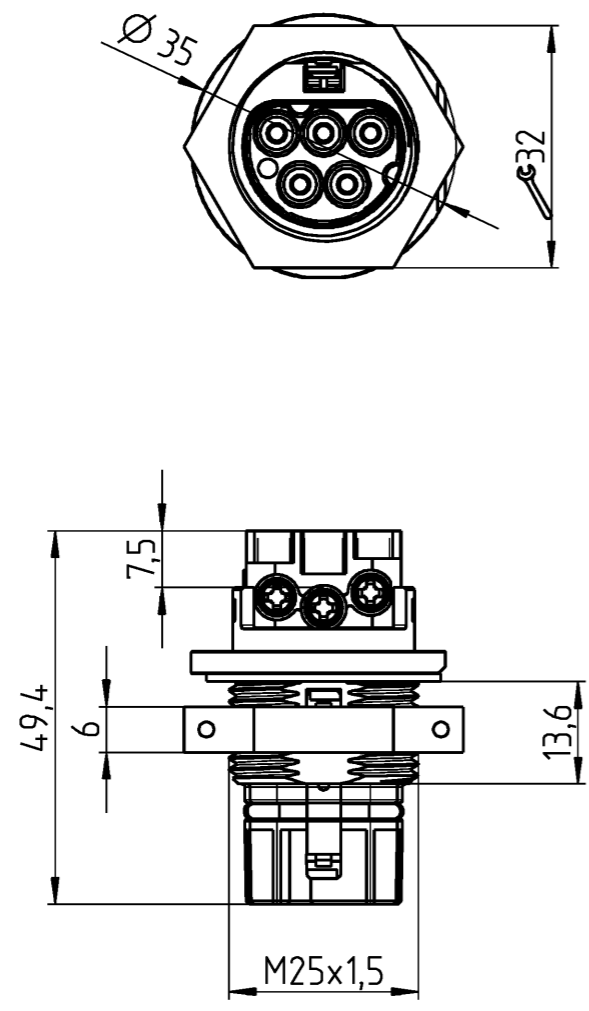
#### Fits with

Commercial Art.No.:	Article-type description:	Description:
99.575.0000.7	Connector RST25I5S6B1 ZR3SV BG03	RST25i5 connector, 5 pole, female, screw connection, application 250/400V with PE, 25A, for cable diameters 13-18mm, coding color concrete grey, color of housing black

A  
B  
C  
D  
E  
F

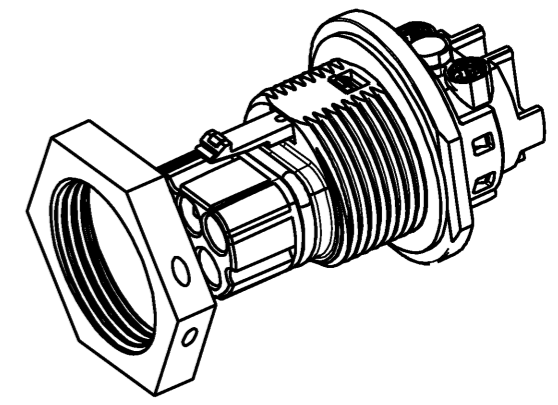
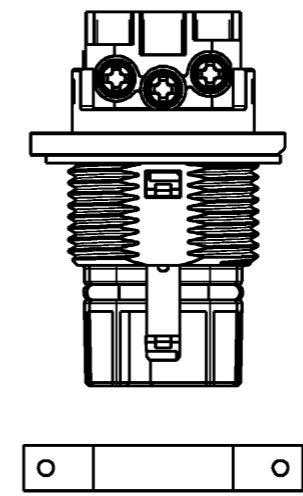
These dimensions will be especially checked at delivery  
Only inspection dimensions  
With /E marked dimensions are only valid for internal use

Diese Maße werden bei Abnahme besonders geprüft  
Ausschließlich Prüfmaße  
Mit /E gekennzeichnete Maße sind nur für interne Zwecke gültig



Öffnungsmaßbild siehe 96.031.1053.1 14K  
opening dimension see 96.031.1053.1 14K

Auslieferungszustand  
delivery status



Verpackungseinheit je 100 Stück  
packaging unit per 100

Weitergabe sowie Vervielfältigung dieses Dokuments, Verwertung und Mitteilung seines Inhalts sind verboten, soweit nicht ausdrücklich gestattet. Die Reproduktion, Distribution und Utilization of this document as well as the communication of its contents to others without express authorization is prohibited.

Tolerierung Size ISO 14405 (E) / Tolerance system Size ISO 14405 (E). (This ISO-standard describes the envelope principle. According to the envelope principle the deviations of form and parallelism are limited by the size tolerances).		ja/yes <input checked="" type="checkbox"/> Stoffverbots- und Deklarationsliste nach WN 5020.010 ist einzuhalten. Conformity with Wieland document WN 5020.010 e (list of prohibited / declarable hazardous substances) to be declared!	
Freitoleranz nach General tolerance		CAD - Zeichnung, keine manuellen Änderungen CAD - drawing, no manual modifications allowed	1. Verwendung: First Use:
Blatt: Sheet: 1 von 1 of		Zeichnung Nr. / Drawing No. 99.578.0000.7 01K	
Index		Index	
/		Werkstoff / Material	
/		Tag/Date	
/		Name	
/		Maßstab / Scale	
/		gezeichnet drawn	
/		24.11.2016 Duetsch T.	
/		geprüft checked	
/		Normgepr. Stand. check	
/		Maße in mm / Dimensions are in mm	
/		Vol. mm <sup>3</sup> / fl. / Srf. mm <sup>2</sup>	
/		Ersatz für / Replacement for:	
/		Type	
/		Benennung/Title	
/		MALE CONNECTOR	
/		STECKERTEIL	
/		Schraubanschluss/screw connection	
/		code 3 6mm <sup>2</sup> 250V 25A	
Index		Datum / Blatt Date / Sheet	
Änderung / Revision		www.wieland-electric.com	
/		RST2515	
/		S6S1 M01V	
/		GR03	