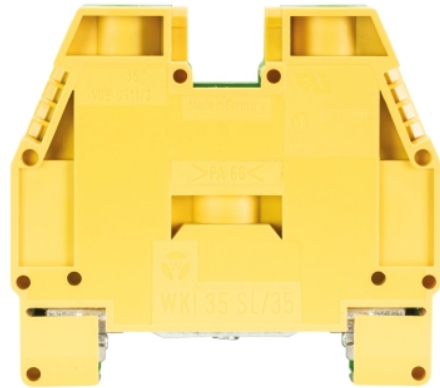


Data sheet

Commercial Art.No.: 56.535.9255.0

Earth terminal WKI 35 SL / 35/V0

Ground terminal with Screw connection for mounting on TS 35, nominal cross section: 35 mm², width: 16 mm, color: Green-yellow



Commercial Art.No.	56.535.9255.0
EAN	4015573571075
Order Unit	20

Certificates / Approvals



Technical data

General

Nominal cross section	35 mm ²
Color	Green/yellow
Number of levels	1
Number of clamp positions per level	2
Width/grid dimension	16 mm
Insulating housing	PA666
Inflammability class of insulation material acc. with UL94	V0
Mounting method	DIN rail (top hat rail) 35/7.5 mm
Terminal blocks for electrical installations	yes

Technical data

Rated voltage	400 V
Rated impulse voltage	6 kV
Pollution degree	3
Closing plate required	No
Type of insulation material	Thermoplastic
Length	58 mm

Connection Data

Connection type 1	screw connection
Connection type 2	screw connection
Minimum cross section fine stranded	16 mm ²
Maximum cross section fine stranded	35 mm ²

Minimum cross section stranded	16 mm ²
Maximum cross section stranded	50 mm ²
Wire strip length	13 mm
Torque conductor mounting	2 Nm
Torque rail mounting	2

Technical Data UL/CSA

Cross section UL	10-2 AWG
Voltage UL	600 V
Cross section CSA	10-2 AWG
Voltage CSA	600 V

Classification

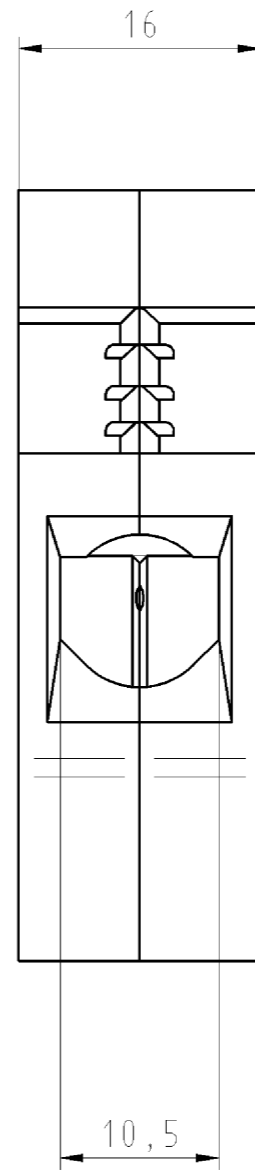
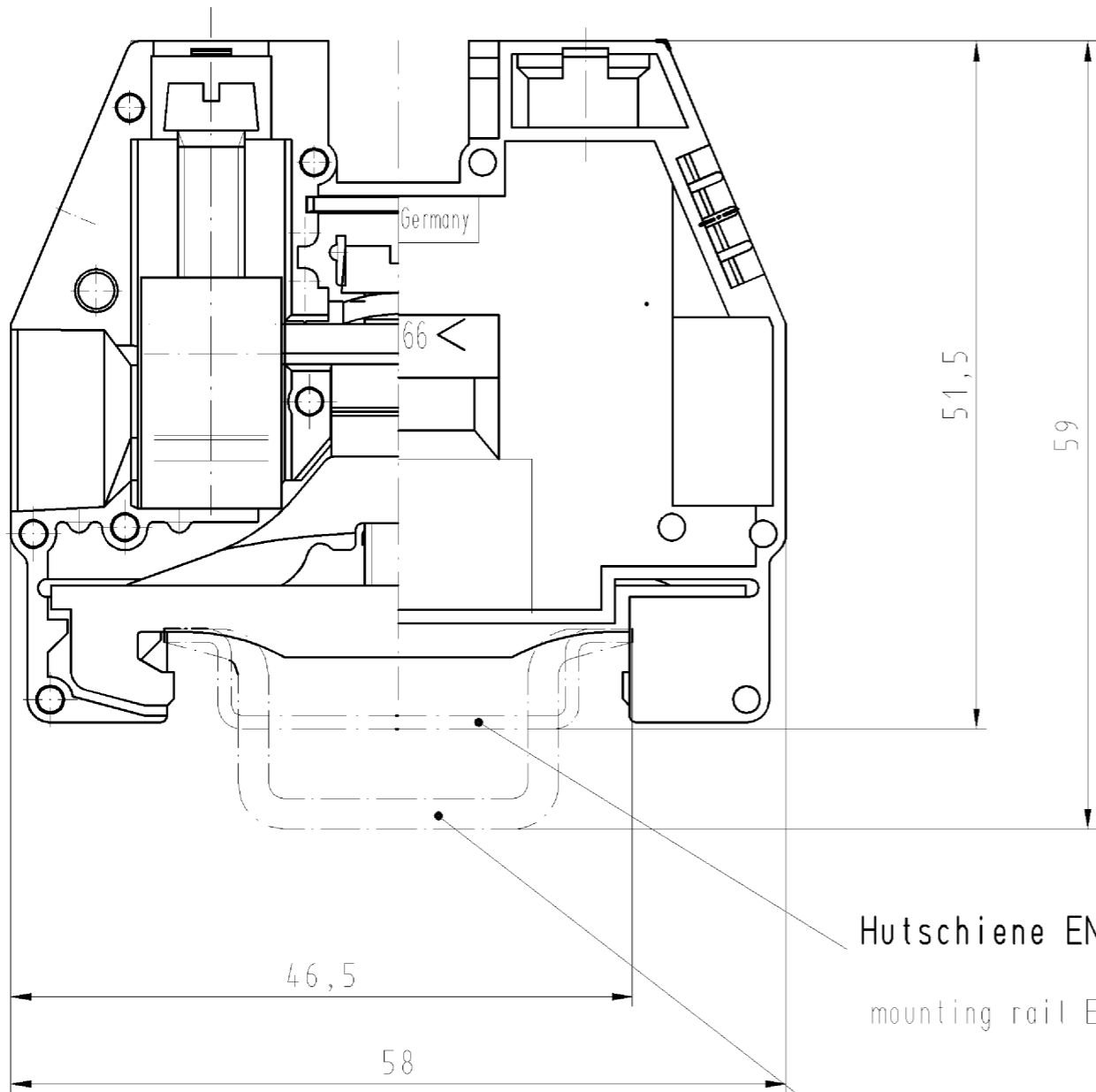
ECLASS 11	
ECLASS 8.1	27141141
ETIM 7.0	EC000901
ETIM 6.0	EC000901
ETIM 5.0	EC000901
ETIM 4.0	EC000901
ETIM 3.0	EC000901

Product compliance

ROHS conformity status	Compliant/Exempted
ROHS exceptions	III-6(c)
REACH-SVHC conformity status	Duty-To-Declare
REACH-SVHC substances	Lead
REACH-SVHC CAS numbers	7439-92-1

Accessories

Commercial Art.No.:	Article-type description:	Description:
98.300.0000.0	Mounting rail TS 35x7,5 UNPERF - l:2000mm	Mounting rail TS 35, unslotted, size 7,5 mm, length 2 m, material steel. galv. zinc-plated and dichromated
98.300.1000.0	Mounting rail TS 35x7,5 PERF 15mm - l:2000mm	Mounting rail TS 35, slotted, size 7,5 mm, length 2 m, material steel. galv. zinc-plated and dichromated
98.300.1900.0	Mounting rail TS 35x7,5 PERF 25mm - l:2000mm	Mounting rail TS 35, slotted, size 7,5 mm, length 2 m, material steel. galv. zinc-plated and dichromated
98.360.0000.0	Mounting rail TS 35x15-2,3 UNPERF - l:2000mm	Mounting rail TS 35, unslotted, size 15 mm, length 2 m, material steel. galv. zinc-plated and dichromated
98.360.0004.0	Mounting rail TS 35x15-2,3 UNPERF FZN - l:2000mm	Mounting rail TS 35, unslotted, size 15 mm, length 2 m, material steel, hot galvanized
98.370.0000.0	Mounting rail TS 35x15 UNPERF - l:2000mm	Mounting rail TS 35, unslotted, size 15 mm, length 2 m, material steel. galv. zinc-plated and dichromated
98.370.1000.0	Mounting rail TS 35x15 PERF 15mm - l:2000mm	Mounting rail TS 35, slotted, size 15 mm, length 2 m, material steel. galv. zinc-plated and dichromated
98.380.0000.0	Mounting rail TS 35x15-2,3 UNPERF CU - l:2000mm	Mounting rail TS 35, unslotted, size 15 mm, length 2 m, material E copper
98.300.1800.0	Mounting rail TS 35x7,5 PERF 18mm - l:2000mm	Mounting rail TS 35, slotted, size 7,5 mm, length 2 m, material steel. galv. zinc-plated and dichromated



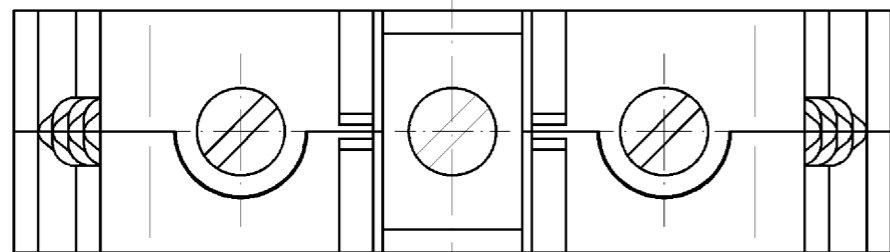
Hutschiene EN 60715-35x7,5

mounting rail EN 60715-35x7,5

Hutschiene EN 60715-35x15

mounting rail EN 60715-35x15

Weitere Daten siehe Katalog
further data see catalog



Freitoleranz nach		CAD - Zeichnung, keine manuellen Änderungen			1. Verwendung: -		Bl.: 1 von 1	
	/	Maßstab	Werkstoff und Oberfläche:		2003	Tag	Name	
	/	2:1			Entworfen	12.05.	Schmitt J.	
	/				Geprüft	-		
	/	Vol.	mm ³	Dtl.	mm ²	Normgepr.	-	Ersatz für: -
	/	wieland Elektrische Verbindungen			WKI 35 SL/35		Benennung SCHUTZLEITERKLEMME PE-terminal	
Buchstabe	Datum / Blatt							
Änderung								

○ Diese Maße werden bei Abnahme besonders geprüft
 □ Ausschließlich Prüfmaße
 M1, F gekennzeichnete Maße sind nur für interne Zwecke gültig

Weitergabe sowie Vervielfältigung dieses Dokuments, Verwertung und Mitteilung seines Inhalts sind verboten, soweit nicht ausdrücklich gestattet. The reproduction, distribution and utilization of this document as well as the communication of its contents to others without express authorization is prohibited.

1
2
3
4
5
6
7
8
9
10
11
12
13
14
15
16
17
18
19
20
M1
M2
M3
L
G
1.1
2.1
1.1