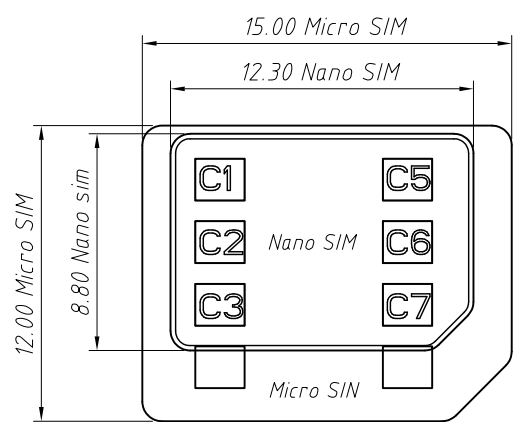
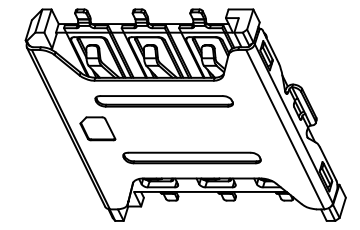


RECOMMENDED PCB LAYOUT
GENERAL TOLERANCE ±0.05



Material:
 Insulator: High Temperature Thermoplastic, UL 94V-0.
 Contact: C5210. Plated 50u" Ni Overall, Contact All Au 1u.
 Shell: SUS, Plated 50u" Ni Overall, PAD Au 1u.
Electrical:
 Current Rating: 0.5A AC/DC max.
 Voltage Rating: 125V AC/DC
 Operating Temperature Range: -30°C TO +85°C.
 Storage Temperature Range: -40°C TO +70°C.
 Ambient Humidity Range: 95% R.H. Max.
 Contact Resistance: 100mΩ Max.
 Insulation Resistance: 1000MΩ Min./500V DC
 Reflow Peak Temp: 260°C±5°C, 3-5s
 Mating Cycles: 3000 Insertions min.

SIM Pin Assignment	
Pin #	Name
C1	VCC
C2	RST
C3	CLK
C5	GND
C6	VPP
C7	I/O

GENERAL TOLERANCE	ANGLE TOLERANCE	PROJECTION	Description:
.X ±0.15	.X ±5°	UNITS	Nano SIM CONN; PUSH PULL, 6Pin, H1.35mm, with Post L-KLS1-SIM-076-6P-H1.35-R
.X ±0.03	.X ±3°	SHEET SIZE	
.XX ±0.05	.XX ±2°	KLS P/N:	

Draw by:	Jenny	Date:	2018-03-10
Check by:		Date:	2018-03-10
SCALE		SHEET	1 OF 1



NingBo KLS ELECTRONIC CO., L TD.