

Data sheet

Commercial Art.No.: 96.052.5054.3

Device connector RST25i5S S1 M01V BG03

RST25i5 device connector M25, 5 pole, male, screw connection, application 250/400V with PE, 25A, coding color concrete grey



Commercial Art.No.	96.052.5054.3
EAN	4015573890305
Order Unit	1

Certificates / Approvals



Technical data

General

Rated current	25 A
Rated voltage	250 V / 400 V
Pollution degree	3
Rated impulse voltage	4 kV
Lockable	self-locking (unlocking by tool)
Color of coding/ contact carrier	concrete grey
Marking of poles	L, N, PE, 1, 2
Color of separate adapter (if present)	black

Connection Data

Connection cross section solid mm ² max.	4 mm ²
Connection cross section solid mm ² min.	0.75 mm ²
Connection cross section solid AWG min.	18 AWG
Connection cross section solid AWG max.	14 AWG
Connection cross section fine stranded mm ² max.	4 mm ²
Connection cross section fine stranded mm ² min.	0.75 mm ²
Terminations per pole	1
Wire strip length	8 mm

Model

Model	male
Connection type	screw connection
Connecting thread metric	M25
Angle of plug	straight

Degree of protection (IP)	IP66/68 (3m;2h) /IP69
Thickness of housings (electrical device) 2	0.5 mm
Thickness of housings (electrical device)	8 mm

Material

Housing material	Polyamide
halogen free	yes
Contact material	CuZn
Fire load	0.125 kWh
Insulation components continuous temperature	100 °C
Surface finish	Silver-plated

Dimensions

Length	49.4 mm
Width	35 mm
Height	35 mm

Classification

ECLASS 11	
ECLASS 8.1	27440602
ETIM 7.0	EC002566
ETIM 6.0	EC002566
ETIM 5.0	EC002566
ETIM 4.0	EC002566

Note

Note	fine-stranded and stranded wires have to be used without ferrules; Positioning realised with flattened thread
------	--

Product compliance

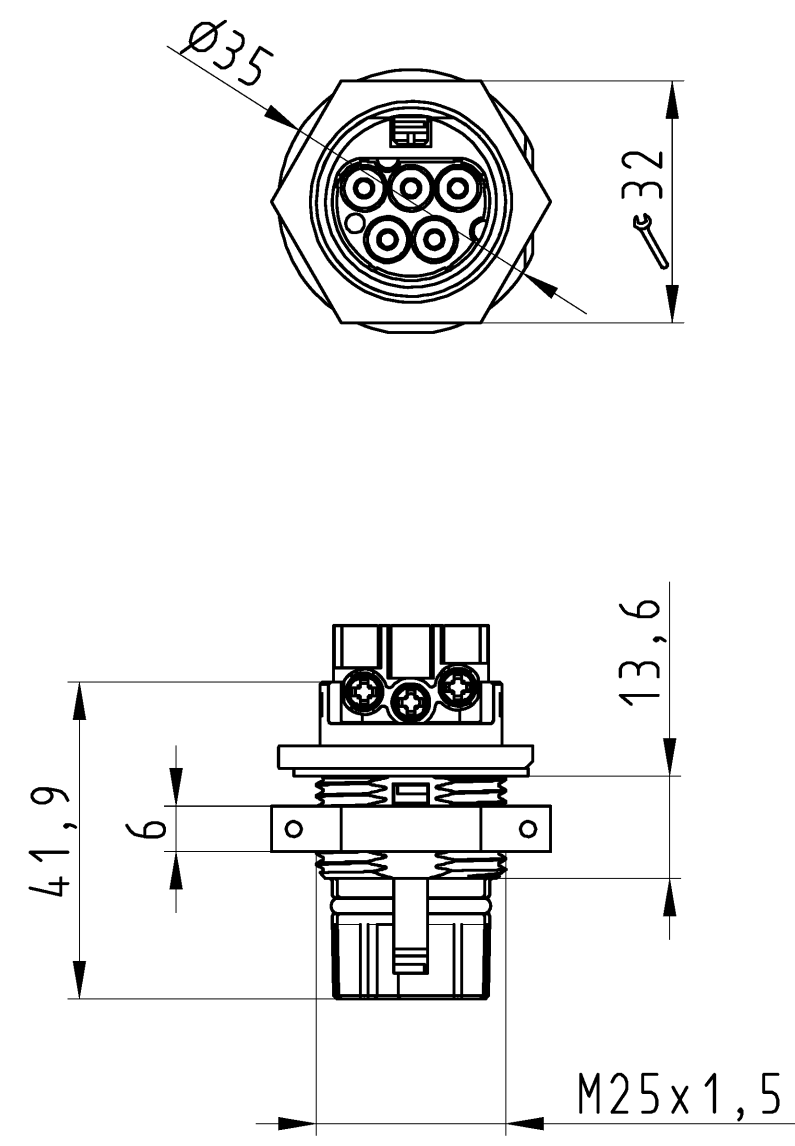
ROHS conformity status	Compliant/Exempted
ROHS exceptions	III-6(c)
REACH-SVHC conformity status	Duty-To-Declare
REACH-SVHC substances	Lead
REACH-SVHC CAS numbers	7439-92-1

Fits with

Commercial Art.No.:	Article-type description:	Description:
96.051.4154.3	Connector RST25I5S B1 ZR2S BG03	RST25i5 connector, 5 pole, screw connection, application 250/400V with PE, 25A, for cable diameters 10-14mm, coding color concrete grey, color of housing black
96.051.4554.3	Connector RST25I5S B1 ZR3S BG03	RST25i5 connector, 5 pole, screw connection, application 250/400V with PE, 25A, for cable diameters 13-18mm, coding color concrete grey, color of housing black
96.051.4054.3	Connector RST25I5S B1 ZR1S BG03	RST25i5 connector, 5 pole, screw connection, application 250/400V with PE, 25A, for cable diameters 6-10mm, coding color concrete grey, color of housing black

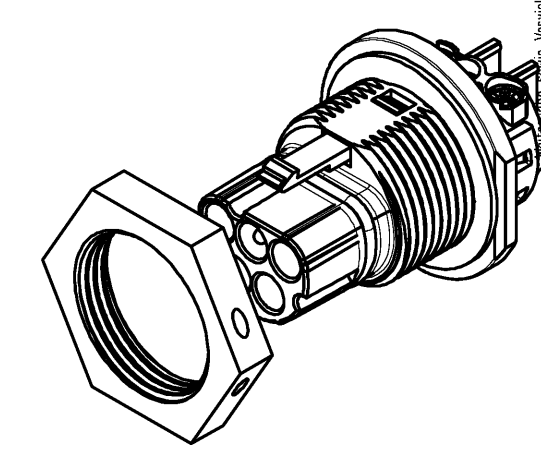
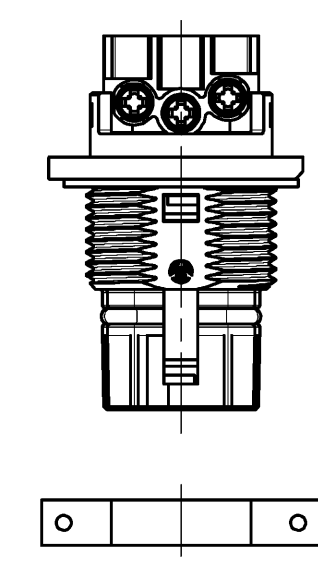
These dimensions will be especially checked at delivery
 Only inspection dimensions
 With /E marked dimensions are only valid for internal use

Diese Maße werden bei Abnahme besonders geprüft
 Ausschließlich Prüfmaße
 Mit /E gekennzeichnete Maße sind nur für interne Zwecke gültig



Öffnungsbild siehe 96.031.1053.1 14K
 opening dimension see 96.031.1053.1 14K

Auslieferungszustand
 delivery status



Verpackungseinheit: je 100 Stück
 packaging unit: per 100

96.052.5054.3	RST25I5S S1 M01V BG03	betongrau /concrete grey
Bestellnummer /Order number	Typ /Type	Farbe /color
Weitere Daten siehe KATALOG oder eKatalog. Additional data see CATALOG or eCatalog.		www.wieland-electric.com eshop.wieland-electric.com

Tolerierung Size ISO 14405(®)/Tolerance system Size ISO 14405(®). (This ISO-standard describes the envelope principle. According to the envelope principle the deviations of form and parallelism are limited by the size tolerances).		ja/yes <input checked="" type="checkbox"/> Stoffverbots- und Deklarationsliste nach WN 5020.010 ist einzuhalten. Conformity with Wieland document WN 5020.010 e (list of prohibited / declarable hazardous substances) to be declared!	
Freitoleranz nach General tolerance	CAD - Zeichnung, keine manuellen Änderungen CAD - drawing, no manual modifications allowed	1.Verwendung: First Use: -	Blatt: 1 von 1 Sheet: of 1
	Werkstoff/Material	2015 Tag/Date	Name
	Maßstab/Scale	gezeichnet drawn	Zeichnung Nr./Drawing No.
	1:1	10.07.	Nagengast F.
	Vol. mm³	geprüft checked	96.052.5054.3 13K
	Ofl./Surf. mm²	Normgepr. Stand. check	Maße in mm/Dimensions are in mm
		Ersatz für/Replacement for: -	
		Type	Benennung/Title
			STECKERTEIL male connector
Index	Datum / Blatt Date / Sheet	www.wieland www.wieland-electric.com	
Änderung/Revision			

Weitergabe sowie Vervielfältigung dieses Dokuments, Verwertung und Mitteilung
 desselben sind verboten, soweit nicht ausdrücklich gestattet.
 The reproduction, distribution and utilization of this document as well as the
 communication of its contents to others without express authorization is prohibited.