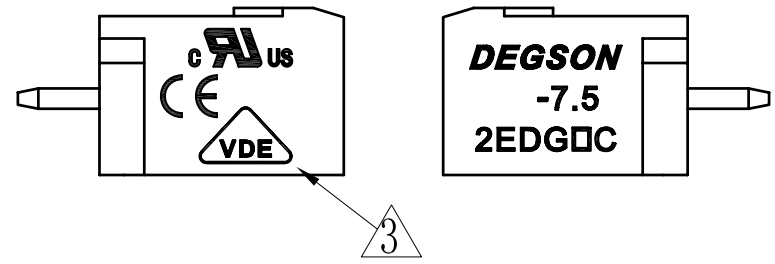
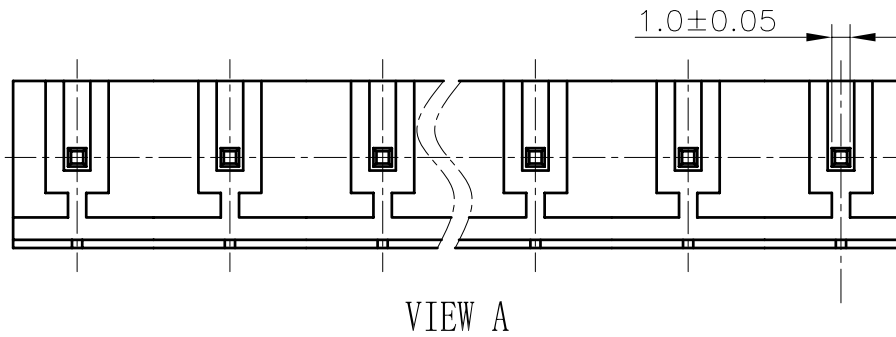
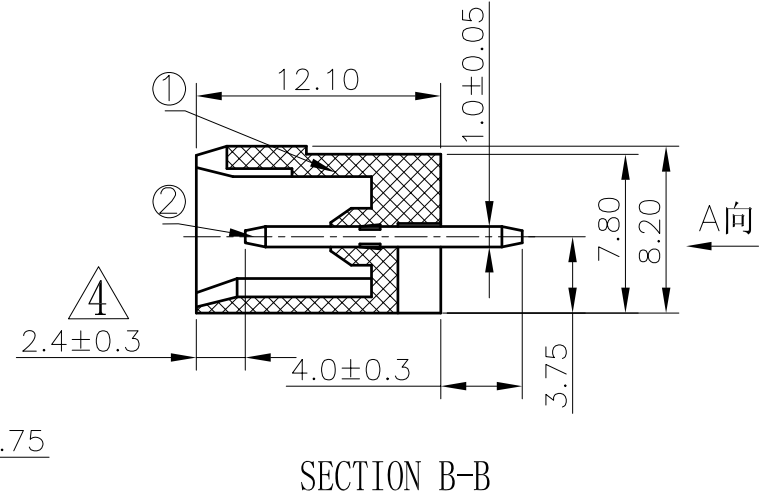
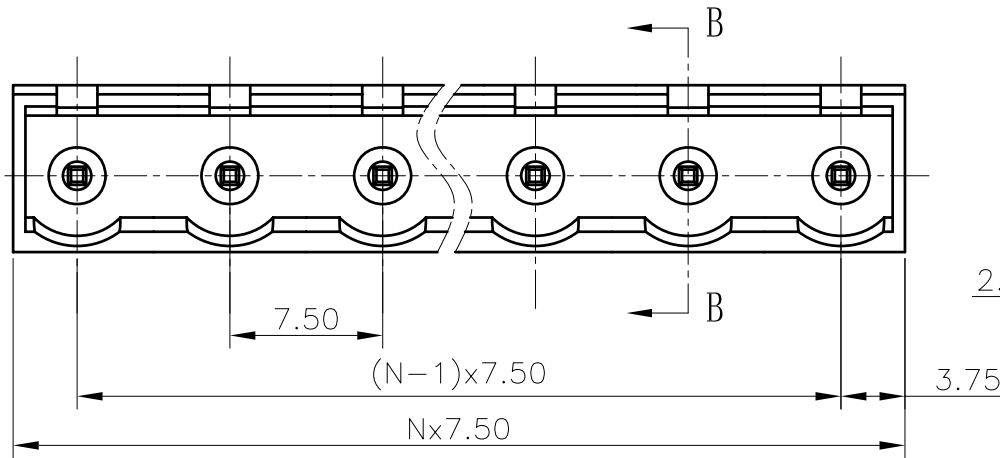


REVISION RECORD				
REV	ECO	DESCRIPTION	DRFT	DATE
△		Drawing emend	WF	02/22/06*
△		Drawing emend	csx	04/24/06*
△		增加VDE、CE刻字	YeJ	02/28/08*
△	10-0329	增加标注尺寸	COCO	10/07/10*



Notes:

1. Pitch: 7.5mm
2. Rated voltage/current: UL 300V/15A  
VDE 400V/20A
3. Withstanding voltage: AC2000V/1Min
4. Insulation resistance: 5000MΩ/DC1000V
5. Operation temperatures: -40° C ~ +105° C
6. Undimensioned Tolerances:

Pitch range in mm		Nominal dimension range in mm						
to	over	over	to	over	over	over	over	
6	6 to 10	10 to 24	30	30 to 60	60 to 100	100 to 150	150	
±0.10	±0.15	±0.25	±0.2	±0.3	±0.5	±0.7	±1.0	0.05/10

2	2EDGV Pin header	1007B00030 (H)	XX	Brass	SnCe												
1	2EDGVC-7.5-Housing	1022A0YXXA (H)	1	PA66	UL94V-0												
ITEM	NAME OF PART	NO. OF PART	Q"TY	MATERIAL	NOTES												
<table border="1"> <tr> <td>MM (INCH)</td> <td>DFTO HAOYH</td> <td>DATE 10/07/05</td> </tr> <tr> <td>TOLERANCES EXCEPT AS NOTED</td> <td>CHKD</td> <td>DATE</td> </tr> <tr> <td></td> <td>MFO</td> <td>DATE</td> </tr> <tr> <td></td> <td>APPVL</td> <td>DATE</td> </tr> </table>		MM (INCH)	DFTO HAOYH	DATE 10/07/05	TOLERANCES EXCEPT AS NOTED	CHKD	DATE		MFO	DATE		APPVL	DATE	DEGSON® 宁波高正电子有限公司 DEGSON ELECTRONICS CO., LTD			
MM (INCH)	DFTO HAOYH	DATE 10/07/05															
TOLERANCES EXCEPT AS NOTED	CHKD	DATE															
	MFO	DATE															
	APPVL	DATE															
<table border="1"> <tr> <td>MM</td> <td>±</td> </tr> <tr> <td>.0 ±</td> <td>±</td> </tr> <tr> <td>.00 ±</td> <td>±</td> </tr> <tr> <td>.000 ±</td> <td>±</td> </tr> </table>		MM	±	.0 ±	±	.00 ±	±	.000 ±	±	MATERIAL :		NAME					
MM	±																
.0 ±	±																
.00 ±	±																
.000 ±	±																
ANGLES ± 1'		G.E :		2EDGVC-7.5-XXP-1Y-00A(H)													
THIRD ANGLE PROJECTION		FINISH :		DRAWING NO. 2EDGVC-7.5-E02													
SCALE : 1:1		DO NOT SCALE DRAWING		SIZE A3	REV T4 10/07/10*												
				SHEET 1	OF 1												