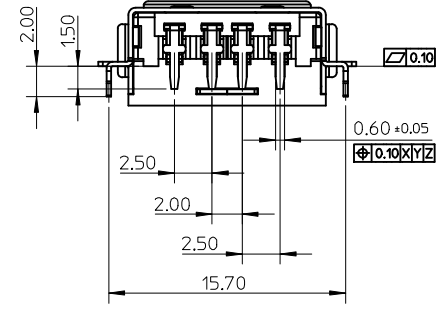
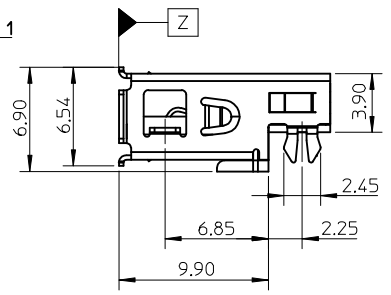
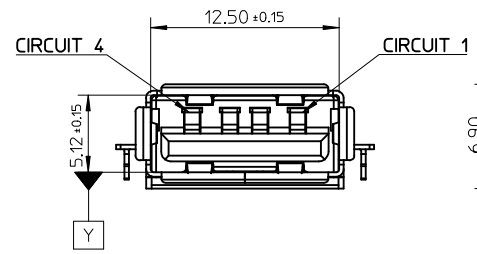


- NOTES:
- MATERIAL:
HOUSING: LCP, FIBER GLASS FILLED, UL94V-0, COLOR:BLACK.
TERMINAL: PHOSPHOR BRONZE.
METAL SHELL: BRASS.
 - FINISH:
TERMINAL:
SELECTIVE GOLD(Au) IN CONTACT AREA, THICKNESS=30 MICROINCH MINIMUM;
SELECTIVE TIN IN SOLDER TAIL AREA, THICKNESS=120 MICROINCH MINIMUM;
NICKEL(Ni) OVERALL.
METAL SHELL:
NICKEL(Ni) OVERALL;
THICKNESS=40 MICROINCH MINIMUM;
UNDER PLATED: COPPER(Cu) OVERALL.
 - PRODUCT SPECIFICATION REFER TO PS-48258-001.
 - PACKAGE SPECIFICATION REFER TO PK-48258-001.
 - TEST SUMMARY REFER TO TS-48258-001
 - COPLANARITY TO BE 0.10 mm MAX.
 - LEAD FREE AND RoHS COMPLIANT PRODUCT.
 - DATE CODE:
X X X X X
DAY
WEEK
YEAR



<p>NEW RELEASE EC NO: SH2013-0324 DRW: F YANG05 2013/03/30 CHKD: APPR: RZHANG 2013/05/17</p>	<p>QUALITY SYMBOLS = 0 = 0.25</p>	GENERAL TOLERANCES (UNLESS SPECIFIED)		DIMENSION STYLE	SCALE	DESIGN UNITS	THIRD ANGLE PROJECTION	
		mm	INCH	MM ONLY	1:1	METRIC		
		4 PLACES ± ---	± ---	DRAWN BY	DATE	TITLE		
		3 PLACES ± ---	± ---	TOM	2006/04/13	USB A SINK REVERSE TYPE (LEAD-FREE VERSION)		
		2 PLACES ± 0.25	± ---	CHECKED BY	DATE	MOLEX INCORPORATED		
		1 PLACE ± 0.25	± ---	ROGER TSAI	2006/04/13			
		ANGULAR ± 3 °		APPROVED BY	DATE	DOCUMENT NO. SHEET NO. SD-48258-001 1 OF 1		
		DRAFT WHERE APPLICABLE MUST REMAIN WITHIN DIMENSIONS		ALLEN LIN	2006/04/13			
				MATERIAL NO.	THIS DRAWING CONTAINS INFORMATION THAT IS PROPRIETARY TO MOLEX INCORPORATED AND SHOULD NOT BE USED WITHOUT WRITTEN PERMISSION			
				48258-0001				
				SIZE				
				A3				