

## Rocker Switch Series

### KLS7-005 Rocker Switch Series

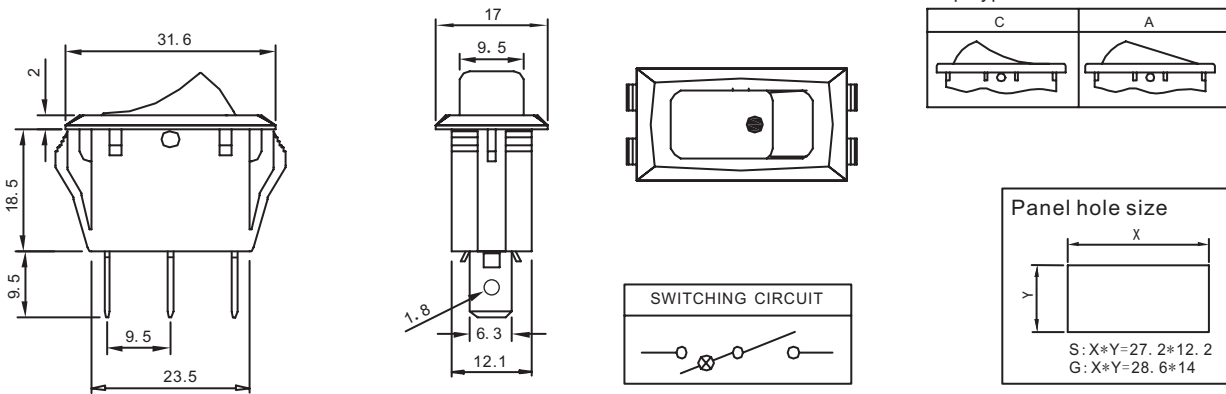
#### MATERIAL

1. Housing: Nylon 66
2. Rocker: PC & PA66
3. Contacts: Silver Alloy
4. Terminal: Brass Silver Plated
5. Lamp: Neon Lamp, Tungsten Lamp
6. Spring: SWP, SUS
7. Movable Arm: Brass Silver Plated



#### ELECTRICAL

1. Electrical Rating: 10(4)A 250VAC T85  
16(4)A 250VAC T125/55 1E4  
15A 125V/7.5A 250AC  
(H)Rating: 20A 125VAC 3/4HP T105
2. Mechanical life: Over 30000 Cycles
3. Electrical life: Over 10000 Cycles
4. Contact Resistance: <20mΩ
5. Insulation Resistance: >1000MΩ
6. High Voltage Resistance: >1500V 1 min
7. Ambient Temperature: Terminal Side -20°C~+85°C; Actuating Side -20°C~+55°C
8. Storage Temperature: -30°C~+80°C Max
9. Atmospheric Humidity: Max 85%
10. Actuating force: 4~8N (depends on different switch function)
11. Flammability: UL94 V-2
12. Temperature rise at the terminal: Max 30°C (UI1054)
13. Solder ability of terminal: Max 350°C 3S



## ORDER INFORMATION

KLS7-005-11/N-C-2 RE/BK -P1 -S .....(2)

