

Data sheet

Commercial Art.No.: 25.313.0353.0

Panel header 8213 S / 3 DFWW M

Feed Through-Pin Header, 3 -pole, with wire-wrap connection, without marking, pitch:
5,08 mm, series: 8214 S / 3 DFWW M



Commercial Art.No.	25.313.0353.0
EAN	4015573343467
Order Unit	100

Certificates / Approvals



Technical data

General

Modular spacing	5.08 mm
Connection type	Soldering connection
Soldering process	None
Packaging	Carton
Number of poles	3
Number of levels	1
Marking	No
Fastening	Flange
Mating direction towards (circuit) board	None

Technical data

Rated current	6.5 A
Overvoltage Category I	1000 V
Overvoltage Category II	400 V
Overvoltage Category III	250 V
Rated impulse voltage	4 kV

Technical Data UL/CSA

Voltage UL	300 V
Current field wiring	6.5 A
Current factory wiring	6.5 A
Voltage CSA	300 V
Current CSA	6.5 A

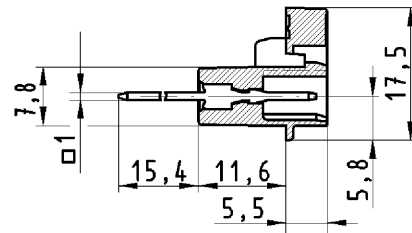
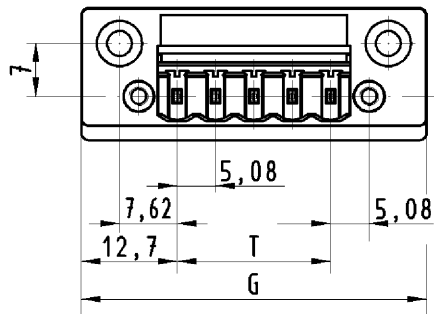
Other

Type of insulation material	Thermoplastic
Color	Grey
Height	17.5 mm
Length	35.56 mm
Depth	17.1 mm
Material contact base	CuSn

Material contact surface	Sn
--------------------------	----

Classification

ECLASS 11	
ECLASS 8.1	27440402
ETIM 7.0	EC002637
ETIM 6.0	EC002637
ETIM 5.0	EC002637
ETIM 4.0	EC002637



für folgende Tabellen-Zchnng.:

25.303.0253.0 8213 S/... DFWW
 25.313.0253.0 8213 S/... DFWW M

STIFTLLEISTE DURCHFÜHRUNG

25.313.0253.0 10W

16.11.2007 SCJ

M 1:1