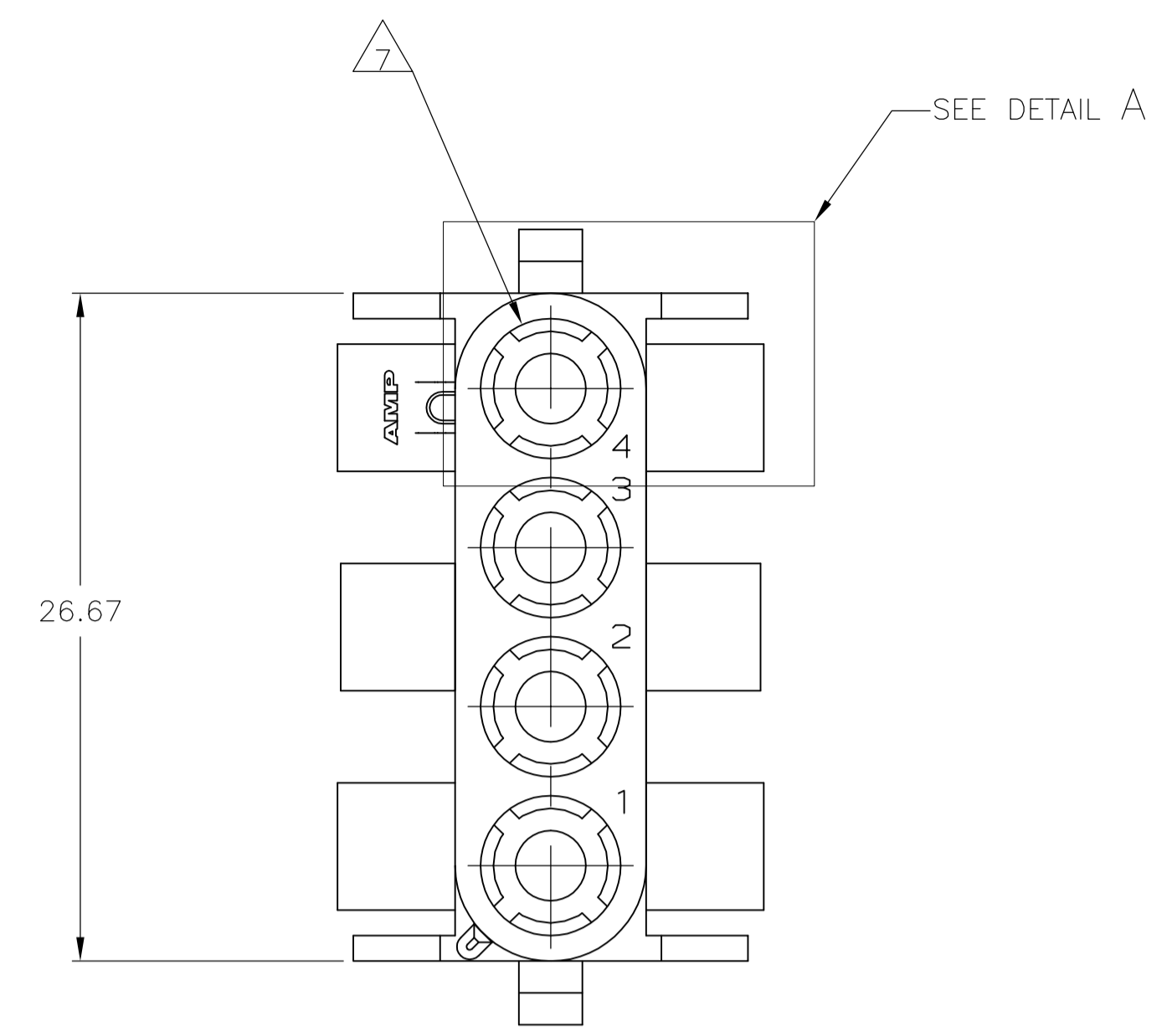
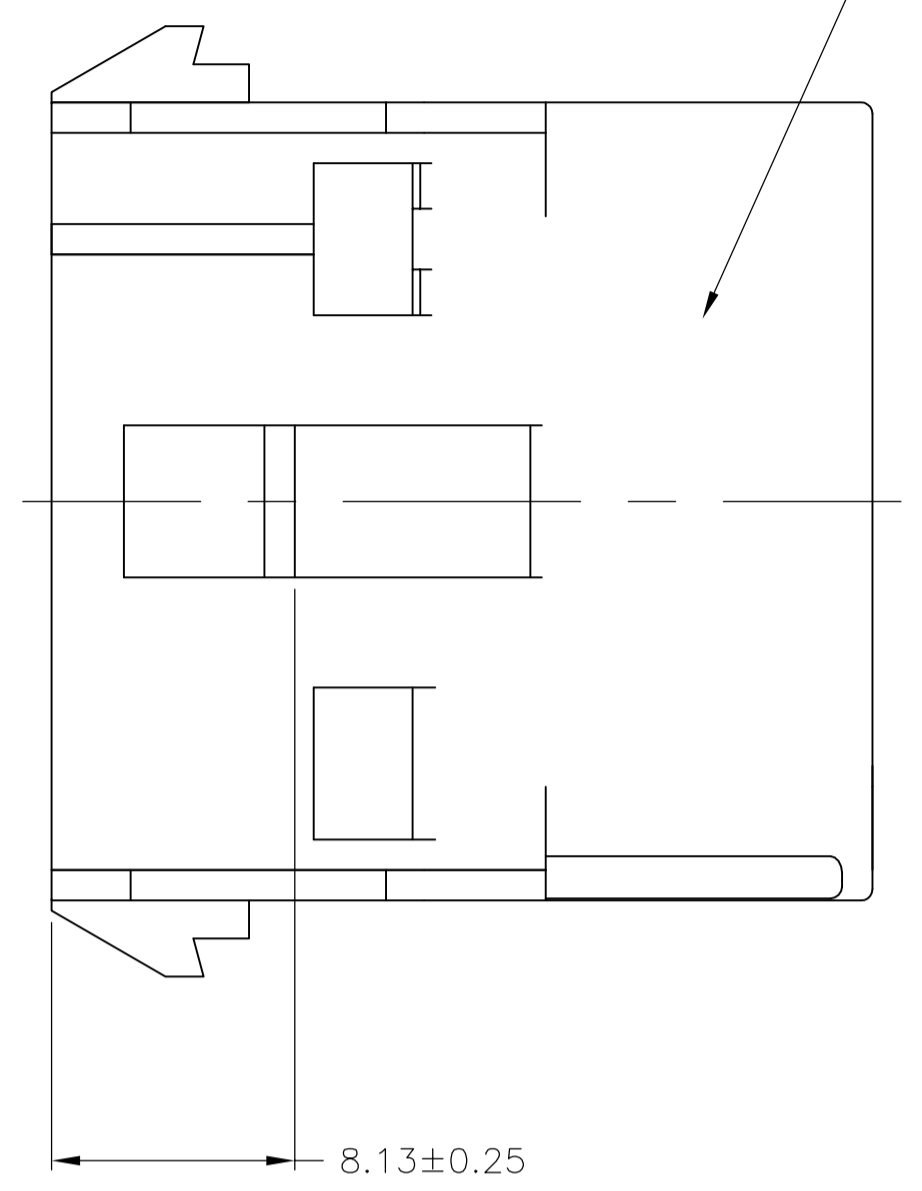
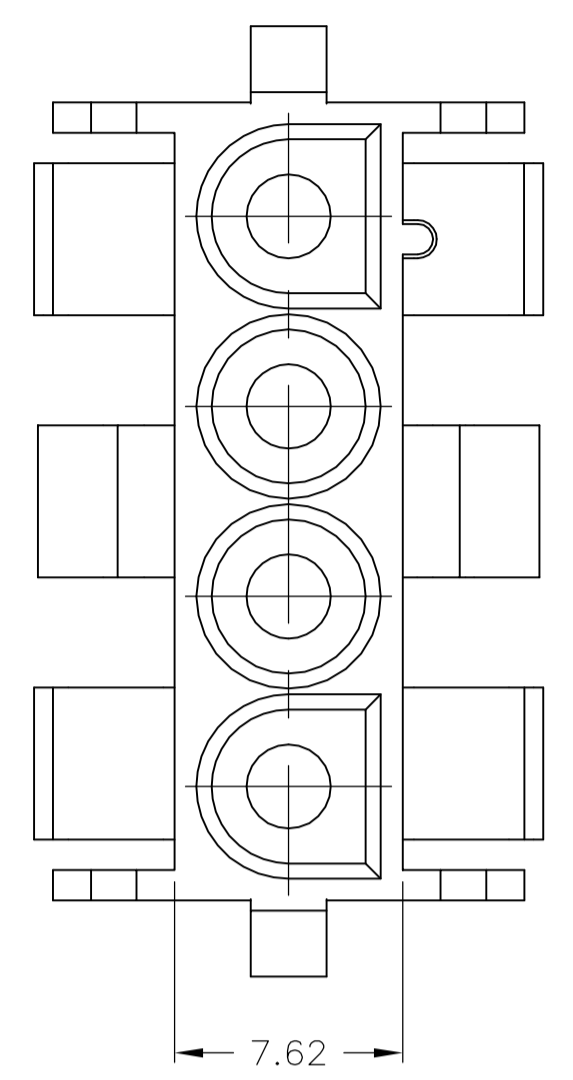
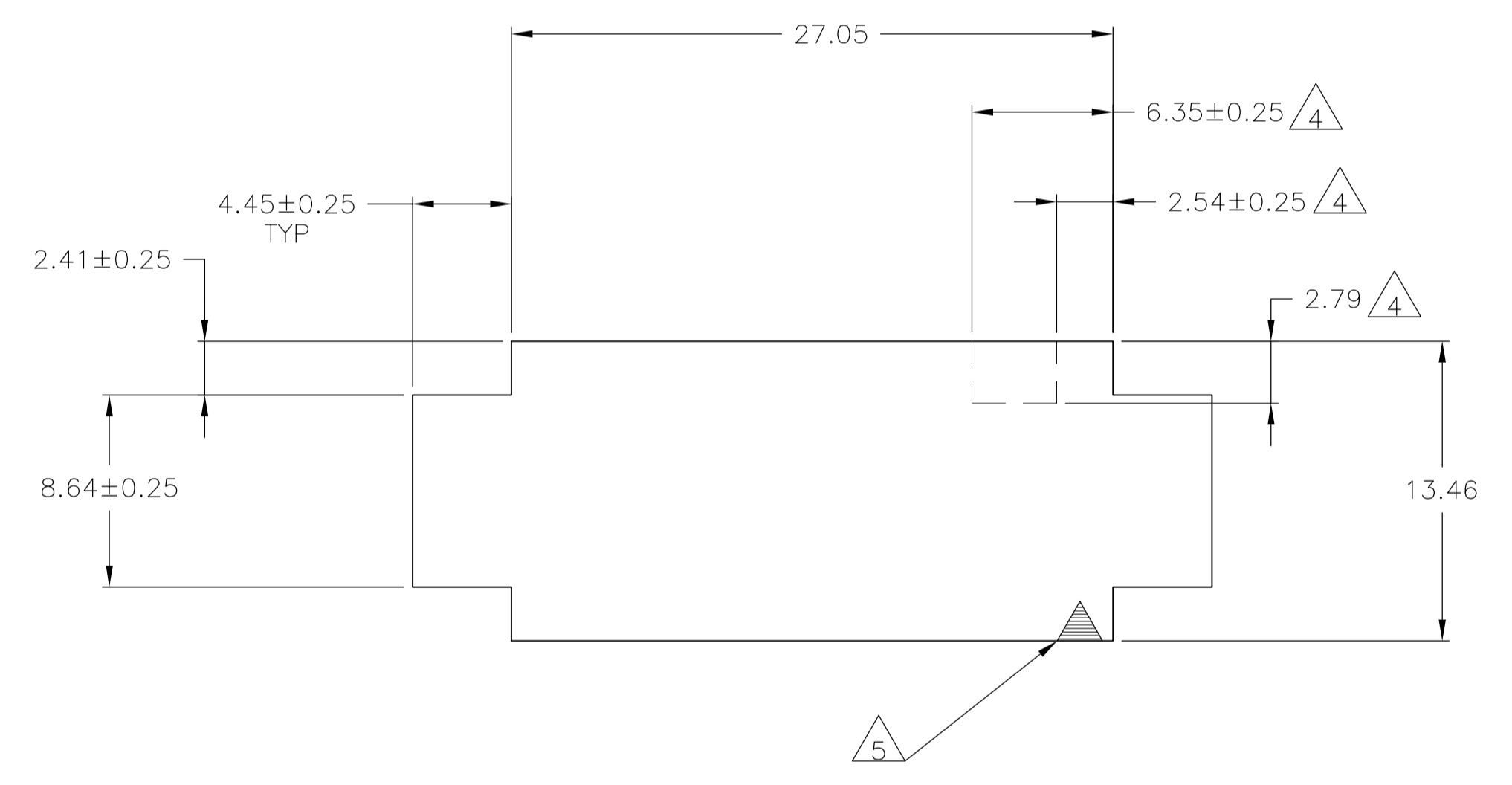
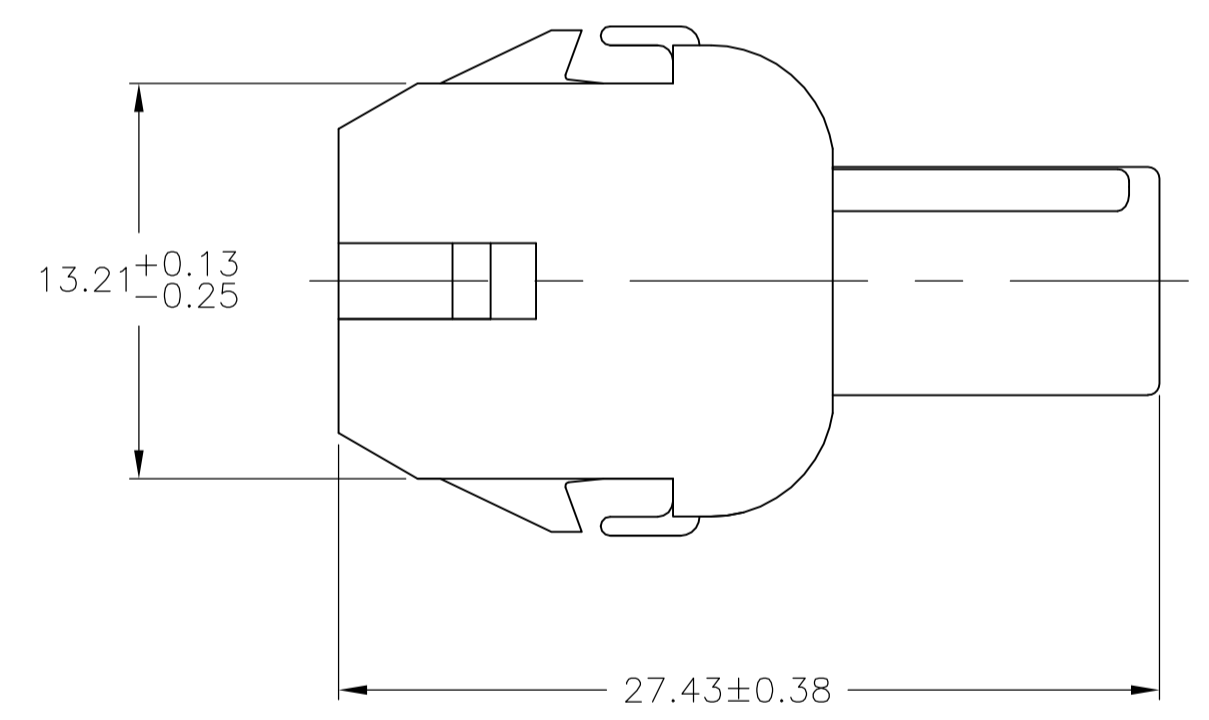
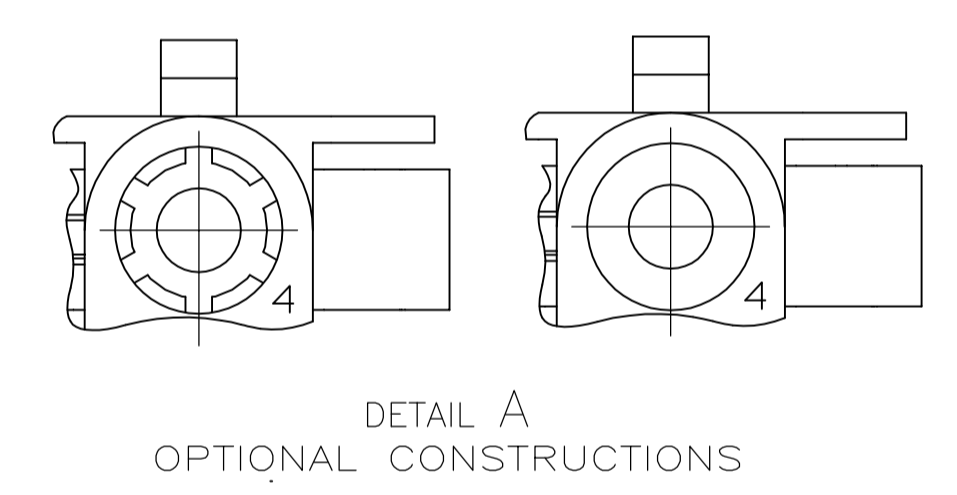


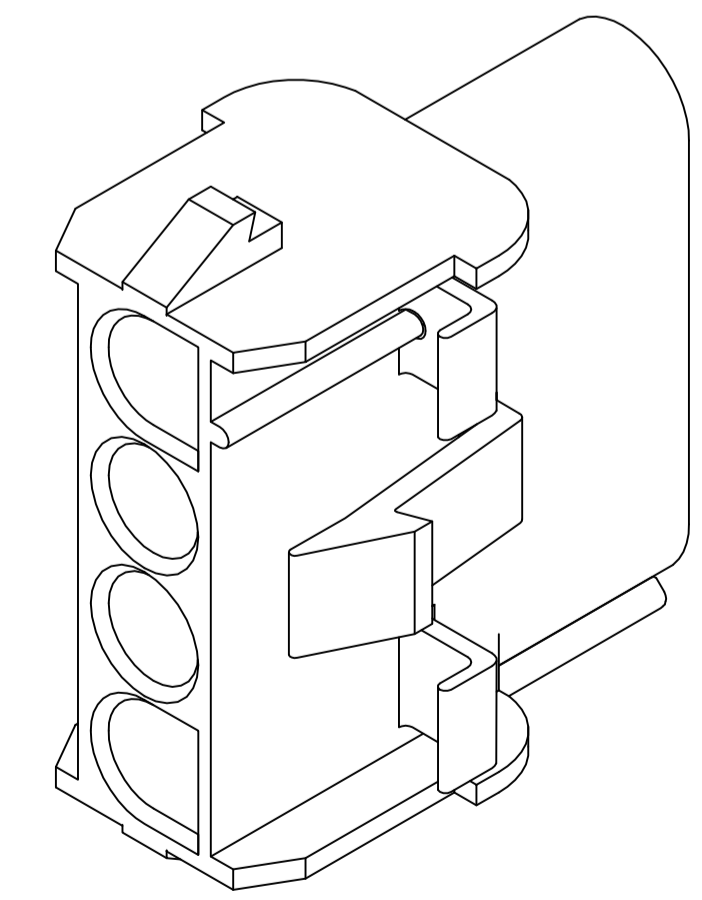
REVISIONS				
P	LTR	DESCRIPTION	DATE	OWN APVD
V4		REVISED PER ECR-17-015029	11OCT2017	JB DZ



- MATES WITH APPROPRIATE UNIVERSAL MATE-N-LOK™ PLUG.
 - RECOMMENDED PANEL THICKNESS 0.76 - 2.29.
 - PANEL MUST BE PUNCHED SO THAT THE HOUSING ENTERS THE PANEL IN THE SAME DIRECTION AS THE PUNCH.
- △4 OPTIONAL FOR KEYING HOUSING IN PANEL.
 - △5 CIRCUIT NUMBER 1 LOCATION.
 - 6 DIMENSIONS SHOWN REPRESENT PRODUCT IN DRY, AS MOLDED, CONDITION. ADDITIONAL 2% GROWTH DUE TO SUBSEQUENT MOISTURE ABSORPTION MAY OCCUR AND SHOULD BE ACCOUNTED FOR.
 - △7 FOUR RIBS EQUALLY SPACED, NO SPECIFIC ORIENTATION. NO RIBS OR SIX RIBS EQUALLY SPACED, NO SPECIFIC ORIENTATION, OPTIONAL.
 - △8 UNDERWRITERS RECOGNIZED COMPONENT LOGO AND CSA CERTIFICATION LOGO TO BE LOCATED ONCE EACH ON SIDE OF HOUSING.



RECOMMENDED PANEL CUT OUT



3-DIMENSIONAL MODEL NTS

CUSTOMER RESTRICTED	COLOR	PART NUMBER
	NATURAL	350780-2
	BLACK	1-350780-9
	GRAY	1-350780-8
	BLUE	1-350780-6
	GREEN	1-350780-5
	YELLOW	1-350780-4
	ORANGE	1-350780-3
	RED	1-350780-2
	BROWN	1-350780-1
	NATURAL	350780-1
	COLOR	PART NUMBER

4.45	.175	27.43	1.080
2.79	.110	27.05	1.065
2.54	.100	26.67	1.050
2.41	.095	13.46	.530
2.29	.090	13.21	.520
0.76	.030	8.64	.340
0.38	.015	8.13	.320
0.25	.010	7.62	.300
0.13	.005	6.35	.250
MM	IN	MM	IN

CONVERSION TABLE

THIS DRAWING IS A CONTROLLED DOCUMENT.

DIMENSIONS: mm

TOLERANCES UNLESS OTHERWISE SPECIFIED:

0 PLC	± .13
1 PLC	± .13
2 PLC	± 0.13
3 PLC	± .13
4 PLC	± .13
ANGLES	± 1°

MATERIAL: NYLON,UL 94V-0

FINISH: -

WEIGHT: 0.000000

CUSTOMER DRAWING

OWN: K. WHITAKER 15JUL92

CHK: R. SWING 15JUL92

APVD: D. SELF 20JUL92

NAME: CAP,4 CIRCUIT, UNIVERSAL MATE-N-LOK™

STE TE Connectivity

SIZE: A1 CAGE CODE: 00779 DRAWING NO: 350780

SCALE: 4:1 SHEET: 1 OF 1 REV: V4