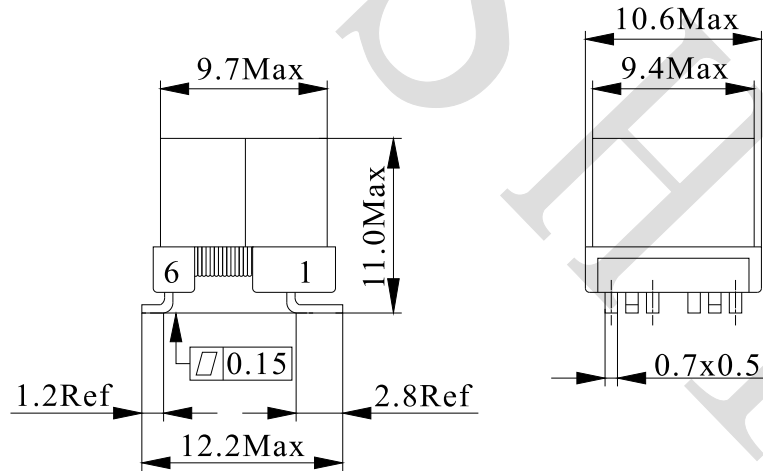
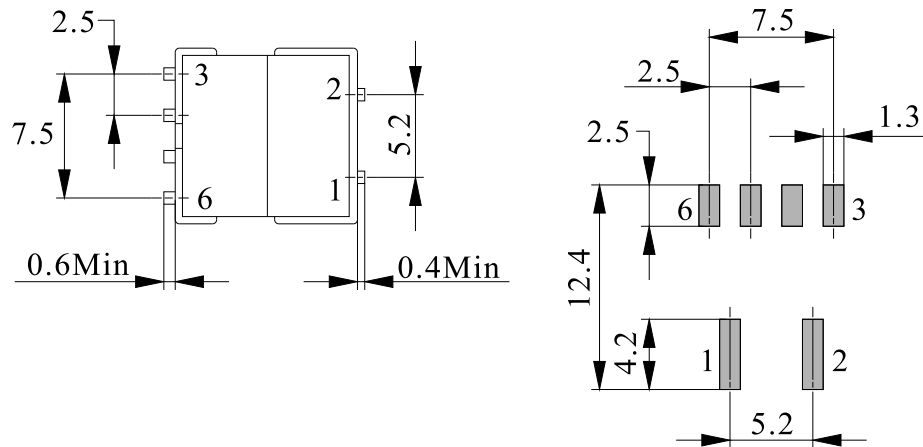


Rev.	Description	Date
A0	New release	2023.08.29

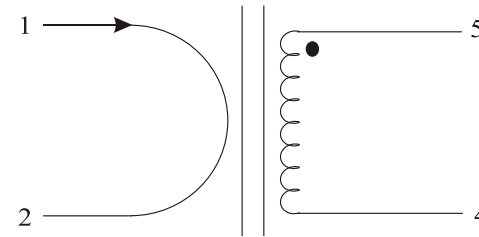
1. PHYSICAL CHARACTERISTICS (mm)



Recommended PCB layout (Top view)



2. ELECTRONICAL SCHEMATIC



3. ELECTRONICAL SPECIFICATIONS

- Inductance(5-4): 7.0mH Min@20KHz,0.1V
- DCR(1-2): 1.9mΩ Max
- DCR(5-4): 5.0Ω Max
- Current ratio: 1:100
- Interwinding capacitance: 4pF Ref@10KHz,1V
- Voltage-time product : 233V.us
- Hi-Pot: 2400Vac,3mA,60S Pin1 to Pin5
1000Vac,3mA,1S Coil to Core
- Ambient temperature: -40°C to +150°C

NAME:	Current Transformer		
CUSTOMER P/N:	B78417A2185A003	DATE:	2023-08-29
SHINHOM P/N:	ACSTEP7-100	REV:	A0
DRAWN BY:	CHECKED BY:	APPROVE BY:	PAGE