

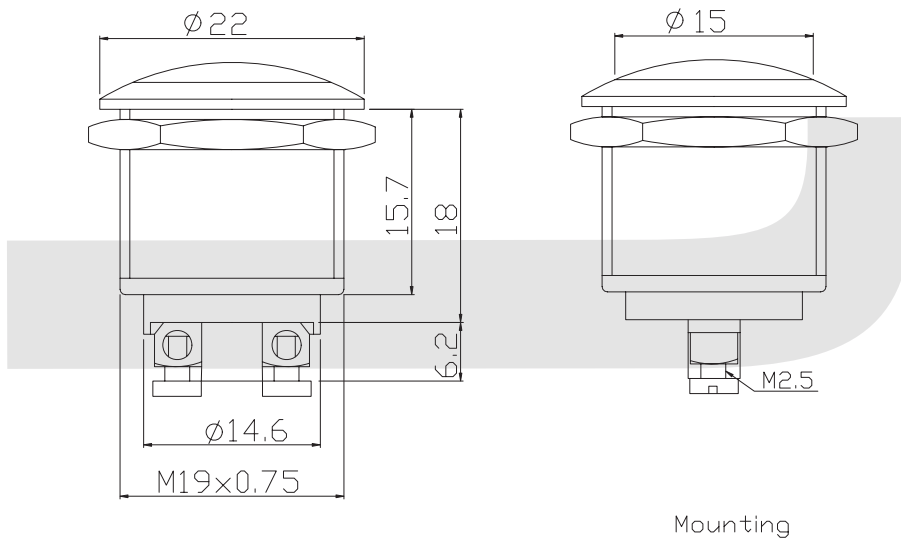
Switch

Push Button Switch Series

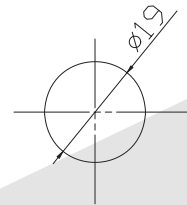
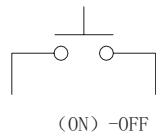
KLS7-PBS-013 Push Button Switch Series

ELECTRICAL

Rating: 4A 125V AC ,2A 250V AC
Contact resistance: 20m Ω Max
Insulation resistance: 100M Ω /500VDC Min
Withstanding Voltage: AC 1000V/1Min
Operating Temperature: -25 $^{\circ}$ C~+85 $^{\circ}$ C
Electrical life: 50000 Cycles



Circuitry



ORDER INFORMATION

KLS7-PBS-013 X

Part Number

PBS-013: Push Button Switch Series

Function: B=ON-OFF
C=ON-(OFF)
D=OFF-(ON)