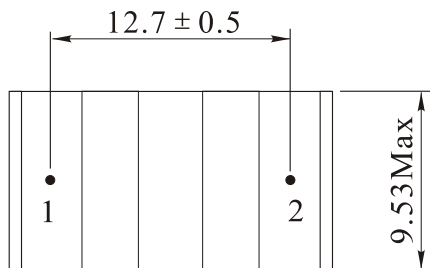
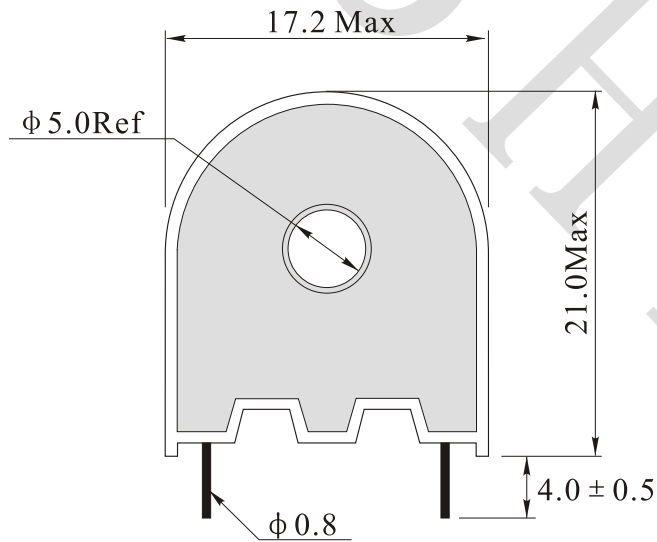
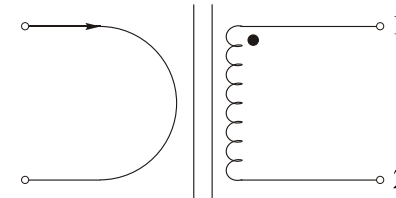


Rev.	Description	Date
A0	New release	2023.02.06

### 1. PHYSICAL CHARACTERISTICS (mm)



### 2. ELECTRONICAL SCHEMATIC



### 3. ELECTRONICAL SPECIFICATIONS

- Turns ratio: 1:100
- Sec Inducrance: 25mH Min@10KHz,0.1V
- Sec DCR(1-2): 1.1Ω Max
- Sec current: 150mA@15A Input
- ET: 350V-uSec Max
- Hi-Pot: 2500Vrms, Pri to Sec
- Operating temperature: -40°C to +120°C

#### Note:

1. Solderability: leads shall meet MIL-STD-202, Method 208D for solder ability.
2. Flammability: UL94V-0
3. ASTM oxygen index: >28%

NAME:	Current transformer		
CUSTOMER P/N:	AS-101	DATE:	2023-02-06
SHINHOM P/N:	ACST-002-1	REV: A0	PAGE
DRAWN BY	CHECKED BY	APPROVE BY	



**SHINHOM**  
SHAANXISHINHOM ENTERPRISE CO LTD

The Document property belong to SHINHOM & is not allowed to be duplicated without authorization