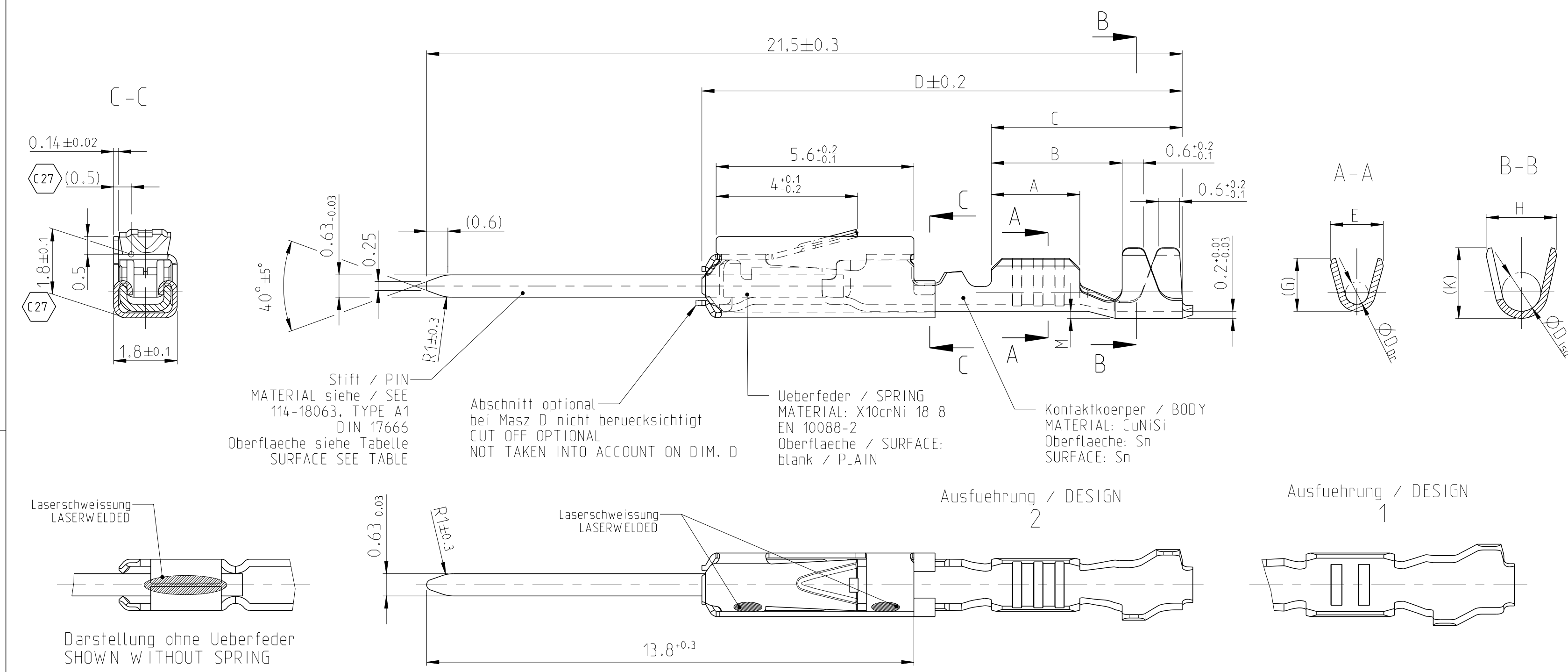
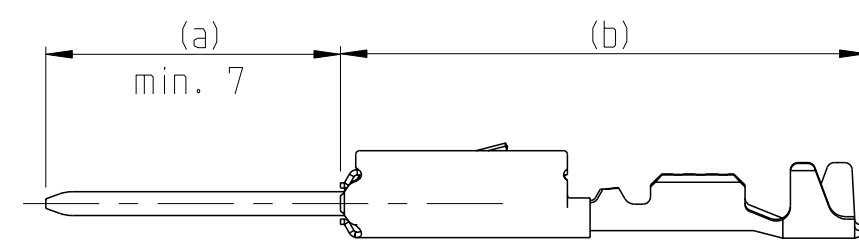


Normale Anwendung
 USUAL APPLICATION



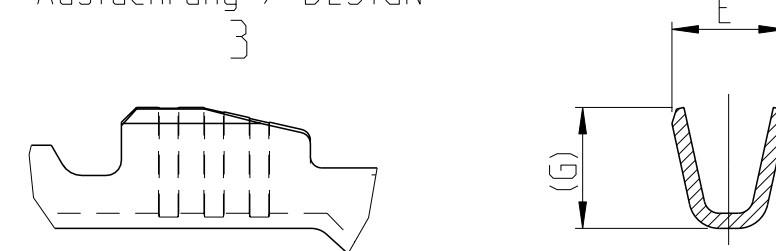
Oberflaeche / FINISH



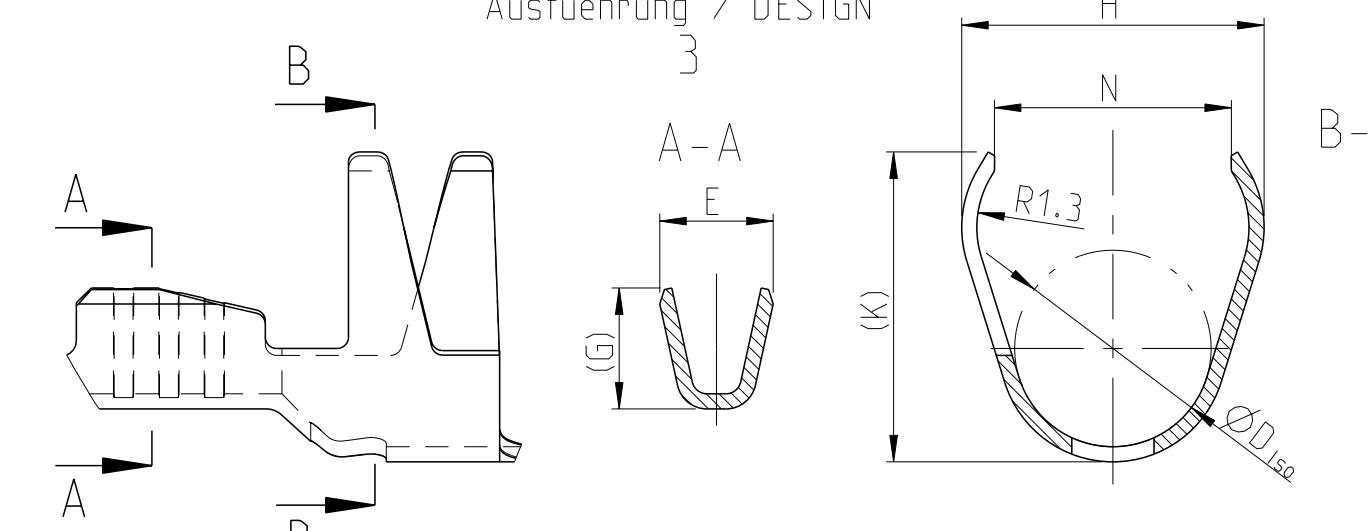
5:1

- Sn: verzinnete Ausfuehrung
 TINNED
 (a) PIN: 0.8µm - 3.0µm Sn ueber/OVER 1.27µm - 3.0µm Ni
 (b) Kontaktkoerper/BODY: 0.8µm - 2.0µm Sn
- Ag: versilbert
 SILVER
 (a) PIN: 2.0µm - 6.0µm Ag
 (b) Kontaktkoerper/BODY: 0.8µm - 2.0µm Sn
- Au: vergoldet
 GOLD
 (a) PIN: min. 0.8µm Au ueber/OVER 1.0µm - 2.2µm Ni
 (b) Kontaktkoerper/BODY: 0.8µm - 2.0µm Sn

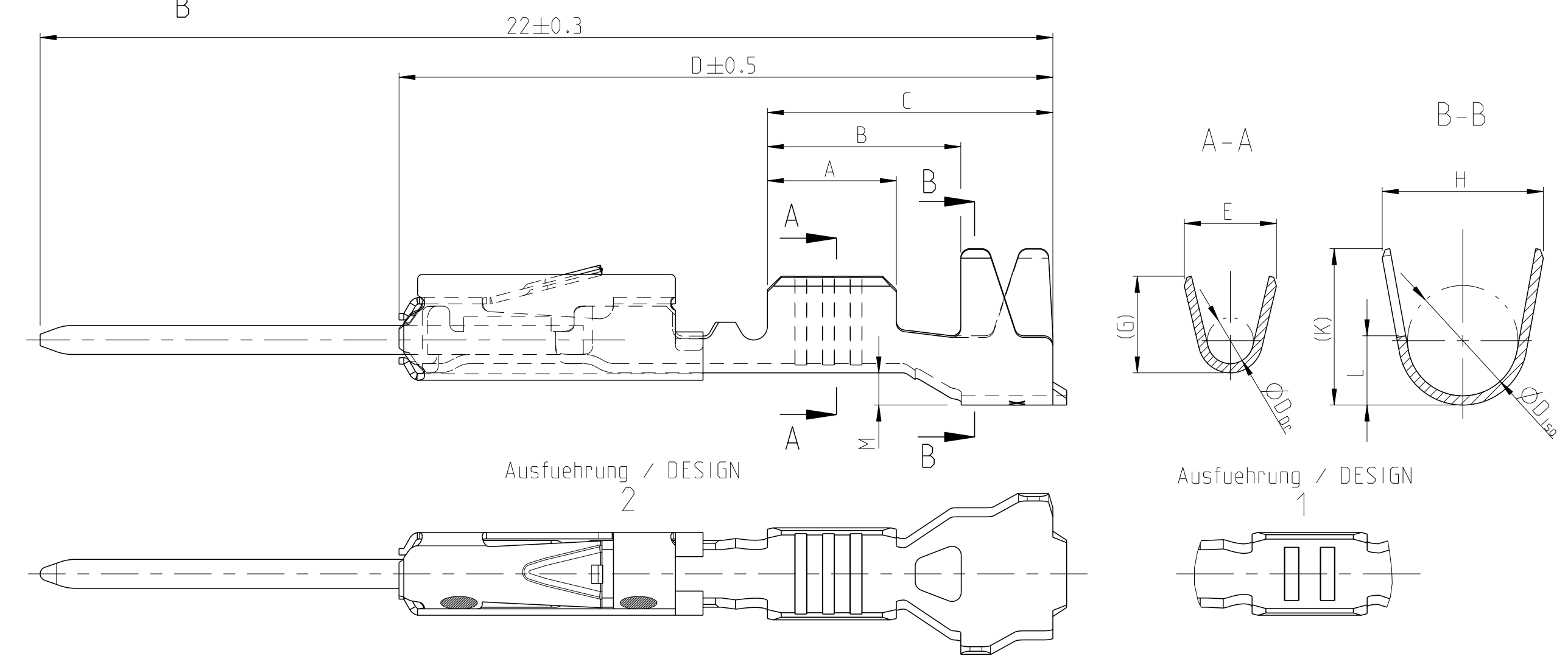
Ausfuehrung / DESIGN 3



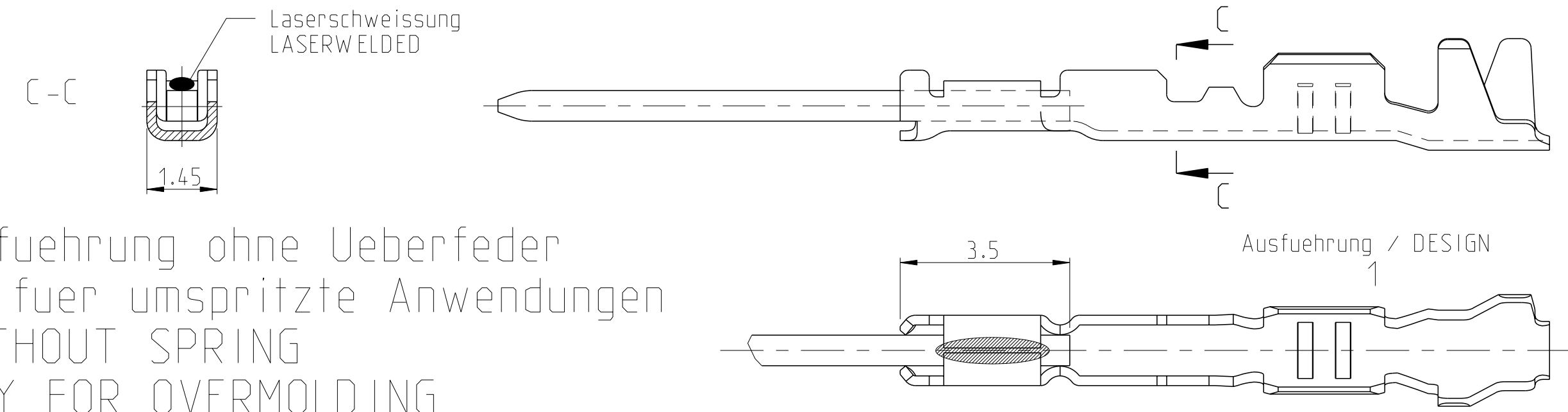
Ausfuehrung / DESIGN 3



Einzeldichtungssystem
 SINGLE WIRE SEAL SYSTEM



Ausfuehrung ohne Ueberfeder
 nur fuer umspritzte Anwendungen
 WITHOUT SPRING
 ONLY FOR OVERMOLDING

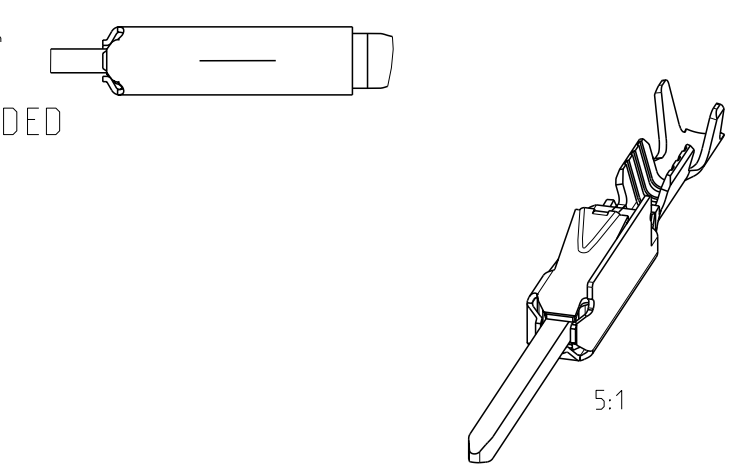


Bestell-Nr. Ausfuehrung ORDER NO. DESIGN 2	Bestell-Nr. Ausfuehrung ORDER NO. DESIGN 3	Rev.	Bestell-Nr. Ausfuehrung ORDER NO. DESIGN 1	Rev.	Ueberfeder vorhanden SPRING AVAILABLE	VERSION	DGB Wire Size Range mm ²	Oberflaeche SURFACE	Laenge LENGTH mm	Drahtcrimp WIRE CRIMP mm	Iso-crimp INSU-CRIMP mm	Gewicht WEIGHT g	Verarbeitung Spez. APPLICATION SPEC.	DGB Wire Size Range mm ²	Isolations Ø INSULATION DIA. mm	fuer Kammer Ø3.45 FOR CAVITY DIA. 3.45 mm	Blindstopfen RUBBER PLUG	fuer Kammer Ø4 FOR CAVITY DIA. 4 mm	Blindstopfen RUBBER PLUG											
5-965908-3	A				ja / YES	Einzeldichtungssystem SINGLE WIRE SEAL SYSTEM	0.50-0.75	Ag	A = 2.8 B = 4.2 C = 6.2 D = 14.3 M = 0.7	E = 2 G = 2.1 D _{Dr} = 1	H = 3.5 K = 3.4 L = 1.5 D _{ISO} = 2.4	0.18	0.75	1.4-1.9	gruen GREEN	967067-1	967056-1 blau / BLUE	963142-1 schwarz BLACK	963143-1 weiss / WHITE											
5-965908-2	F	965908-2	E	ja / YES	0.25-0.35															Sn	A = 2.5 B = 3.5 C = 5.9 D = 14 M = 0.7	E = 1.8 G = 1.8 D _{Dr} = 0.8	H = 3.5 K = 3.4 L = 1.5 D _{ISO} = 2.4	0.16	0.35	0.9-1.4	gelb YELLOW	967067-2	963142-2 grau GREY	963143-1 weiss / WHITE
5-965908-1	D	965908-1	C	ja / YES																										
-	-	1-962886-1	N	nein / NO	0.50-0.75	Au	A = 2.8 B = 3.8 C = 5.6 D = 13.65 M = 0.2	E = 2 G = 2.1 D _{Dr} = 1	H = 2.7 K = 2.9 L = 0.7 D _{ISO} = 1.6	0.17	0.17	-	-	-	-	-	-													
5-962886-3	A			ja / YES														0.25-0.35	Sn	A = 2.5 B = 3.6 C = 5.6 D = 13.65 M = 0.2	E = 1.8 G = 1.8 D _{Dr} = 0.8	H = 2.3 K = 2.3 L = 0.6 D _{ISO} = 1.4	0.16	0.12	-	-	-	-	-	-
5-962886-2	R	962886-2	M	ja / YES	0.13/0.17	Au	A = 2.5 B = 3.7 C = 5.4 D = 13.65 M = 0	E = 1.5 G = 1.4	H = 2 K = 1.9 D _{ISO} = 1.1	0.15	0.17	-	-	-	-	-	-													
5-962886-1	N	962886-1	M	ja / YES														0.08-0.22	Sn	A = 2.5 B = 3.7 C = 5.4 D = 13.65 M = 0	E = 1.5 G = 1.5 D _{Dr} = 0.65	H = 2 K = 2 D _{ISO} = 1.1	0.15	0.15	-	-	-	-	-	-
6-963716-2	A			nein / NO	0.50-0.75	Au	A = 2.5 B = 3.7 C = 5.4 D = 13.65 M = 0	E = 1.5 G = 1.4	H = 2 K = 1.9 D _{ISO} = 1.1	0.15	0.15	-	-	-	-	-	-													
6-963716-1	A			nein / NO														0.08-0.22	Sn	A = 2.5 B = 3.7 C = 5.4 D = 13.65 M = 0	E = 1.5 G = 1.5 D _{Dr} = 0.65	H = 2 K = 2 D _{ISO} = 1.1	0.15	0.15	-	-	-	-	-	-
-	-	1-963716-2	B	nein / NO	0.13/0.17	Ag	A = 2.5 B = 3.7 C = 5.4 D = 13.65 M = 0	E = 1.5 G = 1.4	H = 2 K = 1.9 D _{ISO} = 1.1	0.15	0.15	-	-	-	-	-	-													
5-963716-3	A			ja / YES														0.25-0.35	Au	A = 2.5 B = 3.6 C = 5.6 D = 13.65 M = 0.2	E = 1.8 G = 1.8 D _{Dr} = 0.8	H = 2.3 K = 2.3 L = 0.6 D _{ISO} = 1.4	0.16	0.12	-	-	-	-	-	-
5-963716-2	Z	963716-2	Y	ja / YES	0.13/0.17	Sn	A = 2.5 B = 3.6 C = 5.6 D = 13.65 M = 0.2	E = 1.8 G = 1.8 D _{Dr} = 0.8	H = 2.3 K = 2.3 L = 0.6 D _{ISO} = 1.4	0.16	0.12	-	-	-	-	-	-													
5-963716-1	W	963716-1	V	ja / YES														0.08-0.22	Au	A = 2.5 B = 3.6 C = 5.6 D = 13.65 M = 0.2	E = 1.8 G = 1.8 D _{Dr} = 0.8	H = 2.3 K = 2.3 L = 0.6 D _{ISO} = 1.4	0.16	0.12	-	-	-	-	-	-
6-928918-3	Z	963716-2	Y	ja / YES	0.13/0.17	Sn	A = 2.5 B = 3.6 C = 5.6 D = 13.65 M = 0.2	E = 1.8 G = 1.8 D _{Dr} = 0.8	H = 2.3 K = 2.3 L = 0.6 D _{ISO} = 1.4	0.16	0.12	-	-	-	-	-	-													
6-928918-2	A			ja / YES														0.08-0.22	Au	A = 2.5 B = 3.6 C = 5.6 D = 13.65 M = 0.2	E = 1.8 G = 1.8 D _{Dr} = 0.8	H = 2.3 K = 2.3 L = 0.6 D _{ISO} = 1.4	0.16	0.12	-	-	-	-	-	
6-928918-1	W	963716-1	V	ja / YES	0.13/0.17	Sn	A = 2.5 B = 3.6 C = 5.6 D = 13.65 M = 0.2	E = 1.8 G = 1.8 D _{Dr} = 0.8	H = 2.3 K = 2.3 L = 0.6 D _{ISO} = 1.4	0.16	0.12	-	-	-	-	-														
5-928918-2	A			nein / NO													0.50-0.75	Au	A = 2.5 B = 3.6 C = 5.6 D = 13.65 M = 0.2	E = 1.8 G = 1.8 D _{Dr} = 0.8	H = 2.3 K = 2.3 L = 0.6 D _{ISO} = 1.4	0.16	0.12	-	-	-	-	-		
5-928918-1	W	928918-1	V	nein / NO	0.13/0.17	Sn	A = 2.5 B = 3.6 C = 5.6 D = 13.65 M = 0.2	E = 1.8 G = 1.8 D _{Dr} = 0.8	H = 2.3 K = 2.3 L = 0.6 D _{ISO} = 1.4	0.16	0.12	-	-	-	-	-														
214-1830-3	A			ja / YES													0.08-0.22	Au	A = 2.5 B = 3.6 C = 5.6 D = 13.65 M = 0.2	E = 1.8 G = 1.8 D _{Dr} = 0.8	H = 2.3 K = 2.3 L = 0.6 D _{ISO} = 1.4	0.16	0.12	-	-	-	-	-		
214-1830-2	A			ja / YES	0.13/0.17	Sn	A = 2.5 B = 3.6 C = 5.6 D = 13.65 M = 0.2	E = 1.8 G = 1.8 D _{Dr} = 0.8	H = 2.3 K = 2.3 L = 0.6 D _{ISO} = 1.4	0.16	0.12	-	-	-	-															
214-1830-1	A			ja / YES												0.08-0.22	Au	A = 2.5 B = 3.6 C = 5.6 D = 13.65 M = 0.2	E = 1.8 G = 1.8 D _{Dr} = 0.8	H = 2.3 K = 2.3 L = 0.6 D _{ISO} = 1.4	0.16	0.12	-	-	-	-				
1355719-3	A			ja / YES	0.13/0.17	Sn	A = 2.5 B = 3.6 C = 5.6 D = 13.65 M = 0.2	E = 1.8 G = 1.8 D _{Dr} = 0.8	H = 2.3 K = 2.3 L = 0.6 D _{ISO} = 1.4	0.16	0.12	-	-	-	-															
1355719-2	C			ja / YES												0.08-0.22	Au	A = 2.5 B = 3.6 C = 5.6 D = 13.65 M = 0.2	E = 1.8 G = 1.8 D _{Dr} = 0.8	H = 2.3 K = 2.3 L = 0.6 D _{ISO} = 1.4	0.16	0.12	-	-	-	-				
1355719-1	C			ja / YES	0.13/0.17	Sn	A = 2.5 B = 3.6 C = 5.6 D = 13.65 M = 0.2	E = 1.8 G = 1.8 D _{Dr} = 0.8	H = 2.3 K = 2.3 L = 0.6 D _{ISO} = 1.4	0.16	0.12	-	-	-	-															

NOTES

Bemerkungen

- Datumscode (Woche/Jahr z.B. KW 38/Jahr2009) und TE-Revision (z.B. Rev. A)
 DATE CODE (WEEK/YEAR E.G. WEEK NUMBER 38/YEAR2009) AND TE REVISION (E.G. REV. A)
- Passend zu Buchsenkontakt siehe Zeichnung 929454
 SUITABLE FOR SOCKET CONTACT SEE DRAWING 929454
- Einzelheiten der Ausfuehrung bleiben dem Hersteller ueberlassen
 DETAILS OF DESIGN ARE LEFT TO MANUFACTURER
- Nur fuer FLR-Leitung nach DIN 72551 Teil 6
 FOR FLR-CONDUCTOR ACCORDING TO DIN 72551-6 ONLY
- nicht fuer Neuanwendung
 NOT FOR NEW APPLICATION
- zugverstaerkte Leitung nach LV 112-4
 REINFORCED WIRE ACCORDING LV 112-4
- Bei doppelt fallenden Werkzeugen wird die erste Ueberfeder mit einer Kennzeichnung "-" versehen
 WITH DOUBLE OUT DIES THE FIRST SPRING WILL BE PROVIDED WITH AN INDICATION "-"



THIS DRAWING IS A CONTROLLED DOCUMENT.		OWN: S.Garcia 06JAN1999	TE Connectivity
DIMENSIONS: mm		CHK: R.Jetter 06JAN1999	
TOLERANCES UNLESS OTHERWISE SPECIFIED:		APVD: M.Bleicher 13AUG2003	
MATERIAL: -		NAME: MQS	
FINISH: -		108-18030	Tabellenzeichnung Stiftkontakt TABLE PIN CONTACT
MATERIAL: -		114-18021 / -18025	RESTRICTED TO
MATERIAL: -		WEIGHT: -	SCALE: 10:1 SHEET 1 OF 1 REV: C27
MATERIAL: -		CUSTOMER DRAWING	