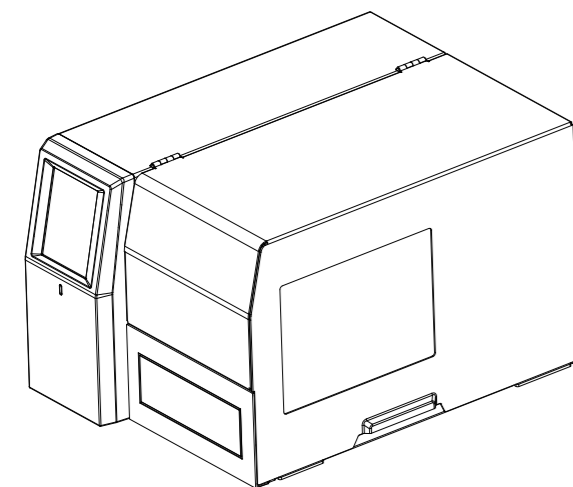




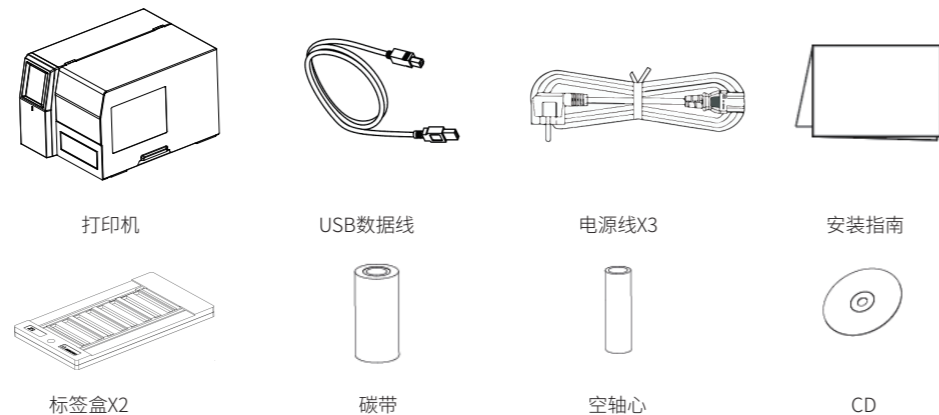
# 快速安装指南

## PTT-00AH



宁波高松电子有限公司  
地址:中国宁波慈溪市逍林镇逍林大道1585号  
电话:+86-400-885-2488  
网址:www.degson.com

### 开箱清单

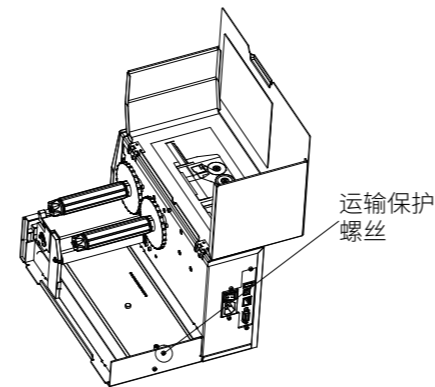


注意: 箱内实际内容以出货清单为准。

### 解锁运输保护装置

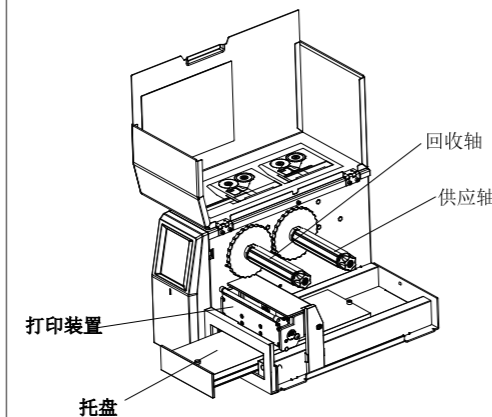
在运输过程中为防止托盘滑出,使用螺丝固定。

注意: 打印机开机前务必卸下此螺丝, 否则将损坏打印机。

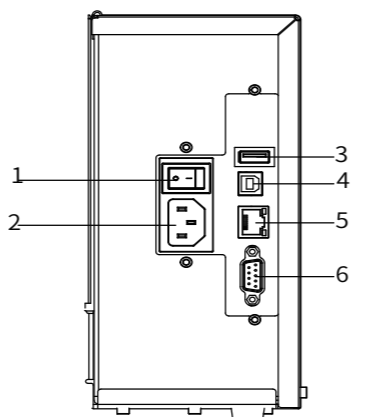


### 外观及组件

前视



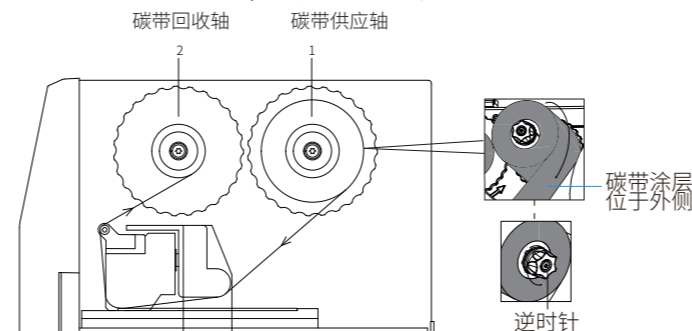
后视



1 电源开关 2 电源插座 3 USB接口  
4 Type-B接口 5 以太网口 6 RS-232接口

### 安装碳带

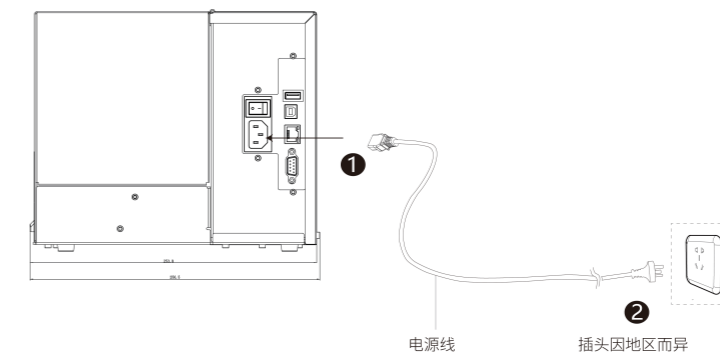
注意: 为避免打印头受到磨损, 请使用比介质宽的碳带。



1. 将碳带卷筒推到供应轴(1)上, 这样可使碳带的涂层面在退绕时朝下; 再逆时针旋紧碳带供应轴螺母以固定碳带。  
\*此打印机的碳带卷筒的碳带涂层面在卷绕外侧, 注意图中所示的退绕方向。如果有色涂层面的位置不正确, 色带膜可能会粘在打印头上。
2. 将一个空的碳带卷筒芯推到回收轴(2)上。
3. 按图示路径引导碳带穿过打印单元。
4. 用胶带将碳带起始端居中固定在空的碳带卷筒芯上。请注意, 卷绕器的转动方向为逆时针方向。  
\*逆时针转动碳带回收轮, 使碳带回卷平整。

### 连接主电源电缆

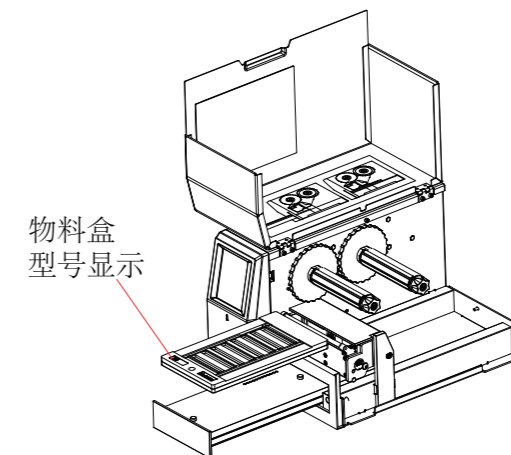
按下图所示连接打印机电源:



### 插入物料盒

注意: 夹伤危险。  
在隔间移入和移出时, 请确保没有身体的任何部分或其他物件位于隔间的工作范围内。

1. 移出隔间。为此, 请触摸显示屏上相应的“托盘控制”按钮。
2. 将物料盒放到隔间中的定位器内。
3. 将物料盒向下移动使其被销钉卡住并停在隔间上。
4. 使用显示屏上的“托盘控制”按钮关闭隔间。



注意: 驱动和打印配置操作详情请参考CD中的《PTT-00AH用户手册》。

警告:  
在居住环境中, 运行此设备可能会造成无线电干扰。

### 产品保修卡

尊敬的用户:  
为了保障您的权益以及为您提供更优质的售后服务, 请您在购买产品时仔细填写并保留此卡, 进行维修服务时请与购买发票一同出示!

用户名称: \_\_\_\_\_  
联系地址: \_\_\_\_\_省 \_\_\_\_\_市 \_\_\_\_\_区(县)  
联系电话: \_\_\_\_\_  
产品型号(序列号): \_\_\_\_\_

(请将不干胶条码标签贴于此)

经销商名称(盖章): \_\_\_\_\_  
联系地址: \_\_\_\_\_  
联系电话: \_\_\_\_\_  
购买日期: \_\_\_\_\_年 \_\_\_\_\_月

**FCC WARNING :**

This device complies with part 15 of the FCC Rules. Operation is subject to the following two conditions: (1) this device may not cause harmful interference, and (2) this device must accept any interference received, including interference that may cause undesired operation.

Any changes or modifications not expressly approved by the party responsible for compliance could void the user's authority to operate the equipment.

NOTE: This equipment has been tested and found to comply with the limits for a Class A digital device, pursuant to part 15 of the FCC Rules. These limits are designed to provide reasonable protection against harmful interference when the equipment isoperated in a commercial environment.

This equipment generates, uses, and canradiate radio frequency energy and, if not installed and used in accordance with the instruction manual, may cause harmful interference to radio communications. Operationof this equipment in a residential area is likely to cause harmful interference in whichcase the user will be required to correct the interference at his own expense.

-- Reorient or relocate the receiving antenna.

-- Increase the separation between the equipment and receiver.

-- Connect the equipment into an outlet on a circuit different from that to which the receiver is connected.

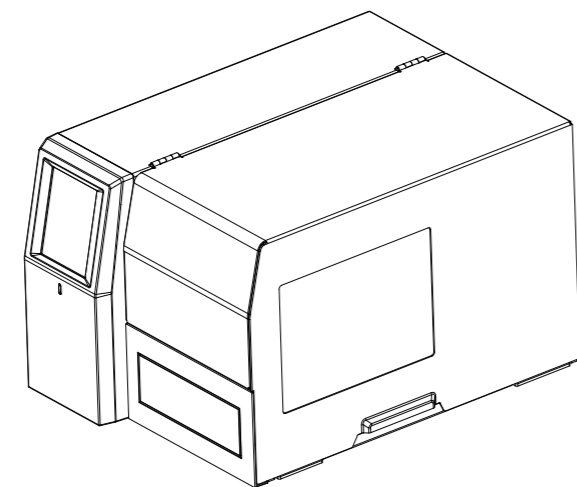
-- Consult the dealer or an experienced radio/TV technician for help.

To maintain compliance with FCC's RF Exposure guidelines, This equipment should be installed and operated with minimum distance between 20cm the radiator your body: Use only the supplied antenna.



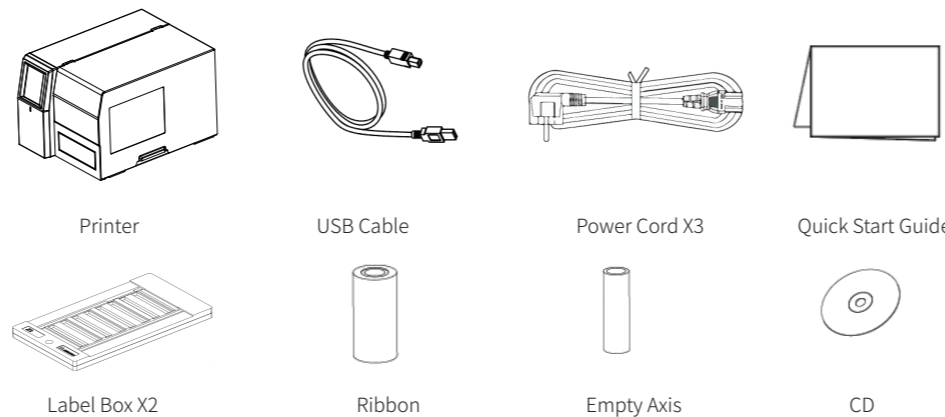
# Quick Start Guide

## PTT-00AH



DEGSON ELECTRONICS CO. , LTD.  
Add : No.1585.Xiaolin Road.Cixi.Ningbo China  
Tel: +86-574-63502882  
www.degson.com

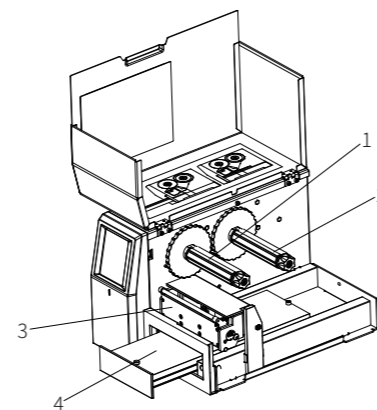
### Packing List



**Note:** The packing materials are actually based on the order.

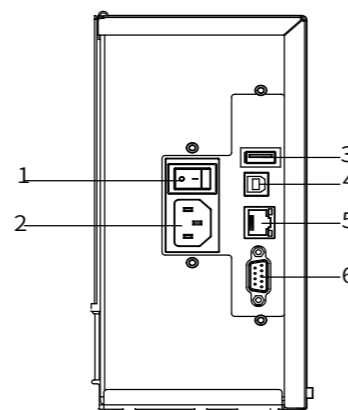
### Appearance and Components

■ Front View



1.Rewind Spindle 2. Supply Spindle  
3.Printing Equipment 4. Pallet

■ Rear View

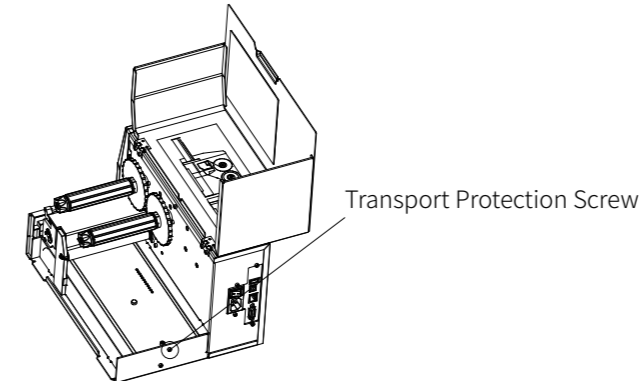


1. Power Switch 2. AC Power Port  
3. USB Host 4. Type-B Interface  
5. Ethernet Port 6. RS-232 Interface

### Unlocking Transport Protection

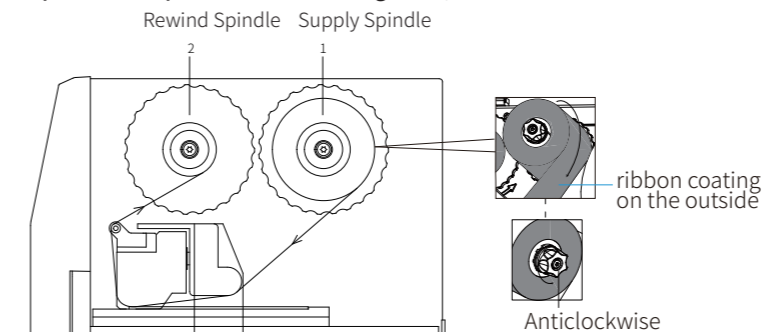
To prevent the pallet from slipping out during transportation, use screws to fix it.

**Note:** Be sure to remove this screw before starting the printer, otherwise the printer will be damaged.



### Loading the Ribbon

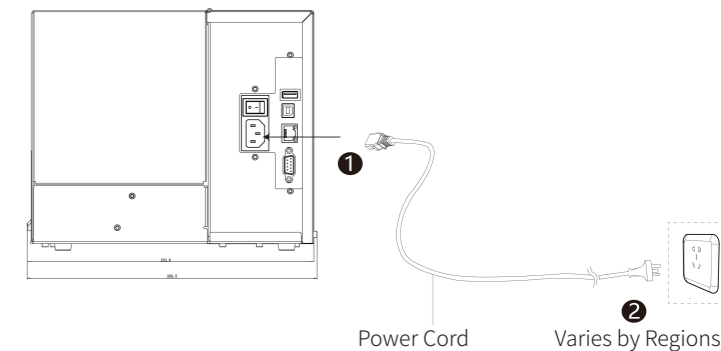
**Note:** To prevent the print head from being worn, use a ribbon wider than the media.



1.Push the ribbon reel onto the supply spindle(1) so that the coating of ribbon is facing down when unwinding; Tighten the screw of ribbon supply spindle anticlockwise to fix the ribbon.\*The coating of the ribbon of this printer is outside the winding.Pay attention to the unwinding direction shown in the figure.If the position of the colored coating layer is incorrect, the ribbon film may stick to the print head.  
2.Push an empty ribbon reel core onto the ribbon rewind spindle(2).  
3.Guide the ribbon through the print unit as shown.  
4.Center and fix the starting end of the ribbon on the empty ribbon reel core with tape.Note that the direction of rotation of the winder is anticlockwise.\*Turn the ribbon rewind weel anticlockwise to make it roll back smoothly.

### Connecting the Power

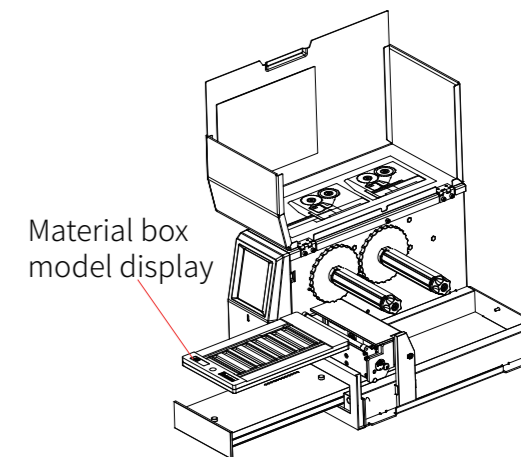
Connect the printer power as shown in the figure below:



### Loading Material Box

**Note:** Pinch wound is dangerous. When moving in and out of the compartment, please ensure that no part of your body or other objects are within the working range of the compartment.

- 1.Move out of the compartment.To do this, touch the appropriate Pallet Control button on the display.
- 2.Put the material box in the positioner in the compartment.
- 3.Move the material box down so that it is stuck by the pin and stops on the compartment.
- 4.Close the compartment using the Pallet Control on the display.



**Note:** For drive and print configuration, please refer to PTT-00AH User Manual.