

Data sheet

Commercial Art.No.: 96.151.0053.1

Connector RST20i5C B1 ZR1 SW

RST20i5 connector, 5 pole, female, for crimp contacts, application 250/400V with PE, 20A, for cable diameters 6-10mm, coding color black, color of housing black



Commercial Art.No.	96.151.0053.1
EAN	4015573932180
Order Unit	1

Certificates / Approvals



Technical data

General

Rated current	20 A
Rated voltage	250 V / 400 V
Rated impulse voltage	4 kV
strain relief	yes
Pollution degree	3
Lockable	self-locking (unlocking by tool)
Color of coding/ contact carrier	black
Marking of poles	1, 2, 3, N, PE
Color of housing inclusive strain relief	black

Connection Data

Cable diameter max.	10 mm
Cable diameter min.	6 mm
Connection cross section fine stranded mm ² max.	4 mm ²
Connection cross section fine stranded mm ² min.	0.75 mm ²
Terminations per pole	1
Connection cross section stranded AWG min.	18 AWG
Connection cross section stranded AWG max.	12 AWG
sheath strip length	37 mm
Wire strip length	7 mm

Model

Model	female
Connection type	Crimp
Degree of protection (IP)	IP66/68 (3m;2h) /IP69

Material

Housing material	Polyamide
halogen free	yes
Contact material	CuZn
Fire load	0.282 kWh
Insulation components continuous temperature	100 °C
Surface finish	Silver-plated

Dimensions

Length	80.4 mm
Width	34.6 mm
Height	34.6 mm

Classification

ECLASS 11	
ECLASS 8.1	27440605
ETIM 7.0	EC002560
ETIM 6.0	EC002560
ETIM 5.0	EC002560
ETIM 4.0	EC002560

Note

Note	Crimp contacts have to ordered separately (under fits with)
------	---

Product compliance

ROHS conformity status	Compliant
REACH-SVHC conformity status	Compliant

Accessories

Commercial Art.No.:	Article-type description:	Description:
02.125.5521.8	Female contact CRIMP RST20i4/i5 1,0QMM	RST20i5/4 crimp contact, female, 20A, for cross section 0.75-1.0 mm ² /AWG17
02.125.5621.8	Female contact CRIMP RST20i4/i5 1,5QMM	RST20i5/4 crimp contact, female, 20A, for cross section 1.5 mm ² /AWG16
02.125.5721.8	Female contact CRIMP RST20i4/i5 2,5QMM	RST20i5/4 crimp contact, female, 20A, for cross section 2.5 mm ² /AWG14
02.125.5821.8	Female contact CRIMP RST20i4/i5 4,0QMM	RST20i5/4 crimp contact, female, 20A, for cross section 4 mm ² /AWG12
99.530.0000.7	Cover for female connector SW	RST20i5/4 cover piece, for covering unused female connectors, with fastening belt, color black
Z5.565.9853.1	Cover for female connector SW	RST20i5/4 cover piece, for covering unused female connectors, color black
05.564.8653.1	Opener RST20i3/i5 SCHWARZ	Manual disconnect for later installation of RST connectors, color black

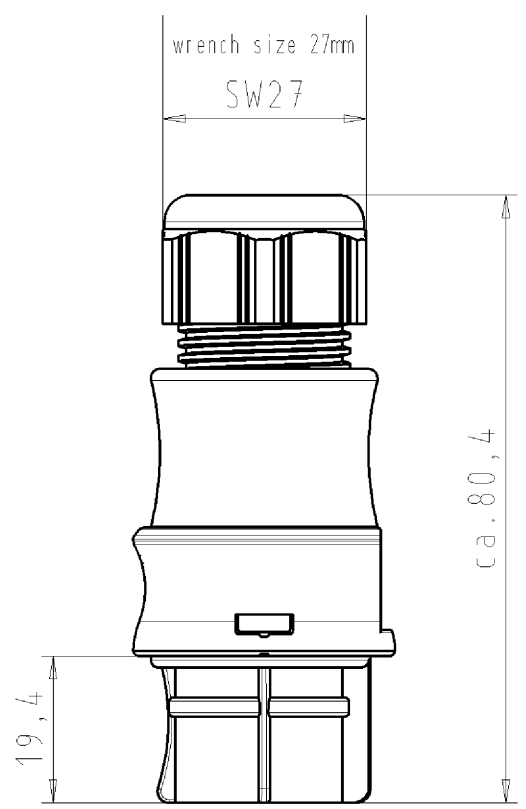
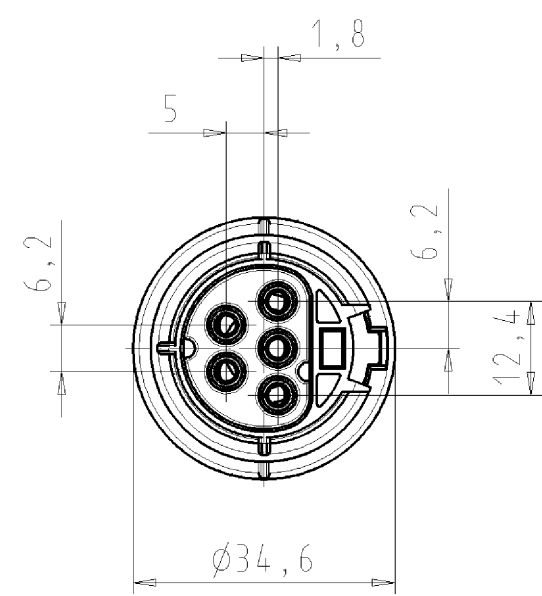
Fits with

Commercial Art.No.:	Article-type description:	Description:
---------------------	---------------------------	--------------

96.152.0053.1	Connector RST20I5C S1 ZR1 V SW	RST20i5 connector, 5 pole, male, for crimp contacts, application 250/400V with PE, 20A, for cable diameters 6-10mm, coding color black, color of housing black
96.154.0053.1	Connector RST20I5C S1 YR1 V SW	RST20i5 connector (90° angled), 5 pole, male, for crimp contacts, application 250/400V with PE, 20A, for cable diameters 6-10mm, coding color black, color of housing black
96.152.1053.1	Device connector RST20I5C S1 M01V SW	RST20i5 device connector M25, 5 pole, male, for crimp contacts, application 250/400V with PE, 20A, coding color black
96.152.2153.1	Device connector RST20I5C S1 M03V SW	RST20i5 device connector M16, 5 pole, male, for crimp contacts, modular, application 250/400V with PE, 20A, coding color black, color of housing black
96.152.2053.1	Device connector RST20I5C S1 M00V SW	RST20i5 device connector M20, 5 pole, male, for crimp contacts, modular, application 250/400V with PE, 20A, coding color black, color of housing black
96.154.2053.1	Device connector RST20I5C S1 M90V SW	RST20i5 device connector (90° angled) M20, 5 pole, male, for crimp contacts, modular, application 250/400V with PE, 20A, coding color black, color of housing black
96.154.2253.1	Device connector RST20I5C S1 M91V SW	RST20i5 device connector (90° angled) M25, 5 pole, male, for crimp contacts, modular, application 250/400V with PE, 20A, coding color black, color of housing black

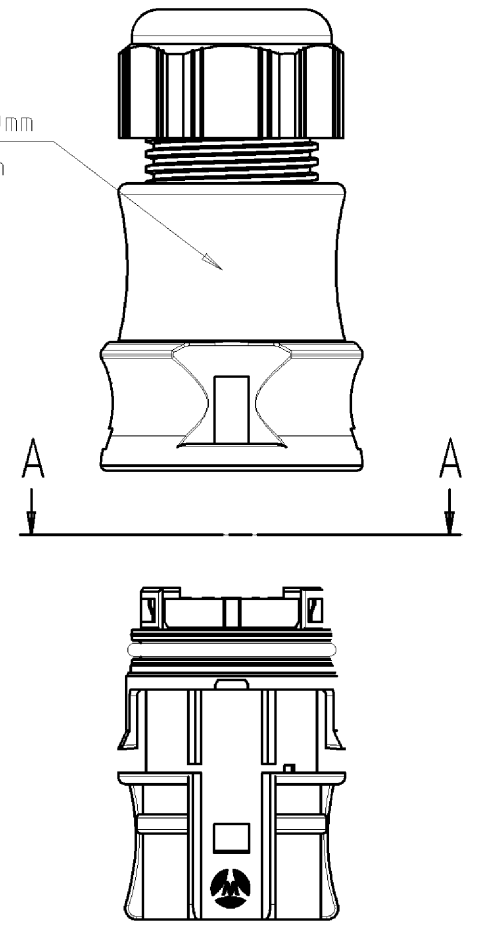
These dimensions will be especially checked at delivery
 Only inspection dimensions
 With /E marked dimensions are only valid for internal use

Diese Maße werden bei Abnahme besonders geprüft
 Ausschließlich Prüfmaße
 Mit /E gekennzeichnete Maße sind nur für interne Zwecke gültig

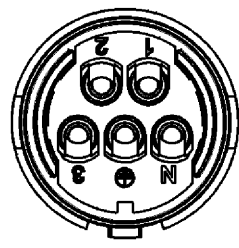


Auslieferungszustand delivery status

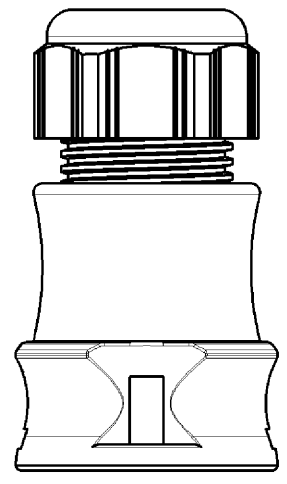
for cable diameter 6-10mm
 für Kabeldurchm. 6-10mm



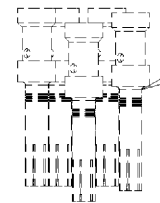
A-A



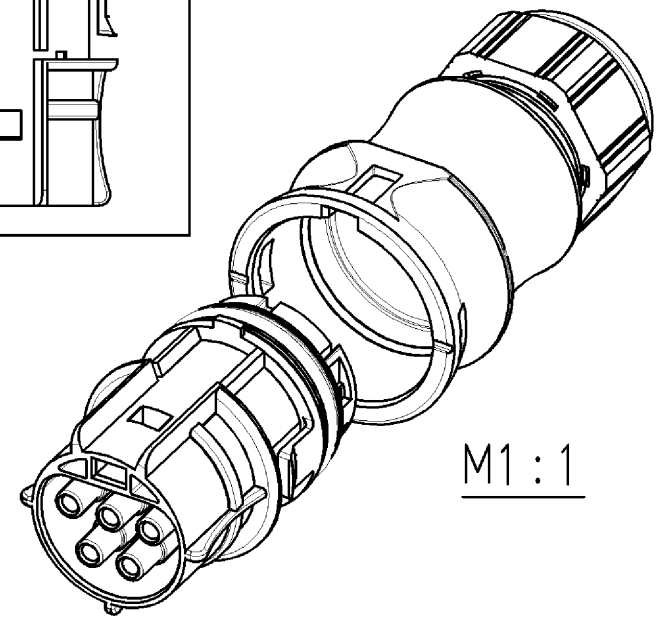
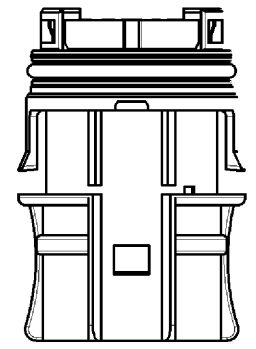
Bestellhinweis order info



Bitte separat bestellen:
 Buchsenkontakte
 02.125.55/56/57/5821.8



female contact
 02.125.55/56/57/5821.8
 must be ordered separately



M1:1

Verpackungseinheit: je 100 Stück
 packaging unit: per 100

Teile-Nr./ part-nr.	Farbe:/ color:	Type
96.151.0053.1	schwarz, ähnl. RAL 9005/ black, similar to RAL 9005	RST2015C B1 ZR1 SW
96.151.0053.0	lichtgrau, ähnl. RAL 7035/ lightgrey, similar to RAL 7035	RST2015C B1 ZR1 GL

Tolerierung nach DIN 7167/Tolerance system acc. to DIN 7167. (This DIN-standard describes the envelope principle. According to the envelope principle the deviations of form and parallelism are limited by the size tolerances).		ja/yes <input checked="" type="checkbox"/> Stoffverbots- und Deklarationsliste nach UU-TQM-05/03 ist einzuhalten. Conformity with Wieland document UU-TQM-05/03 (list of prohibited / declarable hazardous substances) to be declared!	
Freitoleranz nach General tolerance	CAD - Zeichnung, keine manuellen Änderungen CAD - drawing, no manual modifications allowed	1. Verwendung: First Use:	Blatt: 1 von 1 Sheet: of 1
	Werkstoff/Material	2006 Tag/Date Name	Zeichnung Nr./Drawing No. Index T 96.151.0053.0 01K
	Maßstab/Scale 1:1	gezeichnet/drawn 22.08. Kneitz geprüft/checked - Nicht gepr./Stand. check -	
	Vol. mm ³ Ofl./Surf. mm ²	Ersatz für/Replacement for: -	
	wieland	Type	Benennung/Title BUCHSENTEIL MIT ZUGENTLASTUNG
Index Datum / Blatt Date / Sheet	Änderung/Revision	female connector with cord grip für Crimpanschluss/for crimp barrel Standardkodierung 0/standard-keying 0 (400V/250V/20A)	