

Data sheet

Commercial Art.No.: X6.032.6053.0

Device connector RST20I3SXS1 M00V GL

RST20i3 device connector M20with ATEX-authorization, , 3 pole, male, screw connection, modular, application 250V with PE, 20A, coding color light grey, color of housing light grey



Commercial Art.No.	X6.032.6053.0
EAN	4015573989061
Order Unit	1

Certificates / Approvals

SEV-Ex

Technical data

Classification

ECLASS 11	
ECLASS 8.1	27440602
ETIM 7.0	EC002566
ETIM 6.0	EC002566
ETIM 5.0	EC002566
ETIM 4.0	EC002566

General

Rated current	20 A
Rated voltage	250 V
Pollution degree	3
Rated impulse voltage	4 kV
Continuity resistor	3 mOhm
Lockable	self-locking (unlocking by tool)
Color of coding/ contact carrier	light grey
Marking of poles	L, N, PE
Color of separate adapter (if present)	light grey
Explosion-tested version	yes

Model

Model	male
Connection type	screw connection
Connecting thread metric	M20
Angle of plug	straight

Degree of protection (IP)	IP66/68 (3m;2h) /IP69
Thickness of housings (electrical device) 2	0.5 mm
Thickness of housings (electrical device)	8 mm

Material

Housing material	Polyamide
halogen free	yes
Contact material	CuZn
Fire load	0.187 kWh
Insulation components continuous temperature	100 °C
Surface finish	Silver-plated

Connection Data

Connection cross section solid mm ² max.	4 mm ²
Connection cross section solid mm ² min.	1.5 mm ²
Connection cross section fine stranded mm ² max.	4 mm ²
Connection cross section fine stranded mm ² min.	1.5 mm ²
Terminations per pole	1
Wire strip length	8 mm

Dimensions

Length	65.3 mm
Width	35 mm
Height	35 mm

Note

Note	RST® terminals with screw clamping allow the connection of conductors without special preparation (without ferrules) according to EN 60999-1.; Positioning realised with flattened thread
------	---

Product compliance

ROHS conformity status	Compliant/Exempted
ROHS exceptions	III-6(c)
REACH-SVHC conformity status	Duty-To-Declare
REACH-SVHC substances	Lead
REACH-SVHC CAS numbers	7439-92-1

Accessories

Commercial Art.No.:	Article-type description:	Description:
05.564.4453.0	Cover for male connector GL	RST20i3/2 cover piece, for covering unused male connectors, color light grey
99.415.6205.2	Cover for male connector GL	RST20i3/2 cover piece, for covering unused male connectors, with fastening belt, color light grey

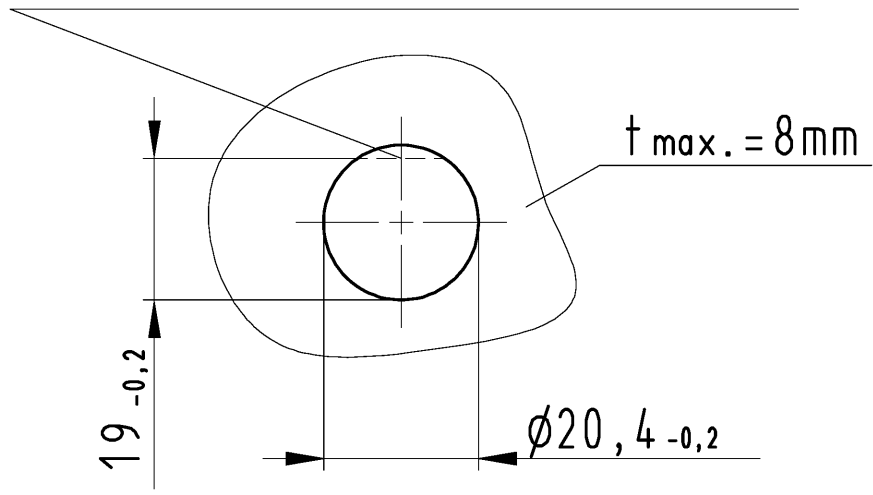
Fits with

Commercial Art.No.:	Article-type description:	Description:
---------------------	---------------------------	--------------

X6.031.4053.0	Connector RST20I3SXB1 ZR1 GL	RST20i3 connector with ATEX-authorization, 3 pole, female, screw connection, application 250V with PE, 20A, for cable diameters 6-10mm, coding color light grey, color of housing light grey
X6.031.4153.0	Connector RST20I3SXB1 ZR2 GL	RST20i3 connector with ATEX-authorization, 3 pole, female, screw connection, application 250V with PE, 20A, for cable diameters 10-14mm, coding color light grey, color of housing light grey
X6.031.4253.0	Connector RST20I3SXB2 ZRX GL	RST20i3 splitter connector with ATEX-authorization, 3 pole, female, screw connection, application 250V with PE, 20A, for cable diameters 6-10mm, coding color light grey, color of housing light grey
X6.031.4353.0	Connector RST20I3SXB2 ZRY GL	RST20i3 splitter connector with ATEX-authorization, 3 pole, female, screw connection, application 250V with PE, 20A, for cable diameters 10-14mm, coding color light grey, color of housing light grey

M20 & M16 7°

wahlweise Verdrehsicherung
optional protection against twisting



Bitte beachten:

Gehäusematerial, Wandstärken, Lackierung und Entgratung können die Passgenauigkeit beeinflussen.

Please note:

Panel material and thickness, deburring and coating thickness may influence the cut out dimension.

These dimensions will be especially checked at delivery
Only inspection dimensions
With /E marked dimensions are only valid for internal use

Diese Maße werden bei Abnahme besonders geprüft
Ausschließlich Prüfmaße
Mit /E gekennzeichnete Maße sind nur für interne Zwecke gültig

Weitergabe sowie Vervielfältigung dieses Dokuments, Verwertung und Mitteilung seines Inhalts sind verboten, soweit nicht ausdrücklich gestattet. Die Reproduktion, Distribution und Utilization of this document as well as the communication of its contents to others without express authorization is prohibited.

Tolerierung Size ISO 14405(E)/Tolerance system Size ISO 14405(E). (This ISO-standard describes the envelope principle. According to the envelope principle the deviations of form and parallelism are limited by the size tolerances).				ja/yes <input checked="" type="checkbox"/> Stoffverbots- und Deklarationsliste nach WN 5020.010 ist einzuhalten. Conformity with Wieland document WN 5020.010 e (list of prohibited / declarable hazardous substances) to be declared!			
Freitoleranz nach General tolerance		CAD - Zeichnung, keine manuellen Änderungen CAD - drawing, no manual modifications allowed		1.Verwendung: - First Use:		Blatt: 1 von 1 Sheet: 1 of 1	
	/	Werkstoff/Material	2015	Tag/Date	Name	Zeichnung Nr./Drawing No.	
	/		gezeichnet drawn	11.06.	Dütsch T.	96.031.2053.1 14K	
	/		geprüft checked	-	-		
	/		Normgepr. Stand. check	-	-	Maße in mm/Dimensions are in mm	
	/	Vol. mm ³	Ofl./Surf. mm ²	Ersatz für/Replacement for: -			
	/	 wieland www.wieland-electric.com		Type	Benennung/Title		
	/			OPENING DIMENSION OEFFNUNGSMASSBILD			
Index	Datum / Blatt Date / Sheet			Geräteanschluss / device connectors M20 & M16 7°			
Änderung/Revision							