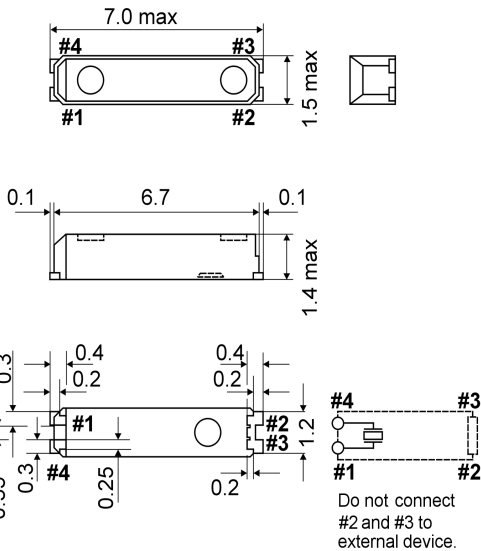


Quartz Crystal

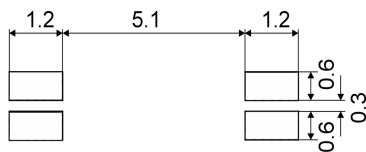
SMD-version

part no.	12.xxxxx
model	KX – 327L
frequency	32.768 kHz
operating temperature	standard -20° ~ +70°C available -40° ~ +85°C (= KX-327LT)
frequency tolerance at +25°C	standard ±20 ppm available ±10 ppm
temperature tolerance (parabolic coefficient)	-0.035 ppm/°C ² typ., -0.040 ppm/°C ² max.
turnover temperature	+25°C ±5°C
storage temperature range	-55°C ~ +125°C
load capacitance C _L	standard 12.5 pF available 7 pF, 9 pF
series resistance R1 max.	50k Ohm typ., 65k Ohm max.
aging at +25°C (first year) max.	±3 ppm
shunt capacitance C ₀ typical	0.8 pF
drive level max.	0.001 mW
contents of reel	3000 pcs.

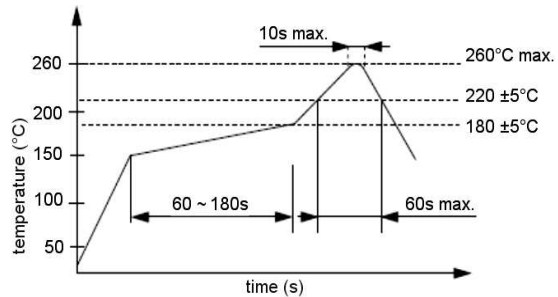
Dimensions (mm):



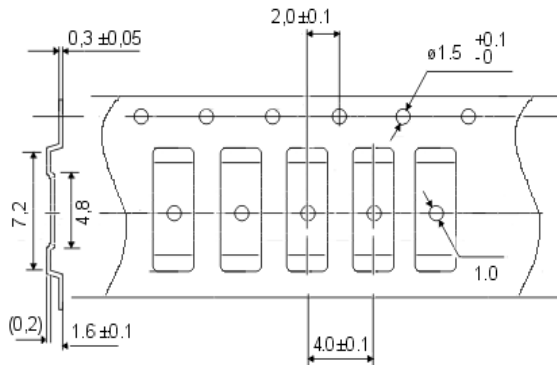
Suggested soldering pad:



Reflow soldering condition:



Tape specification:



reel diameter 180 mm