

Data sheet

Commercial Art.No.: 25.313.0653.0

Panel header 8213 S / 6 DFWW M

Feed Through-Pin Header, 6 -pole, with wire-wrap connection, without marking, pitch:
5,08 mm, series: 8214 S / 6 DFWW M



Commercial Art.No.	25.313.0653.0
EAN	4015573343481
Order Unit	50

Certificates / Approvals



Technical data

General

Modular spacing	5.08 mm
Connection type	Soldering connection
Soldering process	None
Packaging	Carton
Number of poles	6
Number of levels	1
Marking	No
Fastening	Flange
Mating direction towards (circuit) board	None

Technical data

Rated current	6.5 A
Overvoltage Category I	1000 V
Overvoltage Category II	400 V
Overvoltage Category III	250 V
Rated impulse voltage	4 kV

Technical Data UL/CSA

Voltage UL	300 V
Current field wiring	6.5 A
Current factory wiring	6.5 A
Voltage CSA	300 V
Current CSA	6.5 A

Other

Type of insulation material	Thermoplastic
Color	Grey
Height	17.5 mm
Length	50.8 mm
Depth	17.1 mm
Material contact base	CuSn

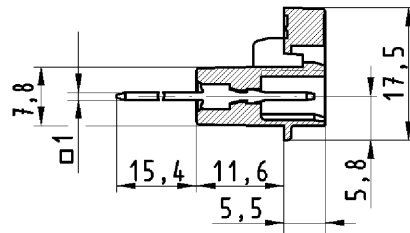
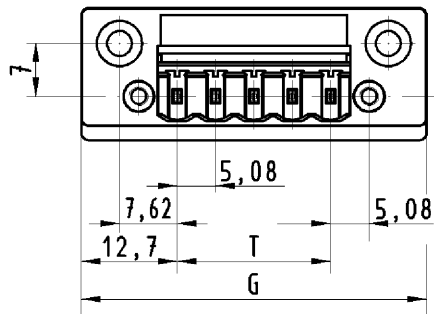
Material contact surface	Sn
--------------------------	----

Classification

ECLASS 11	
ECLASS 8.1	27440402
ETIM 7.0	EC002637
ETIM 6.0	EC002637
ETIM 5.0	EC002637
ETIM 4.0	EC002637

Product compliance

ROHS conformity status	Compliant/Exempted
ROHS exceptions	III-6(c)
REACH-SVHC conformity status	Duty-To-Declare
REACH-SVHC substances	Lead
REACH-SVHC CAS numbers	7439-92-1



für folgende Tabellen-Zchnng.:
25.303.0253.0 8213 S/... DFWW
25.313.0253.0 8213 S/... DFWW M

STIFTLLEISTE DURCHFÜHRUNG
25.313.0253.0 10W
16.11.2007 SCJ
M 1:1