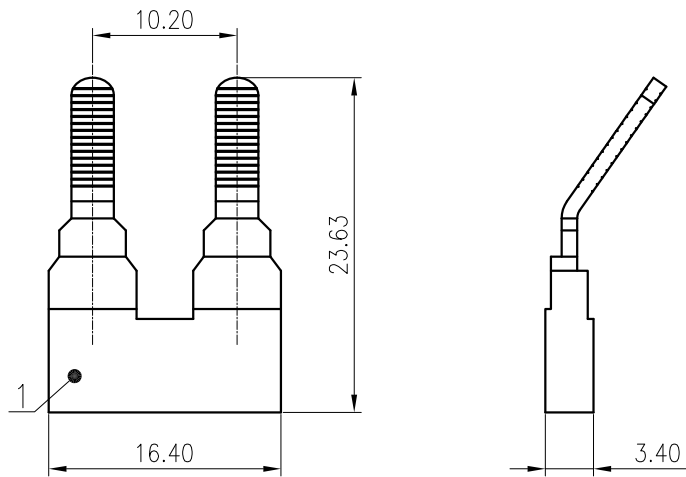


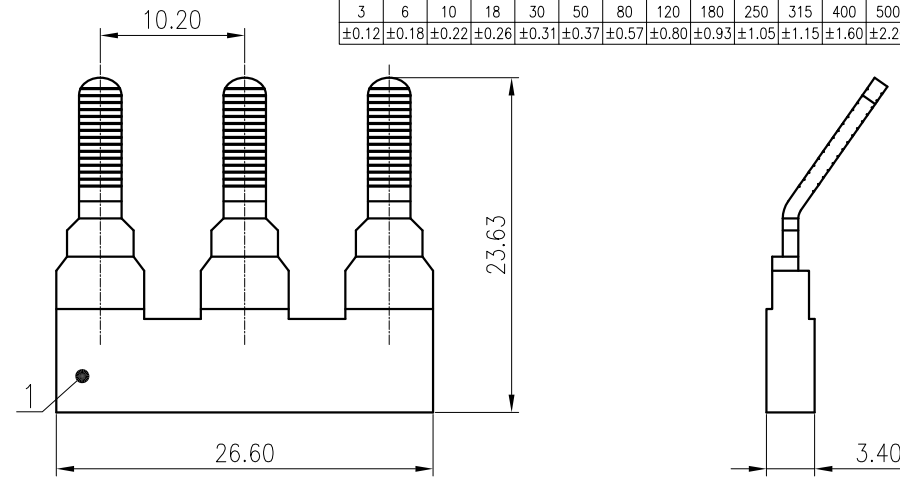
未注公差/General tolerances(mm)											0.1/10		
0	>3	>6	>10	>18	>30	>50	>80	>120	>180	>250		>315	>400
±0.12	±0.18	±0.22	±0.26	±0.31	±0.37	±0.57	±0.80	±0.93	±1.05	±1.15	±1.60	±2.20	±2.50

A



02P

B

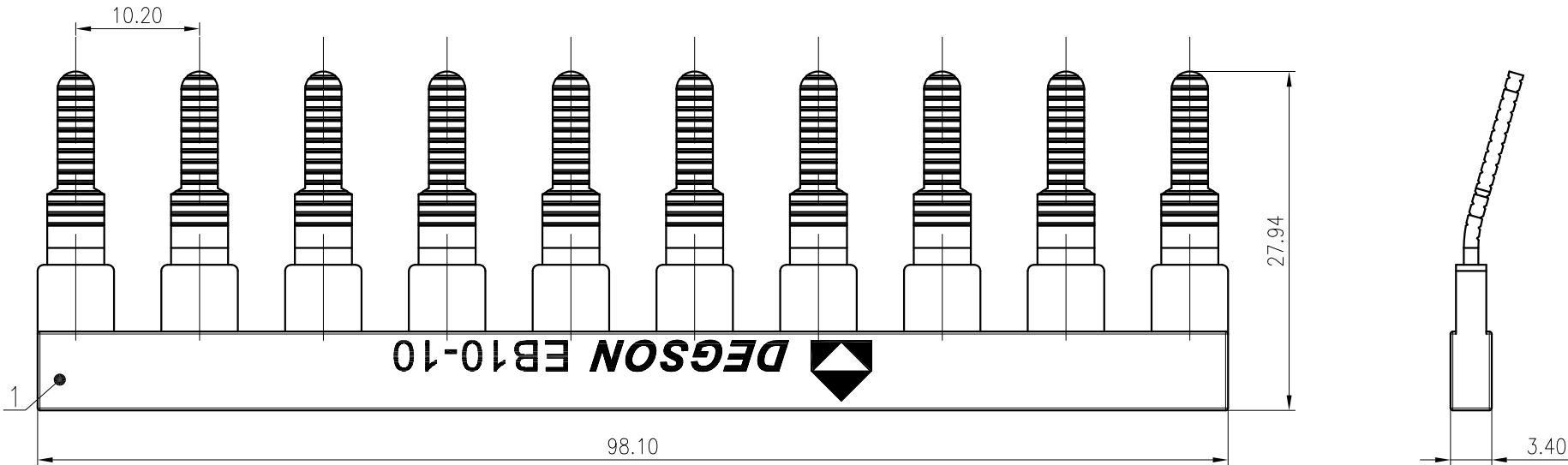


03P

A

B

C



10P

D

MATERIAL: /	SURFACE: /	
MAT NO.: /	宁波高松电子有限公司 NINGBO DEGSON ELECTRICAL CO., LTD	
STATUS: /		
APPD: Li GL 2020.06.10	NAME: EBXX-10-1Y-00A(H)	
CHKD: Mao J 2020.06.10	DRAWING NO.: EBXX-10-C01	REV TO
DRFT: Chen K 2020.06.03	TYPE: CUSTOMER DRAWING	SCALE: 2:1 SHEET 1/1

1	Bridge		
ITEM	NAME OF PART	MATERIAL	NOTES
间距/Pitch(mm)/线数范围/Poles		10.2/N=02P,03P,10P	
使用温度范围/Operating temperature(°C)		-40~+105	
符合RoHS环保要求/Conform to RoHS		Yes	

REV	ECN	DESCRIPTION	DRFT	DATE