

## Data sheet

Commercial Art.No.: 73.710.2553.0

Male insert HD STC 25 25

revos HD 25 pole + ground, male insert 250V/10A, crimp connection



Commercial Art.No.	73.710.2553.0
EAN	4015573230293
Order Unit	10

Certificates / Approvals



## Technical data

### General

Model	Pin insert
Inflammability class of insulation material acc. with UL94	V2
Color	Grey
Mating cycles	50
Pollution degree	3
Modular version	No
Alternative size	32/50
Operating temperature range min.	-40 °C
Operating temperature range max.	120 °C

### Connection Data

Connection type	Crimp
Number of poles	25
Plus switching contacts	0
Number of pole for rated current 2	0
Number of pole for rated current 3	0
Total number of poles (without ground contact)	25
With wire protection	No
Protective contact	yes

### Technical Data UL/CSA

Rated voltage according to UL/CSA	600 V
Rated current according CSA	10 A
Min. conductor cross section flexible wire	0.2 mm <sup>2</sup>
Max. conductor cross section flexible wire	1.5 mm <sup>2</sup>

Conductor cross section flexible AWG wire	24-16 AWG
---	-----------

#### Model

With housing	No
--------------	----

#### Contacts

Contact material	See contacts
Surface	See contacts
Contact resistance	≤ 4 mOhm
Wire strip length	4 mm

#### Screws head design/recomm. Torque

Mounting screws	H1/0.5-0.7 Nm
Ground conductor screws	M3.5/0.8-1.0 Nm Slot

#### Technical Data DIN EN 61984

Nominal voltage	250 V
Rated voltage face/ground	250 V
Nominal current	10 A
Rated impulse voltage	4 kV

#### Classification

ECLASS 11	
ECLASS 8.1	27440205
ETIM 7.0	EC000438
ETIM 6.0	EC000438
ETIM 5.0	EC000438
ETIM 4.0	EC000438
ETIM 3.0	EC000438

#### Accessories

Commercial Art.No.:	Article-type description:	Description:
05.544.0929.0	Male contact 0,2-0,56 QMM	Male contact, stamped Ø 1,6 mm, 0,2-0,56 mm <sup>2</sup> , AWG 24-20, Sn
05.544.1000.0	Male contact 0,5-1,5 QMM	Male contact, stamped Ø 1,6 mm, reel contacts, 0,75-1,5 mm <sup>2</sup> , AWG 18-16, Sn
05.544.1029.0	Male contact 0,5-1,5 QMM	Male contact, stamped Ø 1,6 mm, 0,75-1,5 mm <sup>2</sup> , AWG 18-16, Sn
05.544.1429.0	Male contact 0,5-1,5 QMM AU	Male contact, stamped Ø 1,6 mm, 0,5-1,5 mm <sup>2</sup> , AWG 20-16, Au
05.544.1400.0	Male contact 0,5-1,5 QMM AU	Male contact, stamped Ø 1,6 mm, reel contacts, 0,5-1,5 mm <sup>2</sup> , AWG 20-16, Au

#### Fits with

Commercial Art.No.:	Article-type description:	Description:
73.700.2553.0	Female insert HD BUC 25 25	revos HD 25 pole + ground, female insert 250V/10A, crimp connection
76.350.2535.0	Hood HD GOT GG 25 M20 50 A0	Hood revos HD made of aluminum, for single locking lever with cable gland M20 on the right side (IP54), low version, 25-poles
76.350.2535.2	Hood HD GOT GG 25 M20 50 A2	Hood revos HD made of aluminum, for single locking lever with nozzle M20 on the right side, low version, 25-poles

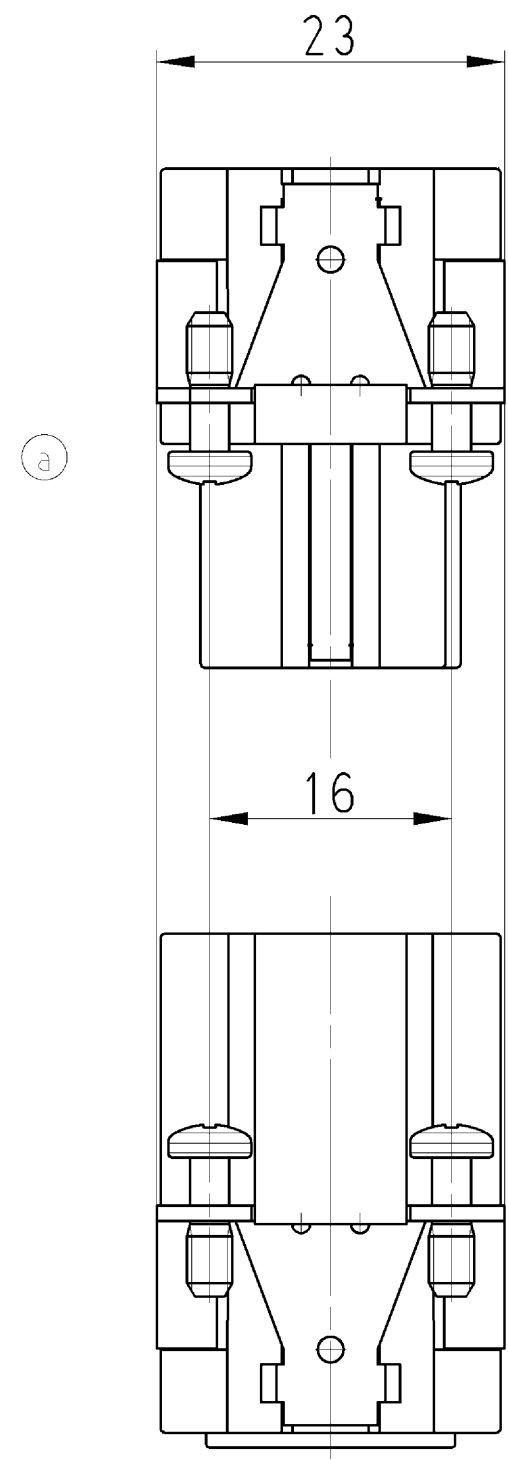
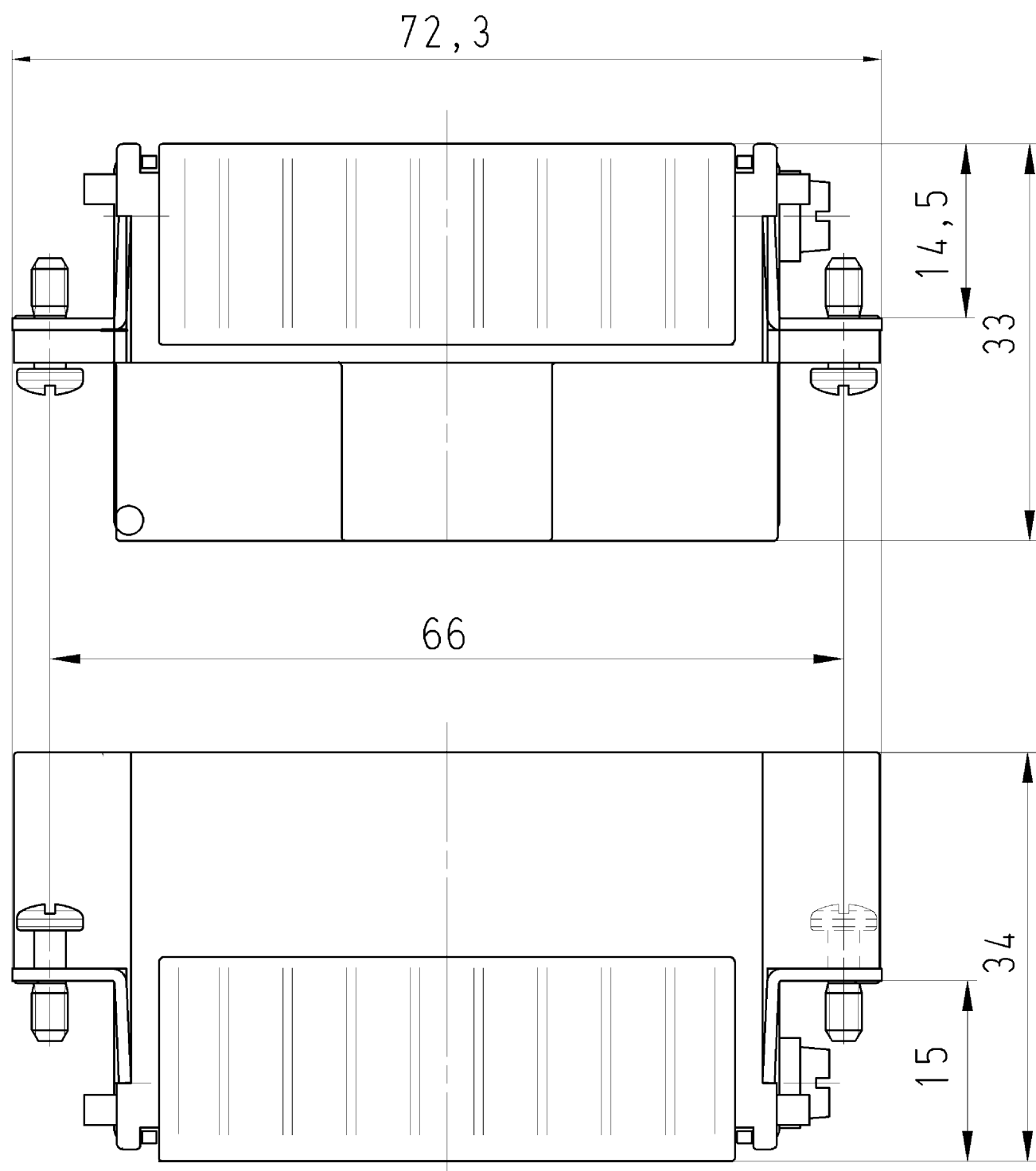
76.352.2535.0	Hood HD GOT GI 25 M20 50 A0	Hood revos HD made of aluminum, for single locking lever with cable gland M20 on the top (IP54), low version, 25-poles
76.352.2535.1	Hood HD GOT GI 25 M20 50 A1	Hood revos HD made of aluminum, for single locking lever with threaded hole M20 on the top, low version, 25-poles
76.352.2535.2	Hood HD GOT GI 25 M20 50 A2	Hood revos HD made of aluminum, for single locking lever with nozzle M20 on the top, low version, 25-poles
76.353.2535.0	Hood HD GOT GG 25 M25 50 A0	Hood revos HD made of aluminum, for single locking lever with cable gland M25 on the right side (IP54), low version, 25-poles
76.353.2535.2	Hood HD GOT GG 25 M25 50 A2	Hood revos HD made of aluminum, for single locking lever with nozzle M25 on the right side, low version, 25-poles
76.354.2535.0	Hood HD GOT GI 25 M25 50 A0	Hood revos HD made of aluminum, for single locking lever with cable gland M25 on the top (IP54), low version, 25-poles
76.354.2535.1	Hood HD GOT GI 25 M25 50 A1	Hood revos HD made of aluminum, for single locking lever with threaded hole M25 on the top, low version, 25-poles
76.354.2535.2	Hood HD GOT GI 25 M25 50 A2	Hood revos HD made of aluminum, for single locking lever with nozzle M25 on the top, low version, 25-poles
76.372.2535.0	Hood HD GOT GL 25 M20 50 A0	Hood revos HD made of aluminum, with single locking lever and cable gland M20 on the top - free cable connection (IP54), low version, 25-poles
76.372.2535.1	Hood HD GOT GL 25 M20 50 A1	Hood revos HD made of aluminum, with single locking lever and threaded hole M20 on the top - free cable connection, low version, 25-poles
76.374.2535.0	Hood HD GOT GL 25 M25 50 A0	Hood revos HD made of aluminum, with single locking lever and cable gland M25 on the top - free cable connection (IP54), low version, 25-poles
76.320.2528.0	Bottom HD GUT GK 25 50 A	Bottom-base revos HD made of aluminum, with double locking lever, open, low version, 25-poles
76.330.2535.0	Bottom HD GUT GL 25 M20 50 A0	Bottom-base revos HD made of aluminum, with single locking lever and cable gland M20 on the right and left side (IP54), low version, 25-poles
76.330.2535.1	Bottom HD GUT GL 25 M20 50 A1	Bottom-base revos HD made of aluminum, with single locking lever and threaded hole M20 on the right and left side, low version, 25-poles
76.331.2535.0	Bottom HD GUT GM 25 M20 50 A0	Bottom-base revos HD made of aluminum, with single locking lever and cable gland M20 on the left side (IP54), low version, 25-poles
76.331.2535.1	Bottom HD GUT GM 25 M20 50 A1	Bottom-base revos HD made of aluminum, with single locking lever and threaded hole M20 on the left side, low version, 25-poles
76.334.2535.0	Bottom HD GUT GL 25 M25 50 A0	Bottom-base revos HD made of aluminum, with single locking lever and cable gland M25 on the right and left side (IP54), low version, 25-poles
76.334.2535.1	Bottom HD GUT GL 25 M25 50 A1	Bottom-base revos HD made of aluminum, with single locking lever and threaded hole M25 on the right and left side, low version, 25-poles
76.335.2535.0	Bottom HD GUT GM 25 M25 50 A0	Bottom-base revos HD made of aluminum, with single locking lever and cable gland M25 on the left side (IP54), low version, 25-poles
76.335.2535.1	Bottom HD GUT GM 25 M25 50 A1	Bottom-base revos HD made of aluminum, with single locking lever and threaded hole M25 on the left side, low version, 25-poles
76.425.2528.0	Bottom HD GUT MP 25 50 A	Bottom-base revos HD made of aluminum, with single locking lever and protective cover, open, low version, 25-poles
76.440.2535.1	Bottom HD GUT MR 25 M20 50 A1	Bottom-base revos HD made of aluminum, with single locking lever and threaded hole M20 on the right and the left side, with protective cover, low version, 25-poles
76.441.2535.0	Bottom HD GUT MS 25 M20 50 A0	Bottom-base revos HD made of aluminum, with single locking lever and cable gland M20 on the left side, with protective cover (IP54), low version, 25-poles
76.441.2535.1	Bottom HD GUT MS 25 M20 50 A1	Bottom-base revos HD made of aluminum, with single locking lever and threaded hole M20 on the left side, with protective cover, low version, 25-poles

76.442.2535.1	Bottom HD GUT MN 25 M20 50 A1	Bottom-base revos HD made of aluminum, with single locking lever and threaded hole M20 on the right side, low version, 25-poles
76.444.2535.0	Bottom HD GUT MR 25 M25 50 A0	Bottom-base revos HD made of aluminum, with single locking lever and cable gland M25 on the right and the left side, with protective cover (IP54), low version, 25-poles
76.444.2535.1	Bottom HD GUT MR 25 M25 50 A1	Bottom-base revos HD made of aluminum, with single locking lever and threaded hole M25 on the right and the left side, with protective cover, low version, 25-poles
76.445.2535.0	Bottom HD GUT MS 25 M25 50 A0	Bottom-base revos HD made of aluminum, with single locking lever and cable gland M25 on the left side, with protective cover (IP54), low version, 25-poles
76.445.2535.1	Bottom HD GUT MS 25 M25 50 A1	Bottom-base revos HD made of aluminum, with single locking lever and threaded hole M25 on the left side, with protective cover, low version, 25-poles
76.446.2535.0	Bottom HD GUT MN 25 M25 50 A0	Bottom-base revos HD made of aluminum, with single locking lever and cable gland M25 on the right side (IP54), low version, 25-poles
76.446.2535.1	Bottom HD GUT MN 25 M25 50 A1	Bottom-base revos HD made of aluminum, with single locking lever and threaded hole M25 on the right side, low version, 25-poles
73.350.3235.0	Hood HD GOT GA 32 M25 69 A0	Hood revos HD made of aluminum, for double locking lever or. screw cap with cable gland M25 on the right side (IP54), low version, 32-poles
73.350.3235.1	Hood HD GOT GA 32 M25 69 A1	Hood revos HD made of aluminum, for double locking lever or. screw cap with threaded hole M25 on the right side, low version, 32-poles
73.352.3235.0	Hood HD GOT GC 32 M25 69 A0	Hood revos HD made of aluminum, for double locking lever or. screw cap with cable gland M25 on the top (IP54), low version, 32-poles
73.352.3235.1	Hood HD GOT GC 32 M25 69 A1	Hood revos HD made of aluminum, for double locking lever or. screw cap with threaded hole M25 on the top, low version, 32-poles
73.353.3235.0	Hood HD GOT GA 32 M32 69 A0	Hood revos HD made of aluminum, for double locking lever or. screw cap with cable gland M32 on the right side (IP54), low version, 32-poles
73.353.3235.1	Hood HD GOT GA 32 M32 69 A1	Hood revos HD made of aluminum, for double locking lever or. screw cap with threaded hole M32 on the right side, low version, 32-poles
73.354.3235.0	Hood HD GOT GC 32 M32 69 A0	Hood revos HD made of aluminum, for double locking lever or. screw cap with cable gland M32 on the top (IP54), low version, 32-poles
73.354.3235.1	Hood HD GOT GC 32 M32 69 A1	Hood revos HD made of aluminum, for double locking lever or. screw cap with threaded hole M32 on the top, low version, 32-poles
73.355.3235.0	Hood HD GOT GD 32 M25 69 A0	Hood revos HD made of aluminum, with double locking lever and cable gland M25 on the right side (IP54), low version, 32-poles
73.355.3235.1	Hood HD GOT GD 32 M25 69 A1	Hood revos HD made of aluminum, with double locking lever and threaded hole M25 on the right side, low version, 32-poles
73.358.3235.1	Hood HD GOT GD 32 M32 69 A1	Hood revos HD made of aluminum, with double locking lever and threaded hole M32 on the right side, low version, 32-poles
73.359.3235.1	Hood HD GOT GF 32 M25 69 A1	Hood revos HD made of aluminum, with double locking lever and threaded hole M25 on the top, low version, 32-poles
73.372.3235.1	Hood HD GOT GK 32 M25 69 A1	Hood revos HD made of aluminum, with double locking lever and threaded hole M25 on the top - free cable connection, low version, 32-poles
73.374.3235.0	Hood HD GOT GK 32 M32 69 A0	Hood revos HD made of aluminum, with double locking lever and cable gland M32 on the top - free cable connection (IP54), low version, 32-poles
73.374.3235.1	Hood HD GOT GK 32 M32 69 A1	Hood revos HD made of aluminum, with double locking lever and threaded hole M32 on the top - free cable connection, low version, 32-poles
73.320.3228.0	Bottom HD GUT GA 32 69 A	Bottom base revos HD made of aluminum, with double locking lever or. screw cap, open, low version, 32-poles

73.325.3228.0	Bottom HD GUT GE 32 69 A	Bottom-base revos HD made of aluminum, for double locking lever and with protective cover, open, low version, 32-poles
73.330.3235.0	Bottom HD GUT GB 32 M25 69 A0	Bottom-base revos HD made of aluminum, with double locking lever or. screw cap with cable gland M25 on the right and left side (IP54), low version, 32-poles
73.330.3235.1	Bottom HD GUT GB 32 M25 69 A1	Bottom-base revos HD made of aluminum, with double locking lever or. screw cap with threaded hole M25 on the right and left side, low version, 32-poles
73.331.3235.0	Bottom HD GUT GC 32 M25 69 A0	Bottom-base revos HD made of aluminum, with double locking lever or. screw cap with cable gland M25 on the left side (IP54), low version, 32-poles
73.331.3235.1	Bottom HD GUT GC 32 M25 69 A1	Bottom-base revos HD made of aluminum, with double locking lever or. screw cap with threaded hole M25 on the left side, low version, 32-poles
73.334.3235.1	Bottom HD GUT GB 32 M32 69 A1	Bottom-base revos HD made of aluminum, with double locking lever or. screw cap with threaded hole M32 on the right and left side, low version, 32-poles
73.335.3235.0	Bottom HD GUT GC 32 M32 69 A0	Bottom-base revos HD made of aluminum, with double locking lever or. screw cap with cable gland M32 on the left side (IP54), low version, 32-poles
73.335.3235.1	Bottom HD GUT GC 32 M32 69 A1	Bottom-base revos HD made of aluminum, with double locking lever or. screw cap with threaded hole M32 on the left side, low version, 32-poles
73.340.3235.1	Bottom HD GUT GF 32 M25 69 A1	Bottom-base revos HD made of aluminum, for double locking lever with threaded hole M25 on the left and right side, with protective cover, low version, 32-poles
73.342.3235.0	Bottom HD GUT GH 32 M25 69 A0	Bottom-base revos HD made of aluminum, with double locking lever and cable gland M25 on the right side, with protective cover (IP54), low version, 32-poles
73.342.3235.1	Bottom HD GUT GH 32 M25 69 A1	Bottom-base revos HD made of aluminum, with double locking lever and threaded hole M25 on the right side, with protective cover, low version, 32-poles
73.344.3235.1	Bottom HD GUT GF 32 M32 69 A1	Bottom-base revos HD made of aluminum, for double locking lever with threaded hole M32 on the left and right side, with protective cover, low version, 32-poles
73.346.3235.1	Bottom HD GUT GH 32 M32 69 A1	Bottom-base revos HD made of aluminum, with double locking lever and threaded hole M32 on the right side, with protective cover, low version, 32-poles
76.325.2528.0	Bottom HD GUT GP 25 50 A	Bottom-base revos HD made of aluminum, with single locking lever and protective cover, open, low version, 25-poles

These dimensions will be especially checked at delivery  
 Only inspection dimensions  
 With /E marked dimensions are only valid for internal use

Diese Maße werden bei Abnahme besonders geprüft  
 Ausschließlich Prüfmaße  
 Mit /E gekennzeichnete Maße sind nur für interne Zwecke gültig



Buchseneinsatz / socket insert  
 73.700.2553.0

Steckereinsatz / plug insert  
 73.710.2553.0

Weitere Daten siehe Katalog  
 further data see catalog

Tolerierung Size ISO 14405 (E) / Tolerance system Size ISO 14405 (E). (This ISO-standard describes the envelope principle. According to the envelope principle the deviations of form and parallelism are limited by the size tolerances).				ja/yes <input checked="" type="checkbox"/> Stoffverbots- und Deklarationsliste nach UU-TQM-05/03 ist einzuhalten. Conformity with Wieland document UU-TQM-05/03 (list of prohibited / declarable hazardous substances) to be declared!			
Freitoleranz nach - General tolerance		CAD - Zeichnung, keine manuellen Änderungen CAD - drawing, no manual modifications allowed		1. Verwendung: - First Use:		Blatt: 1 von 1 Sheet: of 1	
/		Werkstoff/Material		2005	Tag/Date	Name	
/ /				gezeichnet drawn	25.02.	Schmitt J.	
/ Maßstab/Scale				geprüft checked	-		
/ 2:1				Normgepr. Stand. check	-		
/ Vol.		mm <sup>3</sup> Ofl./Surf.		mm <sup>3</sup>		Ersatz für/Replacement for: -	
/				Type		Benennung/Tittle	
a 10.10.2013/		wieland				KONTAKTEINSATZ	
Index Datum / Blatt Date / Sheet		Elektrische Verbindungen				Buchseneinsatz / Steckereinsatz socket insert / plug insert	
Änderung/Revision							

Weitergabe sowie Vervielfältigung dieses Dokuments, Verwertung und Mitteilung seines Inhalts sind verboten, soweit nicht ausdrücklich gestattet.  
 The reproduction, distribution and utilization of this document as well as the communication of its contents to others without express authorization is prohibited.

737002553001K\_2 CADW3029 Schmitt 2013-10-10T10:3807 1.000