

REVISION RECORD				
REV	ECO	DESCRIPTION	DRFT	DATE

Notes:
 1. Rated vol tage/current: UL1059
 600V/15A

IEC

800V/24A
 2. Operation temperatures: -40°C ~
 +105°C

3. Withstanding Vol tage: AC3500V/1Mi n

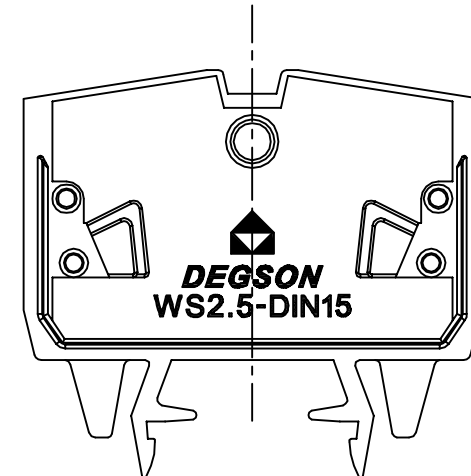
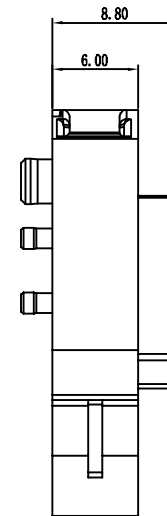
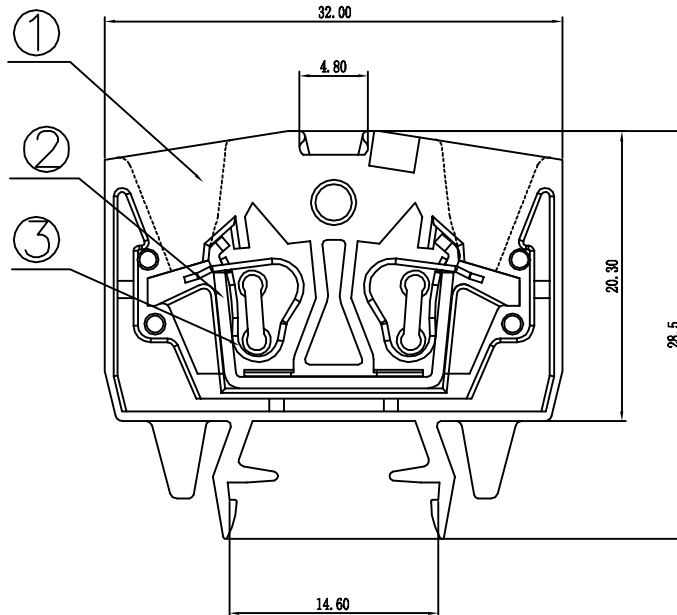
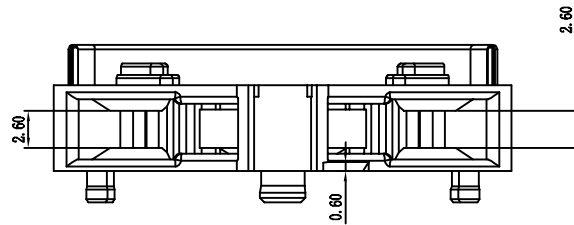
4. Insulation

Resistance: 1000M Ω /DC500V

5. Wire Range: 28~12AWG, 2.5mm²

6. Undi mensi oned Tol erances:

Pitch range in mm		Nominal dimension range in mm						—
to	over	over	to	over	over	over	to	
6	6 to 10	10 to 24	30	30 to 60	60 to 100	100 to 150	150	
±0.10	±0.15	±0.25	±0.2	±0.3	±0.5	±0.7	±1	
							0.05/10	



3	DG242-Shrapnel	X000000990(H)	2	Stainless steel
2	WS2.5-MID-CO-Current	6160B00010(H)	1	Copper Tin Plated

ITEM	NAME OF PART	NO. OF PART	Q'TY	MATERIAL	NOTES
1	WS2.5-DIN15-Housing	6156A0Y01A(H)	1	PA66	UL94V-0
DEPTO Yangys DATE 10/05/08 CHED DATE MPO DATE APPVL DATE MATERIAL : G. B : FINISH : SCALE : 1:1		宁波高正电子有限公司 DEGSON ® DEGSON ELECTRONICS CO., LTD NAME WS2.5-DIN15-01P-1Y-00A(H) DRAWING NO. WS2.5-DIN15-E01 SIZE A3 REV TO 10/05/08 /PART NO.			
TOLERANCES EXCEPT AS NOTED MM .0 ± .00 ± .000 ± ANGLES ± 1° THIRD ANGLE PROJECTION			DO NOT SCALE DRAWING SHEET 1 OF 1		