

## Data sheet

Commercial Art.No.: 76.354.2535.1

Hood HD GOT GI 25 M25 50 A1

Hood revos HD made of aluminum, for single locking lever with threaded hole M25 on the top, low version, 25-poles



Commercial Art.No.	76.354.2535.1
EAN	4015573625969
Order Unit	1

## Technical data

### General

Housing material	aluminum
Color	Grey
Surface	With powder coating
Degree of protection (IP)	Other
UV resistant	yes
Inflammability class of insulation material acc. with UL94	Other
Operating temperature range min.	-40 °C
Operating temperature range max.	120 °C

### Model

Construction	16/25
Locking mechanism	Single locking lever
Cable entry	Above
Type of cable	Thread
With cable screw gland	No
Thread size M	25
Thread size PG	
Hinged lid	No
EMC-version	No
Length	90 mm
Width	33 mm
Height	70 mm

### Classification

ECLASS 11	
-----------	--

ECLASS 8.1	27440202
ETIM 7.0	EC000437
ETIM 6.0	EC000437
ETIM 5.0	EC000437
ETIM 4.0	EC000437
ETIM 3.0	EC000437

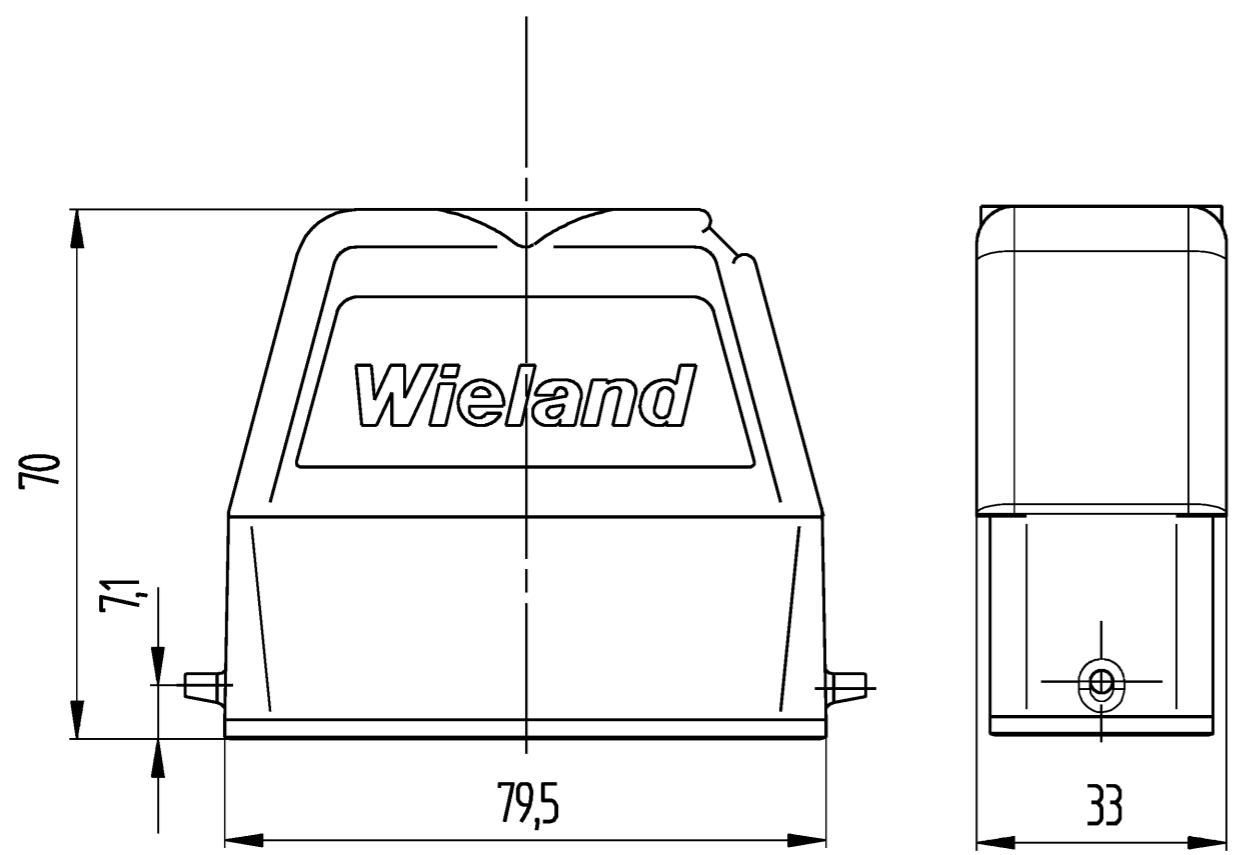
**Product compliance**

REACH-SVHC conformity status	Compliant
------------------------------	-----------

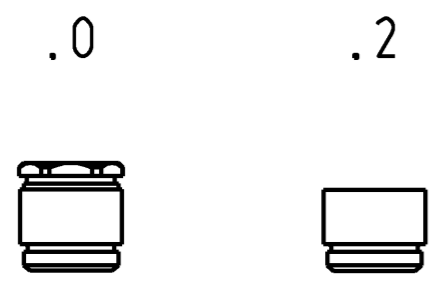
**Fits with**

Commercial Art.No.:	Article-type description:	Description:
73.300.1653.0	Female insert HD BUS 16 2,5 25 AG	revos BASIC HD 16 pole + ground, female insert 250V/16A, screw connection
73.300.1653.3	Female insert HD BUS SB 16 2,5 25 AG	revos BASIC HD 16 pole + ground, female insert, marked 17-32, 250V/16A, screw connection
73.310.1653.0	Male insert HD STS 16 2,5 25 AG	revos BASIC HD 16 pole + ground, male insert 250V/16A, screw connection
73.310.1653.3	Male insert HD STS SB 16 2,5 25 AG	revos BASIC HD 16 pole + ground, male insert, marked 17-32, 250V/16A, screw connection
73.700.2553.0	Female insert HD BUC 25 25	revos HD 25 pole + ground, female insert 250V/10A, crimp connection
73.710.2553.0	Male insert HD STC 25 25	revos HD 25 pole + ground, male insert 250V/10A, crimp connection

A These dimensions will be especially checked at delivery  
 B Only inspection dimensions  
 C With /E marked dimensions are only valid for internal use  
 D Diese Maße werden bei Abnahme besonders geprüft  
 E Ausschließlich Prüfmaße  
 F Mit /E gekennzeichnete Maße sind nur für interne Zwecke gültig



Varianten/ Variants



76.354.2535.2	HD GOT GI 25 M25 50 A2	Zwischenstutzen /Bushing	
76.354.2535.1	HD GOT GI 25 M25 50 A1	Gewindebohrung /Thread hole	X
76.354.2535.0	HD GOT GI 25 M25 50 A0	Kabelverschraubung(KV), IP54 /Cable gland(CG), IP54	
Bestellnummer /Order number	Typ /Type	Varianten /Variants	dar-gestellt /drawed
<b>Weitere Daten siehe KATALOG oder eKatalog.</b> Additional data see CATALOG or eCatalog.		<b>www.wieland-electric.com</b> eshop.wieland-electric.com	

Tolerierung Size ISO 14405 (E) / Tolerance system Size ISO 14405 (E). (This ISO-standard describes the envelope principle. According to the envelope principle the deviations of form and parallelism are limited by the size tolerances).		ja/yes <input checked="" type="checkbox"/> Stoffverbots- und Deklarationsliste nach WN 5020.010 ist einzuhalten. Conformity with Wieland document WN 5020.010 e (list of prohibited / declarable hazardous substances) to be declared!	
Freitoleranz nach General tolerance		CAD - Zeichnung, keine manuellen Änderungen CAD - drawing, no manual modifications allowed	1. Verwendung: First Use.
Blatt: 1 von 1 Sheet: 1 of 1			
Werkstoff / Material		Tag/Date	Name
Maßstab / Scale		gezeichnet/drawn	Schmitt J.
1:1		geprüft/checked	
		Normgepr. /Stand. check	
Vol.. --- mm <sup>3</sup>		Ersatz für / Replacement for:	
Dfl./Surf. --- mm <sup>2</sup>		Type	Benennung/Title
- / -		GEHAEUSE_OBERTEIL	
www.wieland-electric.com		Größe/size 25 - M25 - oben/top	
Index	Datum / Blatt Date / Sheet		
Änderung / Revision			

Weitergabe sowie Vervielfältigung dieses Dokuments, Verwertung und Mitteilung seines Inhalts sind verboten, soweit nicht ausdrücklich gestattet.  
 The reproduction, distribution and utilization of this document as well as the communication of its contents to others without express authorization is prohibited.