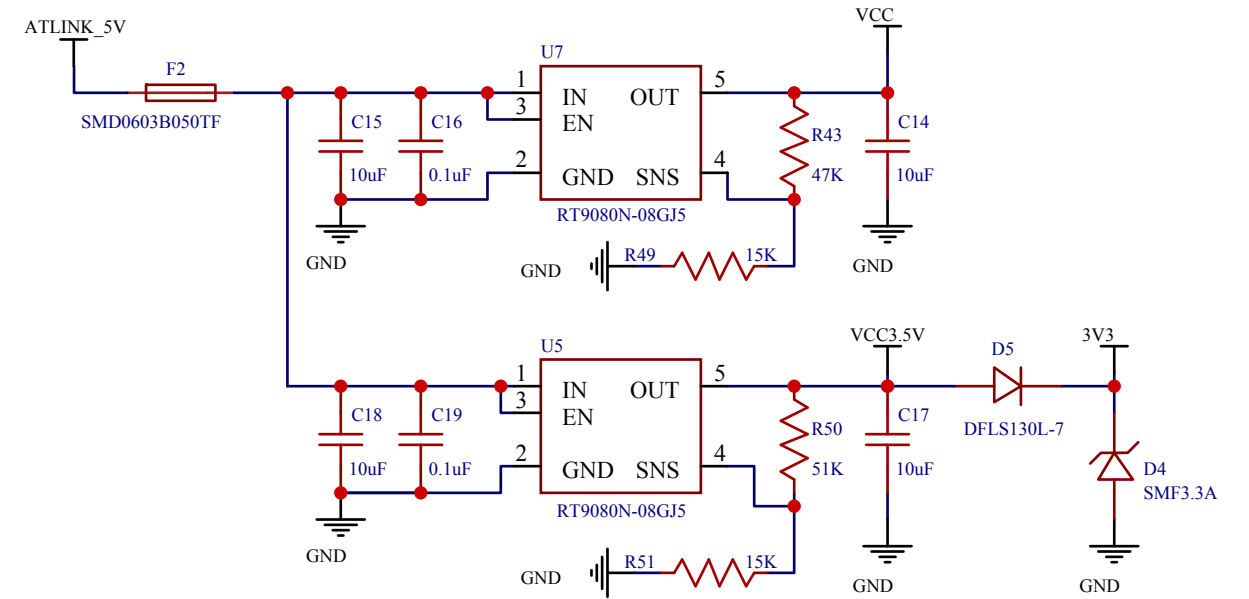
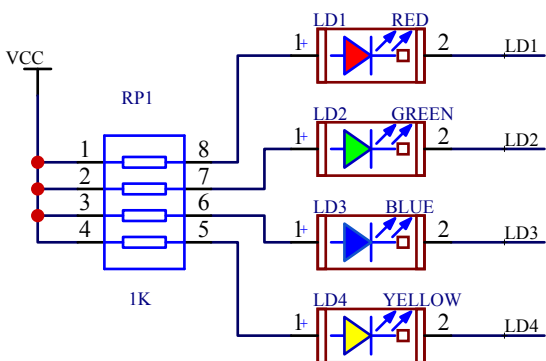
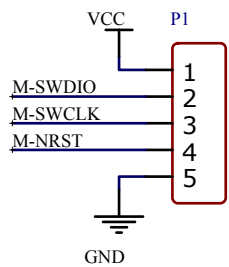
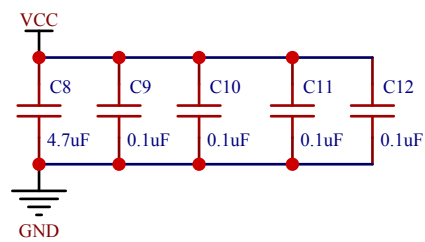


AT-Link USB

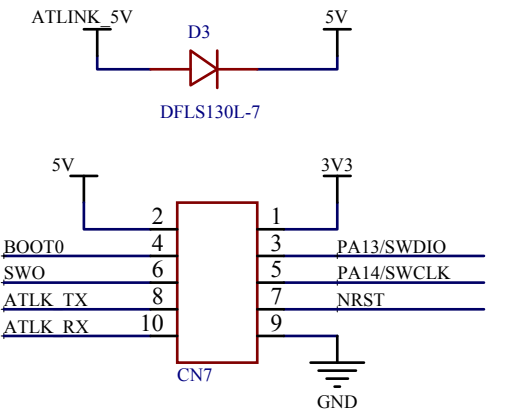
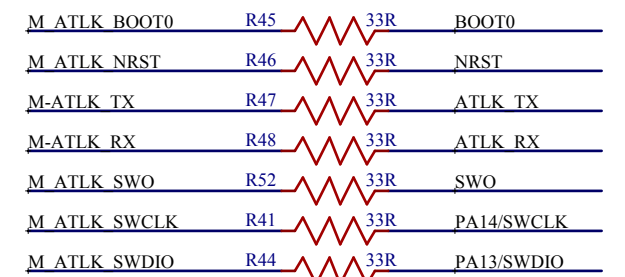
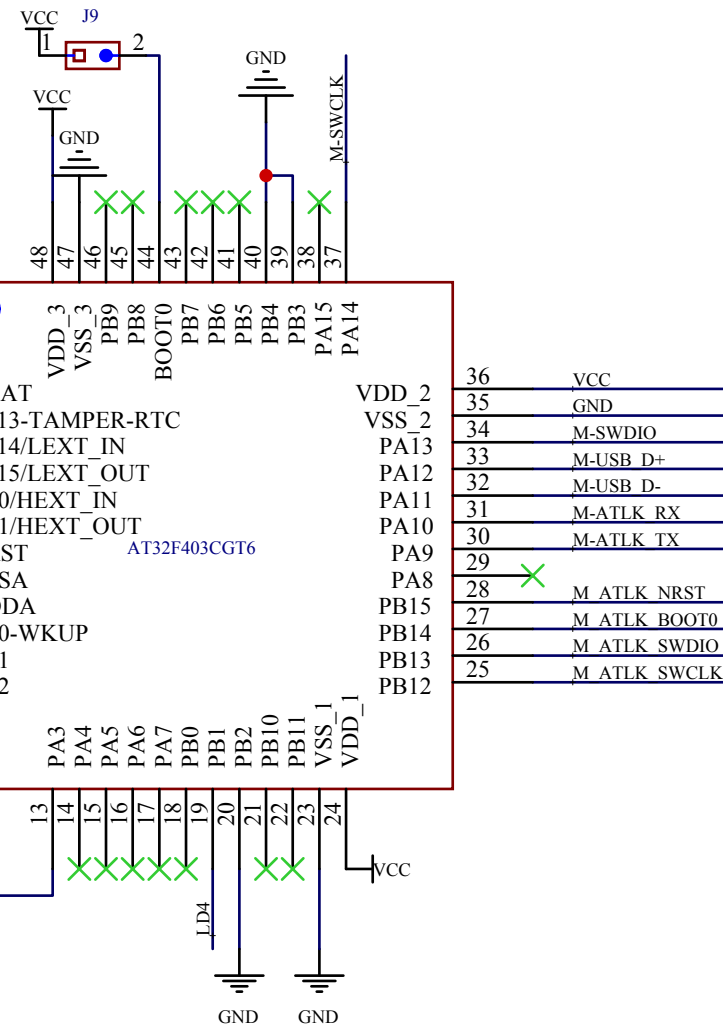


AT-Link power supply



LD1-4:For AT-Link-EZ status

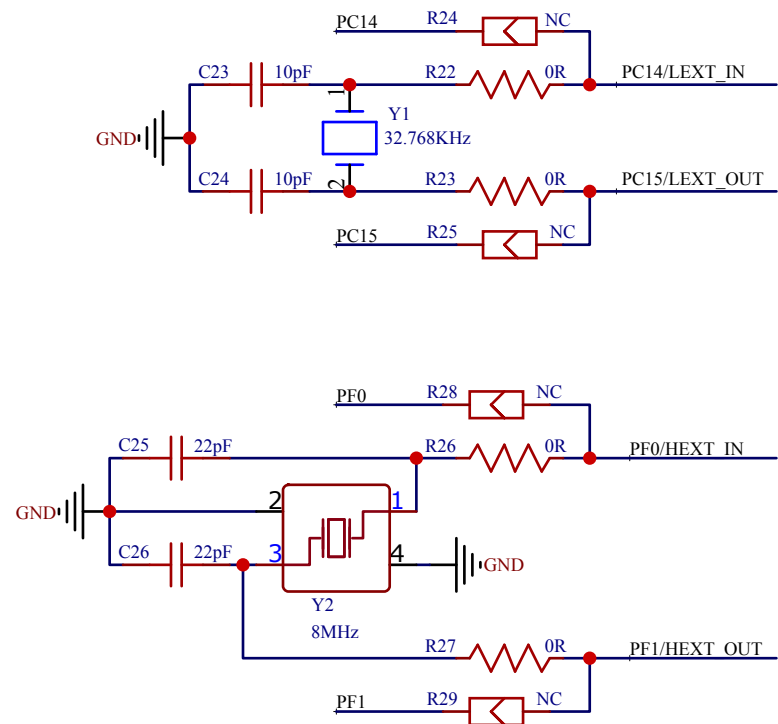
AT-Link MCU



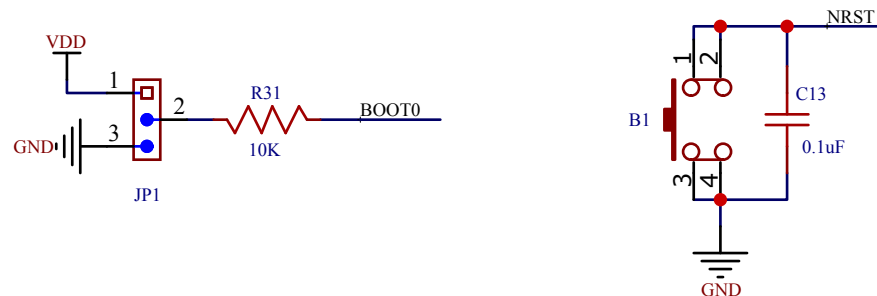
TITLE: AT-Link-EZ		REV: 1.2
	Company: Artery Technology	Sheet: 1
	Date: 2022-01-10	Drawn By:



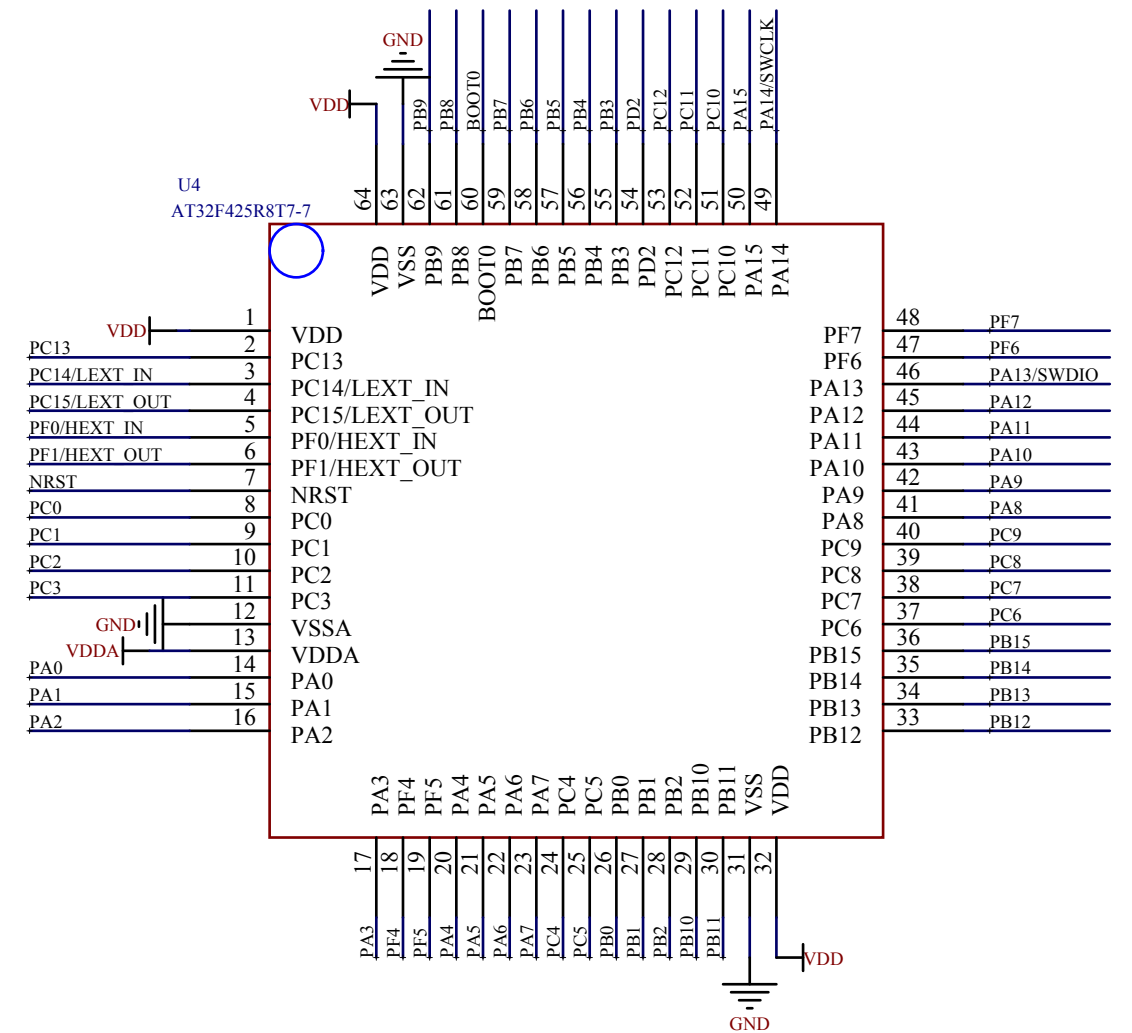
MCU power supply



Crystal

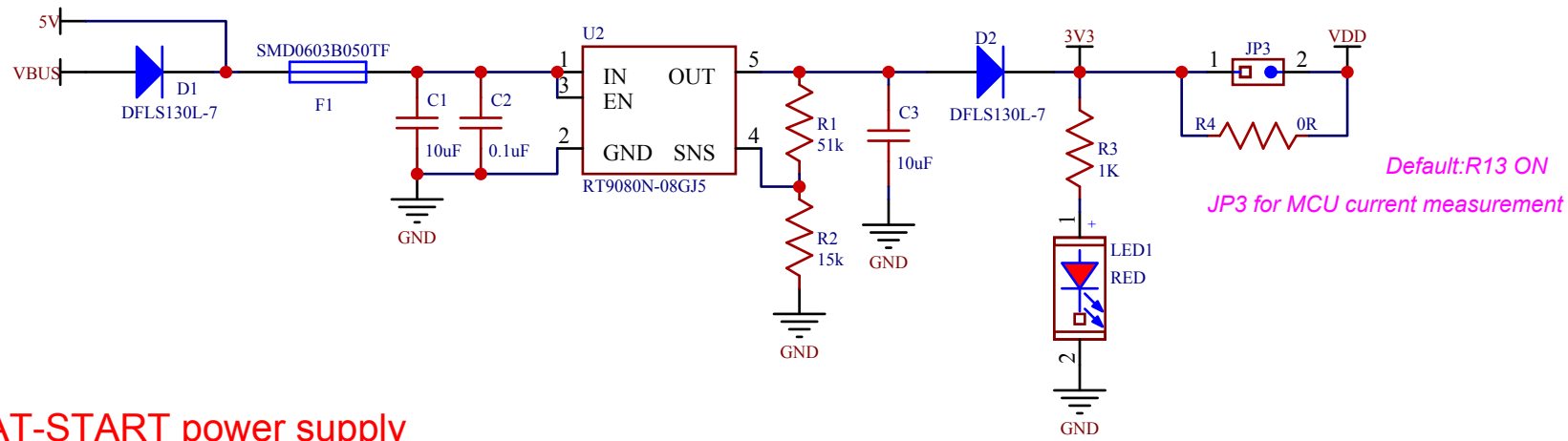


Boot & Reset

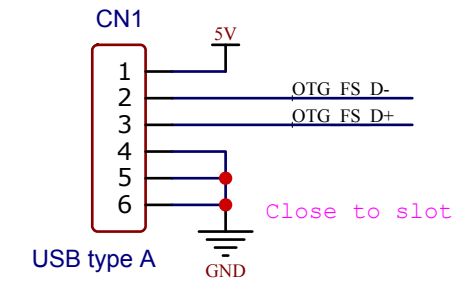


MCU

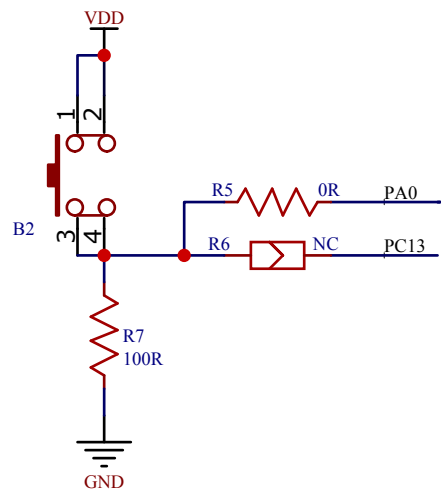
TITLE:	MCU	REV: 1.0
	Company: Artery Technology	Sheet: 2
	Date: 2022-01-10	Drawn By:



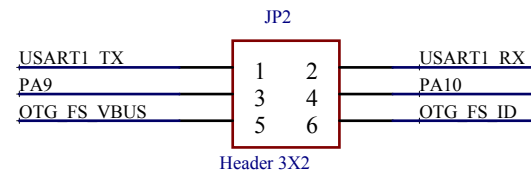
AT-START power supply



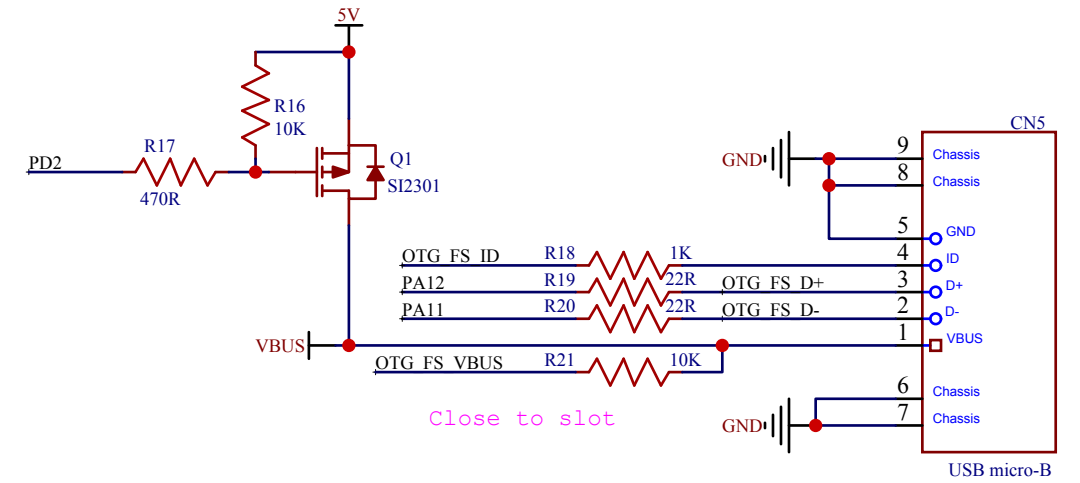
OTG1_host



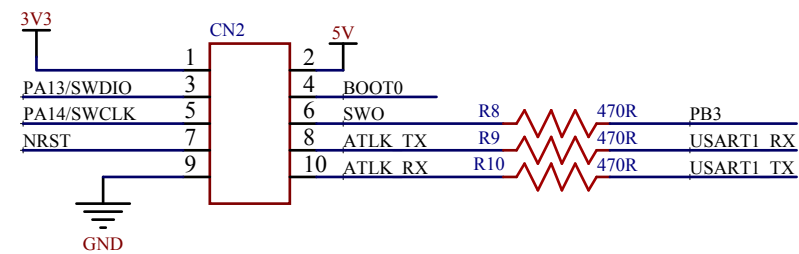
User key



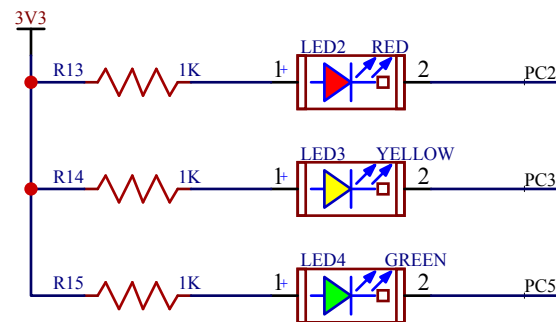
USART1 / OTG1 selection



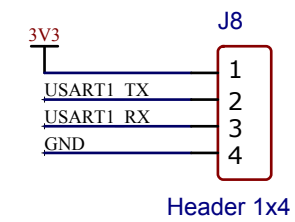
OTG1



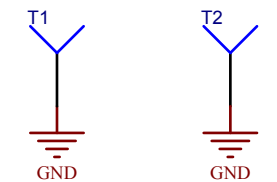
AT-Link connector



LED

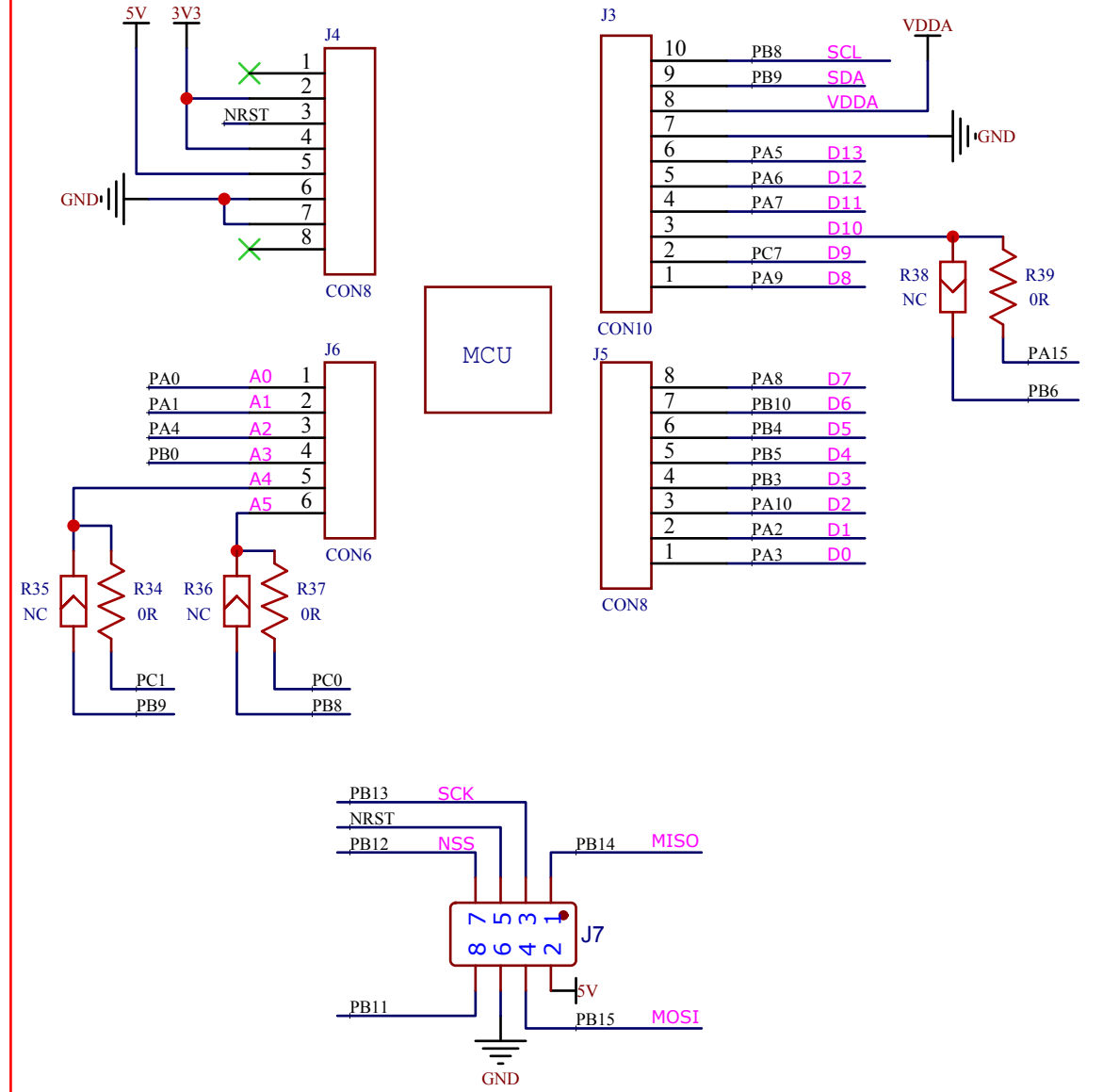
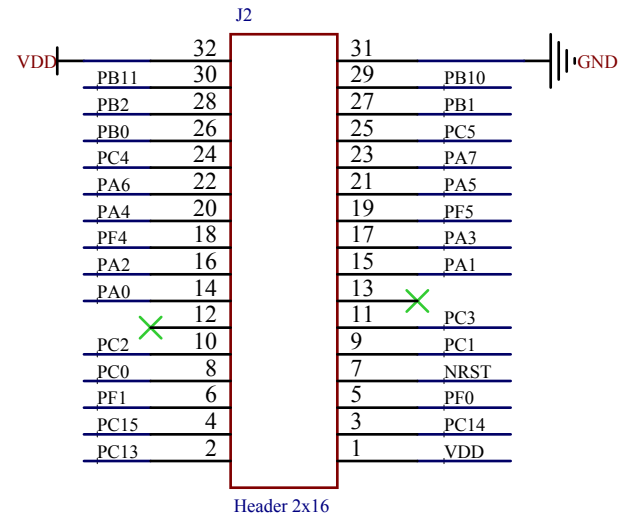
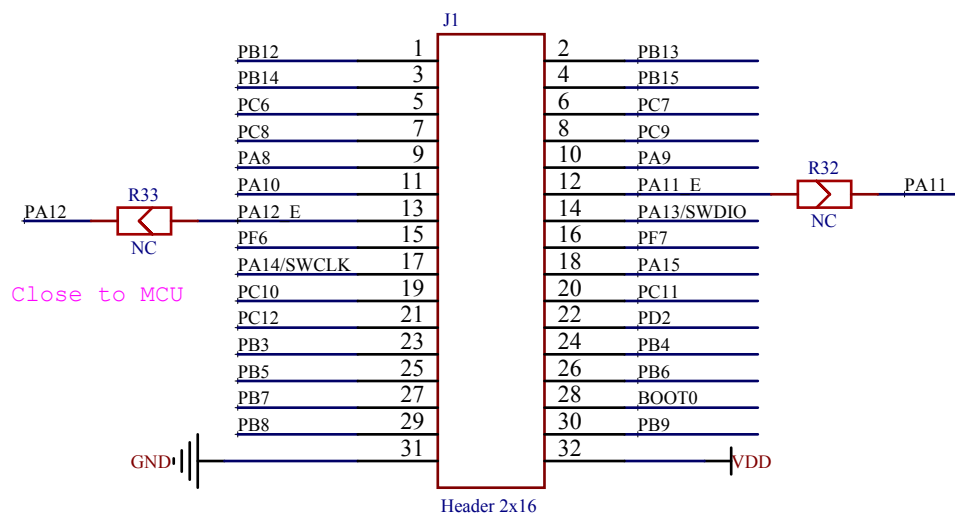


USART1 for ISP




Test points

TITLE: Power & Peripherals		REV: 1.0
	Company: Artery Technology	Sheet: 3
	Date: 2022-01-10	Drawn By:



Arduino UNO R3 connectors

TITLE: Extension connector		REV: 1.0
	Company: Artery Technology	Sheet: 4
	Date: 2022-01-10	Drawn By: