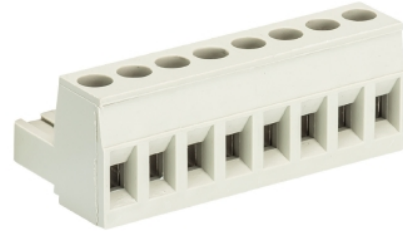


Data sheet

Commercial Art.No.: 25.320.3853.0

PCB connector 8113 B / 8 OB

PCB female connector with screw connection with rising cage clamp system, 8 poles, max. cross section: 2.5 mm², pitch: 5 mm, type of packing: carton, color: grey



Commercial Art.No.	25.320.3853.0
EAN	4015573181908
Order Unit	50

Certificates / Approvals



Technical data

General

Modular spacing	5 mm
Connection type	screw connection
Soldering process	None
Packaging	Carton
Number of poles	8
Marking	No
Fastening	None
Mating direction towards connector	180°

Technical data

Nominal cross section	2.5 mm ²
Rated current	12 A
Overvoltage Category I	1000 V
Overvoltage Category II	400 V
Overvoltage Category III	250 V
Rated impulse voltage	4 kV
Wire strip length	6 mm

Connection Data

Minimum cross section solid	0.14 mm ²
Maximum cross section solid	2.5 mm ²
Minimum cross section fine stranded	0.14 mm ²
Maximum cross section fine stranded	2.5 mm ²
Wire strip length	6 mm

Technical Data UL/CSA

Cross section UL	22-12 AWG
------------------	-----------

Voltage UL	300 V
Current field wiring	15 A
Current factory wiring	15 A
Cross section CSA	22-12 AWG
Voltage CSA	300 V
Current CSA	15 A

Other

Type of insulation material	Thermoplastic
Color	Grey
Height	15 mm
Length	40 mm
Depth	18.2 mm
Material attachment screw	CuSn/Steel
Material contact base	CuSn
Material contact surface	Sn

Classification

ECLASS 11	
ECLASS 8.1	27440402
ETIM 7.0	EC002637
ETIM 6.0	EC002637
ETIM 5.0	EC002637
ETIM 4.0	EC002637

Product compliance

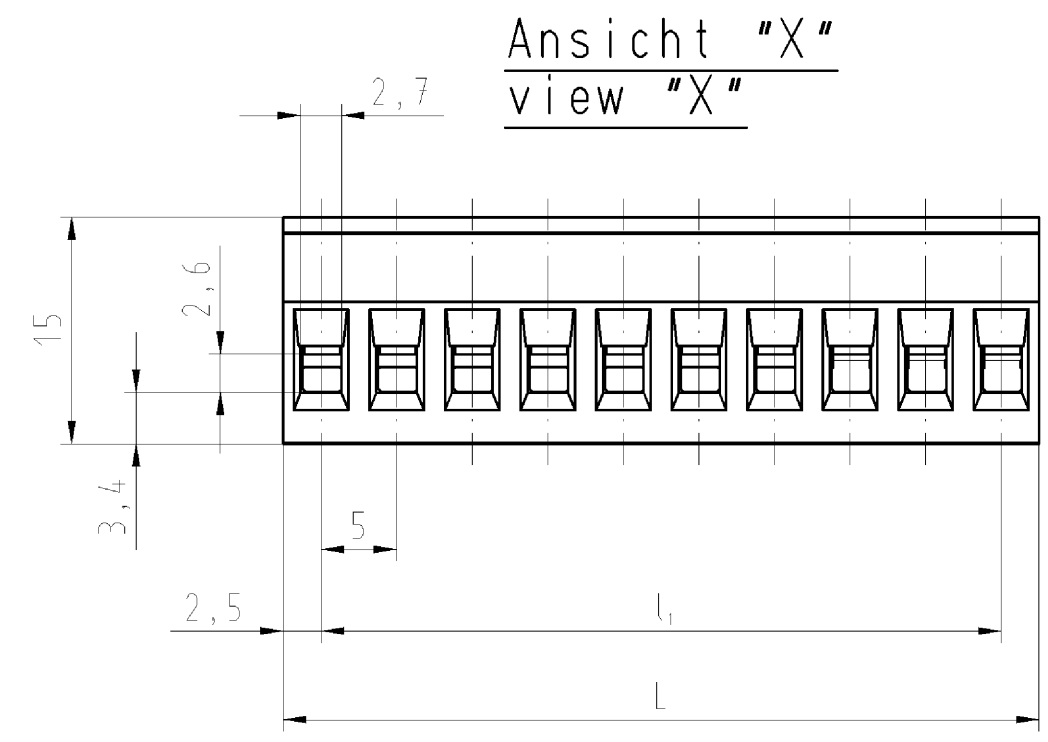
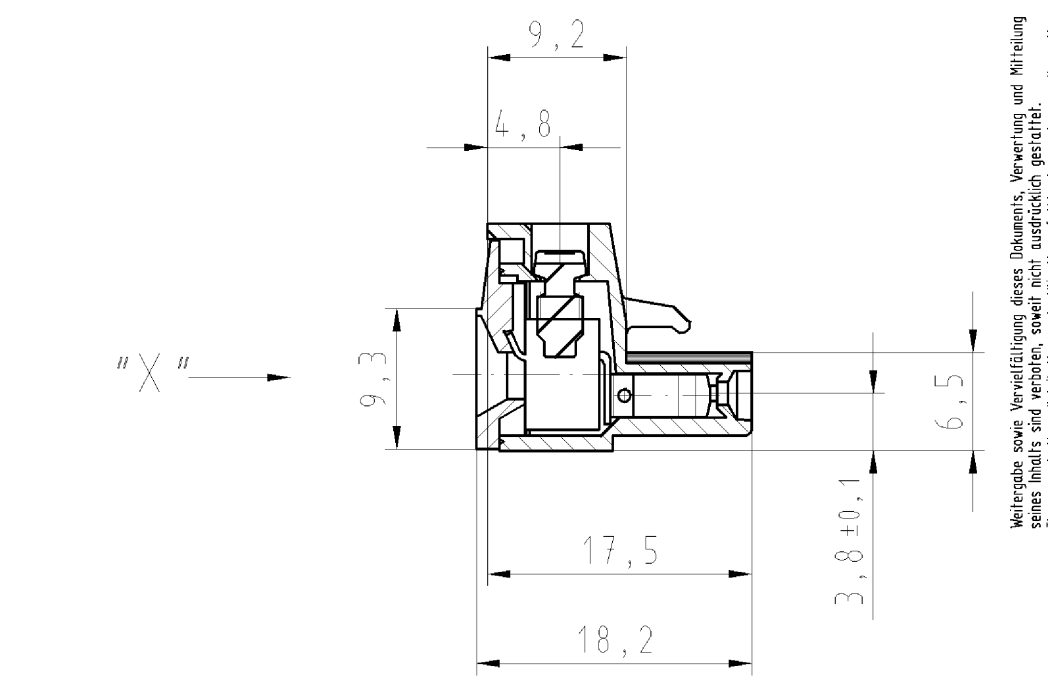
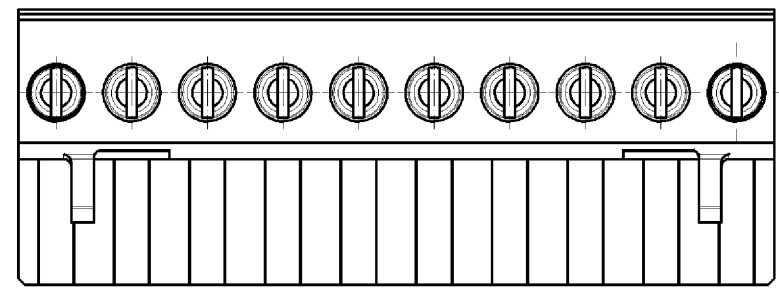
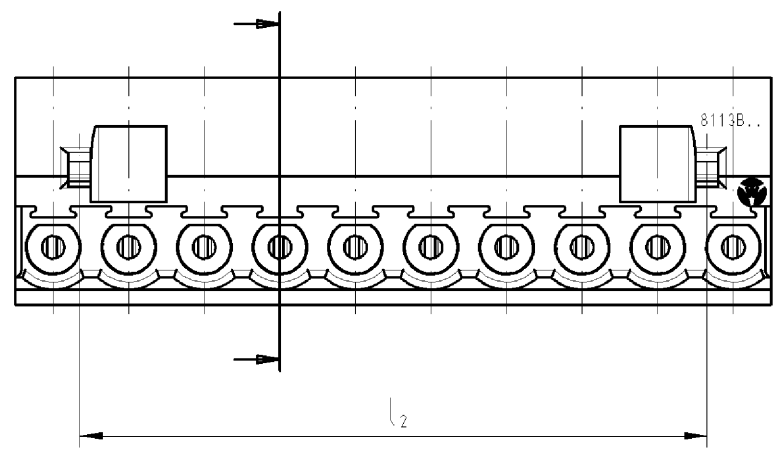
ROHS conformity status	Compliant/Exempted
ROHS exceptions	III-6(c)
REACH-SVHC conformity status	Duty-To-Declare
REACH-SVHC substances	Lead
REACH-SVHC CAS numbers	7439-92-1

Fits with

Commercial Art.No.:	Article-type description:	Description:
25.332.3853.0	PCB pin header 8113 S / 8 W OB	PCB pin header, connection method depends on used socket part , 8 poles, pitch: 5 mm, type of packing: carton, color: grey
99.208.9996.0	PCB pin header 8113 S / 8 G OB OF	PCB pin header, connection method depends on used socket part , 8 poles, pitch: 5 mm, type of packing: carton, color: grey
25.330.3853.0	PCB pin header 8113 S / 8 G OB	PCB pin header, connection method depends on used socket part , 8 poles, pitch: 5 mm, type of packing: carton, color: grey
25.394.3853.0	PCB pin header 8113 S / 8 S OB	PCB pin header, connection method depends on used socket part , 8 poles, pitch: 5 mm, type of packing: carton, color: grey
99.268.9996.0	PCB pin header 8113 S / 8 W OB OF	PCB pin header, connection method depends on used socket part , 8 poles, pitch: 5 mm, type of packing: carton, color: grey
27.336.0853.0	PCB pin header 8113 SEG / 8 / 16 W OB	PCB pin header, 8 poles, pitch: 5 mm, type of packing: carton, color: grey
27.334.0853.0	PCB pin header 8113 SEG / 8 / 16 G OB	PCB pin header, 8 poles, pitch: 5 mm, type of packing: carton, color: grey

These dimensions will be especially checked at delivery
 Only inspection dimensions
 With ±E marked dimensions are only valid for internal use

Diese Maße werden bei Abnahme besonders geprüft
 Ausschließlich Prüfmaße
 Mit ±E gekennzeichnete Maße sind nur für interne Zwecke gültig



Artikel-Nr. part-no.	Pol-Z. pole	L	l ₁	l ₂	Typ type
25.320.3253.F	2	10	5	-	8113 B / 2 OB
25.320.3353.F	3	15	10	6,5	8113 B / 3 OB
25.320.3453.F	4	20	15	11,5	8113 B / 4 OB
25.320.3553.F	5	25	20	16,5	8113 B / 5 OB
25.320.3653.F	6	30	25	21,5	8113 B / 6 OB
25.320.3753.F	7	35	30	26,5	8113 B / 7 OB
25.320.3853.F	8	40	35	31,5	8113 B / 8 OB
25.320.3953.F	9	45	40	36,5	8113 B / 9 OB
25.320.4053.F	10	50	45	41,5	8113 B / 10 OB
25.320.4153.F	11	55	50	46,5	8113 B / 11 OB
25.320.4253.F	12	60	55	51,5	8113 B / 12 OB
25.320.4353.F	13	65	60	56,5	8113 B / 13 OB
25.320.4453.F	14	70	65	61,5	8113 B / 14 OB
25.320.4553.F	15	75	70	66,5	8113 B / 15 OB
25.320.4653.F	16	80	75	71,5	8113 B / 16 OB
25.320.4753.F	17	85	80	76,5	8113 B / 17 OB
25.320.4853.F	18	90	85	81,5	8113 B / 18 OB
25.320.4953.F	19	95	90	86,5	8113 B / 19 OB
25.320.5053.F	20	100	95	91,5	8113 B / 20 OB
25.320.5153.F	21	105	100	96,5	8113 B / 21 OB
25.320.5253.F	22	110	105	101,5	8113 B / 22 OB
25.320.5353.F	23	115	110	106,5	8113 B / 23 OB
25.320.5453.F	24	120	115	111,5	8113 B / 24 OB

gezeichnete Ausführung
 10-polig
 drawn version
 10poles

Farbe/ colour	.F
grau / grey	.0
schwarz/black	.1
grün / green	.7

Weitere Daten siehe Katalog
 further data see catalog

Zulässige Abweichungen nach DIN 7167/Permissible deviations acc. to DIN 7167. (This DIN-standard describes the envelope principle. According to the envelope principle the deviations of form and parallelism are limited by the size tolerances).		ja/yes <input checked="" type="checkbox"/> Stoffverbots- und Deklarationsliste nach UU-TQM-05/03 ist einzuhalten. Conformity with Wieland document UU-TQM-05/03 (list of prohibited / declarable hazardous substances) to be declared!	
Freitoleranz nach General tolerance		CAD - Zeichnung, keine manuellen Änderungen CAD - drawing, no manual modifications allowed	1.Verwendung: First Use: -
Blatt: 1 von 1 Sheet: 1 of 1		Zeichnung Nr./Drawing No. Index	
Werkstoff/Material		2005 gezeichnet drawn 27.07. geprüft checked Nichtgepr. Stand. check	Name Schmitt J.
Maßstab/Scale 2:1		Maße in mm/Dimensions are in mm	
Vol. mm ³ Öl./Surf. mm ²		Ersatz für/Replacement for: -	
wieland		Type	Benennung/Title
Elektrische Verbindungen		LP_STECKKLEMME	
Index Datum / Blatt Date / Sheet		indirekt steckbar, Schraubausführung Rastmass 5 Pluggable PCB terminal rising cage clamp, pitch 5	
Änderung/Revision			

Weitergabe sowie Vervielfältigung dieses Dokuments, Verwertung und Mitteilung seines Inhalts sind verboten, soweit nicht ausdrücklich gestattet. Die Reproduktion, Distribution und Nutzung dieses Dokuments sowie die Kommunikation der Inhalte zu anderen ohne ausdrückliche Genehmigung ist untersagt.
 253203253001K_4_CAD/026 Schmitt 2005-07-27/102249 1.000
 QU-PEM-08/91