

Data sheet

Commercial Art.No.: 99.713.0000.7

Cable assembly RST20i3K1BF 15 25SW

RST20i3/2 mains connection cable RST20i3 female - male Schuko, 3 pole, assembled with shrinkage tube, application 250V, 16A, cable type H07RN-F, length 2.5m, cross section 1.5mm², coding color black



Commercial Art.No.	99.713.0000.7
EAN	4015573983694
Order Unit	1

Technical data

General

Rated current	20 A
Rated voltage	250 V
Rated impulse voltage	4 kV
Lockable	self-locking (unlocking by tool)
Color of coding/ contact carrier	black
Marking of poles	L, N, PE
Color of housing inclusive strain relief	black

Model

type of construction	Shrinkage tube
Connection type	Crimp
Nominal cross section conductor	1.5 mm ²
sheath strip length	35 mm
Preparation of conductor ends	ultrasonically compressed wire ends
Cable type	H07RN-F
Cable color	black
Cable diameter min.	9.5 mm
Cable diameter max.	9.9 mm
Version of cable	female - male CEE 7/4
Type of cord set	mains connection cable
Version cable end 1	female
Version cable end 2	SchuKo plug
Shielded	No

Material

Surface finish	Silver-plated
----------------	---------------

halogen free	No
Continuous temperature of cable	60 °C
Insulation components continuous temperature	100 °C
Fire load	0 kWh

Dimensions

Total length	2.5 m
--------------	-------

Classification

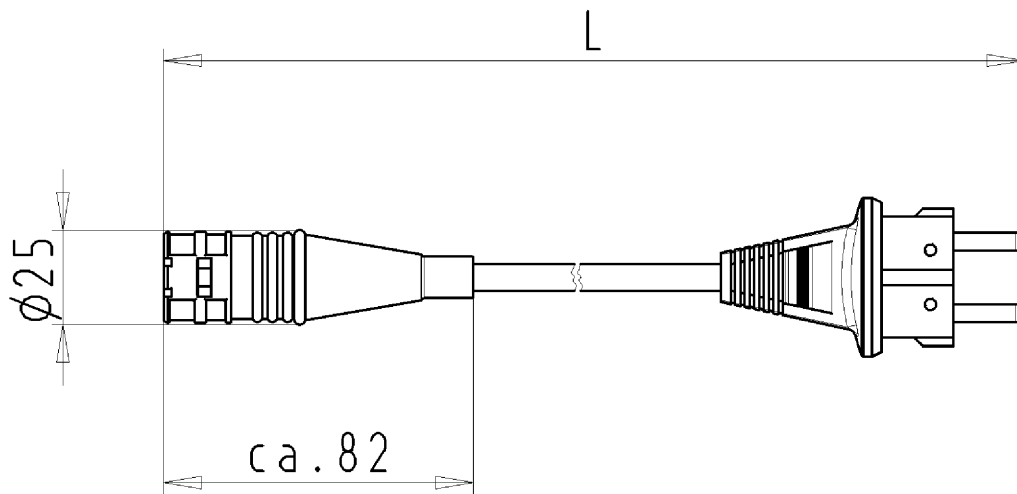
ECLASS 11	
ECLASS 8.1	27440604
ETIM 7.0	EC002587
ETIM 6.0	EC002587
ETIM 5.0	EC002587
ETIM 4.0	EC002587

Note

Note	The total length may vary up to + / - 3 %.
------	--

Product compliance

ROHS conformity status	Compliant/Exempted
ROHS exceptions	III-6(c)
REACH-SVHC conformity status	Duty-To-Declare
REACH-SVHC substances	Lead
REACH-SVHC CAS numbers	7439-92-1



KONFEKT. LEITUNG
99.712.0000.7 10W
26.05.2009 HOF
M1:2

Weitergabe sowie Vervielfältigung dieses Dokuments, Verwertung und Mitteilung seines Inhalts sind verboten, soweit nicht ausdrücklich gestattet.
The reproduction, distribution and utilization of this document as well as the communication of its contents to others without express authorization is prohibited.