

# PCA9306 Dual Bidirectional I<sup>2</sup>C Bus and SMBus Voltage-Level Translator

## 1 Features

- 2-Bit bidirectional translator for SDA and SCL lines in mixed-mode I<sup>2</sup>C Applications
- I<sup>2</sup>C and SMBus compatible
- Less than 1.5-ns maximum propagation delay to accommodate standard-mode and fast-mode I<sup>2</sup>C devices and multiple controllers
- Allows voltage-level translation between
  - 1.2-V  $V_{REF1}$  and 1.8-V, 2.5-V, 3.3-V, or 5-V  $V_{REF2}$
  - 1.8-V  $V_{REF1}$  and 2.5-V, 3.3-V, or 5-V  $V_{REF2}$
  - 2.5-V  $V_{REF1}$  and 3.3-V or 5-V  $V_{REF2}$
  - 3.3-V  $V_{REF1}$  and 5-V  $V_{REF2}$
- Provides bidirectional voltage translation with no direction pin
- Low 3.5- $\Omega$  ON-state resistance between input and output ports provides less signal distortion
- Open-drain I<sup>2</sup>C I/O ports (SCL1, SDA1, SCL2, and SDA2)
- 5-V Tolerant I<sup>2</sup>C I/O ports to support mixed-mode signal operation
- High-impedance SCL1, SDA1, SCL2, and SDA2 pins for EN = low
- Lockup-free operation for isolation when EN = low
- Flow-through pinout for ease of printed-circuit-board trace routing
- Latch-up performance exceeds 100 mA Per JESD 78, class II
- ESD protection exceeds JESD 22
  - 2000-V Human-body model (A114-A)
  - 1000-V Charged-device model (C101)

## 2 Applications

- I<sup>2</sup>C, SMBus, PMBus, MDIO, UART, low-speed SDIO, GPIO, and other two-signal interfaces
- Servers
- Routers (telecom switching equipment)
- [Personal Computers](#)
- [Industrial Automation](#)

## 3 Description

The PCA9306 device is a dual bidirectional I<sup>2</sup>C and SMBus voltage-level translator with an enable (EN) input, and is operational from 1.2-V to 3.3-V  $V_{REF1}$  and 1.8-V to 5.5-V  $V_{REF2}$ .

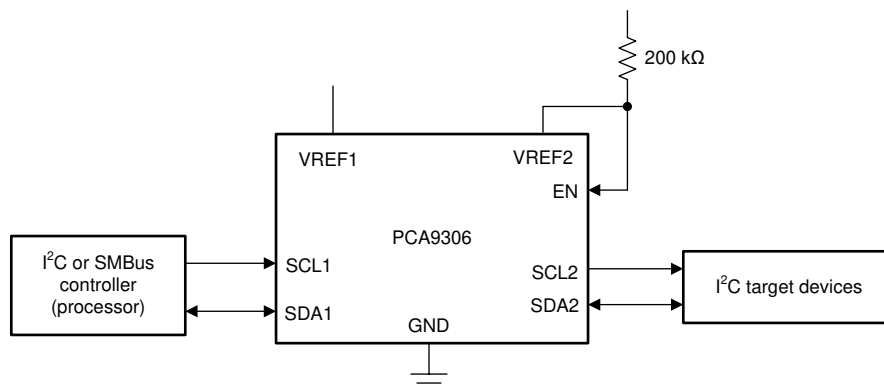
The PCA9306 device allows bidirectional voltage translations between 1.2 V and 5 V, without the use of a direction pin. The low ON-state resistance ( $R_{ON}$ ) of the switch allows connections to be made with minimal propagation delay. When EN is high, the translator switch is ON, and the SCL1 and SDA1 I/O are connected to the SCL2 and SDA2 I/O, respectively, allowing bidirectional data flow between ports. When EN is low, the translator switch is off, and a high-impedance state exists between ports.

In addition to voltage translation, the PCA9306 device can be used to isolate a 400-kHz bus from a 100-kHz bus by controlling the EN pin to disconnect the slower bus during fast-mode communication.

### Device Information

| PART NUMBER | PACKAGE <sup>(1)</sup> | BODY SIZE (NOM)   |
|-------------|------------------------|-------------------|
| PCA9306     | SSOP (8)               | 2.95 mm x 2.80 mm |
|             | VSSOP (8)              | 2.30 mm x 2.00 mm |
|             | X2SON (8)              | 1.40 mm x 1.00 mm |
|             | DSBGA (8)              | 1.98 mm x 0.98 mm |

(1) For all available packages, see the orderable addendum at the end of the datasheet.



**Simplified Application Diagram**



## Table of Contents

|  |   |   |    |
|--|---|---|----|
| <b>1 Features</b> .....  | 1 | <b>7 Parameter Measurement Information</b> .....          | 9  |
| <b>2 Applications</b> .....  | 1 | <b>8 Detailed Description</b> .....                       | 10 |
| <b>3 Description</b> .....   | 1 | 8.1 Overview.....   | 10 |
| <b>4 Revision History</b> .....  | 2 | 8.2 Functional Block Diagram.....                         | 15 |
| <b>5 Pin Configuration and Functions</b> .....                                       | 4 | 8.3 Feature Description.....                              | 15 |
| <b>6 Specifications</b> .....  | 5 | 8.4 Device Functional Modes.....                          | 15 |
| 6.1 Absolute Maximum Ratings.....  | 5 | <b>9 Application and Implementation</b> .....             | 16 |
| 6.2 ESD Ratings.....   | 5 | 9.1 Application Information.....                          | 16 |
| 6.3 Recommended Operating Conditions.....  | 5 | 9.2 Typical Application.....                              | 16 |
| 6.4 Thermal Information.....   | 6 | <b>10 Power Supply Recommendations</b> .....              | 20 |
| 6.5 Electrical Characteristics.....  | 6 | <b>11 Layout</b> .....                                    | 21 |
| 6.6 Switching Characteristics AC Performance<br>(Translating Down) (EN = 3.3 V)..... | 7 | 11.1 Layout Guidelines.....                               | 21 |
| 6.7 Switching Characteristics AC Performance<br>(Translating Down) (EN = 2.5 V)..... | 7 | 11.2 Layout Example.....                                  | 21 |
| 6.8 Switching Characteristics AC Performance<br>(Translating Up) (EN = 3.3 V).....   | 7 | <b>12 Device and Documentation Support</b> .....          | 22 |
| 6.9 Switching Characteristics AC Performance<br>(Translating Up) (EN = 2.5 V).....   | 7 | 12.1 Receiving Notification of Documentation Updates..... | 22 |
| 6.10 Typical Characteristics.....  | 8 | 12.2 Support Resources.....                               | 22 |
|  |   | 12.3 Trademarks.....                                      | 22 |
|  |   | 12.4 Electrostatic Discharge Caution.....                 | 22 |
|  |   | 12.5 Glossary.....  | 22 |

## 4 Revision History

NOTE: Page numbers for previous revisions may differ from page numbers in the current version.

| Changes from Revision M (April 2019) to Revision N (October 2021)  | Page |
|--|------|
| • Globally changed instances of legacy terminology to controller and target where I2C is mentioned.....  | 1    |
| • Changed the <i>Thermal Information</i> table values for the DCT and DCU packages.....  | 6    |
| • Changed the MIN and MAX values of $V_{IK}$ in the <i>Electrical Characteristics</i> table.....   | 6    |
| • Changed $t_{PHL}$ to show the package values in the <i>Switching Characteristics AC Performance (Translating Down) (EN = 3.3 V)</i> table..... | 7    |
| • Changed $t_{PHL}$ to show the package values in the <i>Switching Characteristics AC Performance (Translating Down) (EN = 2.5 V)</i> table..... | 7    |
| • Changed $t_{PHL}$ to show the package values in the <i>Switching Characteristics AC Performance (Translating Up) (EN = 3.3 V)</i> table.....   | 7    |
| • Changed $t_{PHL}$ to show the package values in the <i>Switching Characteristics AC Performance (Translating Up) (EN = 2.5 V)</i> table.....   | 7    |
| Changes from Revision L (April 2016) to Revision M (April 2019)  | Page |
| • Changed the DQE package family From: VSSON to X2SON.....   | 4    |
| • Added new section to <i>Overview</i> .....   | 10   |
| • Changed the labels in <a href="#">Figure 9-4</a> . The red curve is $> 2$ V, the black curve is $\leq 2$ V. ....                               | 19   |
| Changes from Revision K (October 2014) to Revision L (April 2016)  | Page |
| • Changed "ON-State Connection " to "ON-state Resistance".....   | 1    |
| • Deleted machine model ESD rating .....   | 1    |
| • Added "bus" following "100-kHz" in the last sentence of the <i>Description</i> section.....  | 1    |
| • Changed body-size dimensions in the <i>Device Information</i> table .....  | 1    |
| • Replaced pinout diagrams.....  | 4    |
| • Added I/O column to the <i>Pin Functions</i> table .....   | 4    |
| • Deleted RVH package from <i>Pin Configuration and Functions</i> section .....  | 4    |
| • Moved $T_{stg}$ from <i>Handling Ratings</i> to <i>Absolute Maximum Ratings</i> .....  | 5    |
| • Added a note following the <i>Electrical Characteristics</i> table.....  | 6    |
| • Added <a href="#">Figure 7-1</a> to the <i>Parameter Measurement Information</i> section.....  | 9    |

|   |    |
|---|----|
| • Changed <a href="#">Figure 7-2</a> .....  | 9  |
| • Changed "repeater" to "level shifter" in second paragraph of the <i>Overview</i> section .....  | 10 |
| • Deleted the last row of the <a href="#">Design Requirements</a> table. ....                     | 17 |
| • Corrected equation from $f_{knee} = 0.5 / RT$ (10%–80%) to $f_{knee} = 0.5 / RT$ (10%–90%)..... | 18 |

---

|   |             |
|---|-------------|
| <b>Changes from Revision J (October 2010) to Revision K (December 2012)</b> | <b>Page</b> |
|---|-------------|

---

|  |   |
|--|---|
| • Added <i>Pin Configuration and Functions</i> section, <i>Handling Rating</i> table, <i>Feature Description</i> section, <i>Device Functional Modes, Application and Implementation</i> section, <i>Power Supply Recommendations</i> section, <i>Layout</i> section, <i>Device and Documentation Support</i> section, and <i>Mechanical, Packaging, and Orderable Information</i> section ..... | 1 |
|--|---|

---

## 5 Pin Configuration and Functions

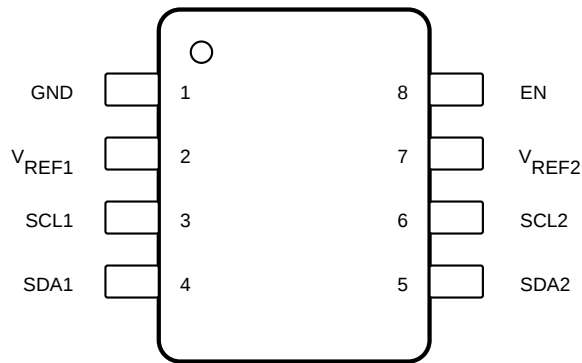


Figure 5-1. DCT Package 8-Pin SSOP Top View



Figure 5-2. DCU Package 8-Pin VSSOP Top View

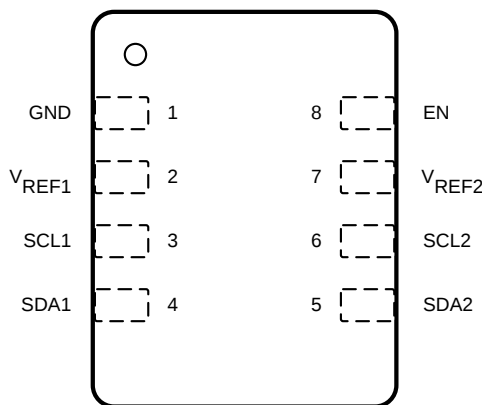


Figure 5-3. DQE Package 8-Pin X2SON Top View

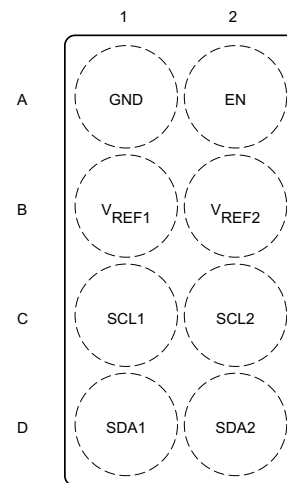


Figure 5-4. YZT Package 8-Pin DSBGA Top View

Table 5-1. Pin Functions

| NAME              | PIN NO.       |     | I/O | DESCRIPTION  |
|-------------------|---------------|-----|-----|--|
|                   | DCT, DCU, DQE | YZT |     |  |
| EN                | 8             | A2  | I   | Switch enable input  |
| GND               | 1             | A1  | —   | Ground, 0 V  |
| SCL1              | 3             | C1  | I/O | Serial clock, low-voltage side                               |
| SCL2              | 6             | C2  | I/O | Serial clock, high-voltage side                              |
| SDA1              | 4             | D1  | I/O | Serial data, low-voltage side                                |
| SDA2              | 5             | D2  | I/O | Serial data, high-voltage side                               |
| V <sub>REF1</sub> | 2             | B1  | I   | Low-voltage-side reference supply voltage for SCL1 and SDA1  |
| V <sub>REF2</sub> | 7             | B2  | I   | High-voltage-side reference supply voltage for SCL2 and SDA2 |

## 6 Specifications

### 6.1 Absolute Maximum Ratings

over operating ambient temperature range (unless otherwise noted) see <sup>(1)</sup>

|                     |   | MIN                | MAX | UNIT |
|---------------------|---|--------------------|-----|------|
| V <sub>REF1</sub>   | DC reference voltage range                | -0.5               | 7   | V    |
| V <sub>REF2</sub>   | DC reference bias voltage range           | -0.5               | 7   | V    |
| V <sub>I</sub>      | Input voltage range <sup>(2)</sup>        | -0.5               | 7   | V    |
| V <sub>I/O</sub>    | Input/output voltage range <sup>(2)</sup> | -0.5               | 7   | V    |
|                     | Continuous channel current                |                    | 128 | mA   |
| I <sub>IK</sub>     | Input clamp current                       | V <sub>I</sub> < 0 | -50 | mA   |
| T <sub>J(max)</sub> | Maximum junction temperature              |                    | 125 | °C   |
| T <sub>stg</sub>    | Storage temperature range                 | -65                | 150 | °C   |

- (1) Operation outside the *Absolute Maximum Ratings* may cause permanent device damage. Absolute maximum ratings do not imply functional operation of the device at these or any other conditions beyond those listed under *Recommended Operating Conditions*. If briefly operating outside the *Recommended Operating Conditions* but within the *Absolute Maximum Ratings*, the device may not sustain damage, but it may not be fully functional. Operating the device in this manner may affect device reliability, functionality, performance, and shorten the device lifetime.
- (2) The input and input/output negative voltage ratings may be exceeded if the input and output current ratings are observed.

### 6.2 ESD Ratings

|                    |                         |  | VALUE | UNIT |
|--------------------|-------------------------|--|-------|------|
| V <sub>(ESD)</sub> | Electrostatic discharge | Human body model (HBM), per ANSI/ESDA/JEDEC JS-001, all pins <sup>(1)</sup>      | ±2000 | V    |
|                    |                         | Charged device model (CDM), per ANSI/ESDA/JEDEC JS-0011, all pins <sup>(2)</sup> | ±1000 |      |

- (1) JEDEC document JEP155 states that 500-V HBM allows safe manufacturing with a standard ESD control process.
- (2) JEDEC document JEP157 states that 250-V CDM allows safe manufacturing with a standard ESD control process.

### 6.3 Recommended Operating Conditions

|                                  |                               |                        | MIN | MAX | UNIT |
|----------------------------------|-------------------------------|------------------------|-----|-----|------|
| V <sub>I/O</sub>                 | Input/output voltage          | SCL1, SDA1, SCL2, SDA2 | 0   | 5.5 | V    |
| V <sub>REF1</sub> <sup>(1)</sup> | Reference voltage             |                        | 0   | 5.5 | V    |
| V <sub>REF2</sub> <sup>(1)</sup> | Reference voltage             |                        | 0   | 5.5 | V    |
| EN                               | Enable input voltage          |                        | 0   | 5.5 | V    |
| I <sub>PASS</sub>                | Pass switch current           |                        |     | 64  | mA   |
| T <sub>A</sub>                   | Operating ambient temperature |                        | -40 | 85  | °C   |

- (1) To support translation, V<sub>REF1</sub> supports 1.2 V to V<sub>REF2</sub> - 0.6 V. V<sub>REF2</sub> must be between V<sub>REF1</sub> + 0.6 V to 5.5 V. See [Section 9.2](#) for more information.

## 6.4 Thermal Information

| THERMAL METRIC <sup>(1)</sup> |  | PCA9306 |        |        |        | UNIT |
|-------------------------------|--|---------|--------|--------|--------|------|
|                               |  | DCT     | DCU    | DQE    | YZT    |      |
|                               |  | 8 PINS  | 8 PINS | 8 PINS | 8 PINS |      |
| R <sub>θJA</sub>              | Junction-to-ambient thermal resistance       | 254.1   | 275.5  | 246.5  | 125.5  | °C/W |
| R <sub>θJC(top)</sub>         | Junction-to-case (top) thermal resistance    | 148.6   | 127.1  | 149.1  | 1      | °C/W |
| R <sub>θJB</sub>              | Junction-to-board thermal resistance         | 168.8   | 186.9  | 100    | 62.7   | °C/W |
| ψ <sub>JT</sub>               | Junction-to-top characterization parameter   | 70.1    | 65.7   | 17.1   | 3.4    | °C/W |
| ψ <sub>JB</sub>               | Junction-to-board characterization parameter | 167.4   | 185.9  | 99.8   | 62.7   | °C/W |

- (1) For more information about traditional and new thermal metrics, see the [Semiconductor and IC Package Thermal Metrics](#) application report.

## 6.5 Electrical Characteristics

over recommended operating ambient temperature range (unless otherwise noted)

| PARAMETER                             |                        | TEST CONDITIONS           |                            | MIN                    | TYP <sup>(1)</sup> | MAX  | UNIT |    |     |
|---------------------------------------|------------------------|---------------------------|----------------------------|------------------------|--------------------|------|------|----|-----|
| V <sub>IK</sub>                       | Input clamp voltage    | I <sub>I</sub> = -18 mA,  | EN = 0 V                   | -1.2                   |                    | 0    | V    |    |     |
| I <sub>IH</sub>                       | Input leakage current  | V <sub>I</sub> = 5 V,     | EN = 0 V                   |                        |                    | 5    | μA   |    |     |
| C <sub>i(EN)</sub>                    | Input capacitance      | V <sub>I</sub> = 3 V or 0 |                            |                        | 11                 |      | pF   |    |     |
| C <sub>io(off)</sub>                  | Off capacitance        | SCLn, SDAn                | V <sub>O</sub> = 3 V or 0, |                        |                    | 4    | 6    | pF |     |
| C <sub>io(on)</sub>                   | On capacitance         | SCLn, SDAn                | V <sub>O</sub> = 3 V or 0, |                        |                    | 10.5 | 12.5 | pF |     |
| R <sub>ON</sub> <sup>(2)</sup>        | On-state resistance    | SCLn, SDAn                | V <sub>I</sub> = 0         | I <sub>O</sub> = 64 mA | EN = 4.5 V         | 3.5  | 5.5  | Ω  |     |
|                                       |                        |                           |                            |                        | EN = 3 V           | 4.7  | 7    |    |     |
|                                       |                        |                           |                            |                        | EN = 2.3 V         | 6.3  | 9.5  |    |     |
|                                       |                        |                           | V <sub>I</sub> = 0         | I <sub>O</sub> = 15 mA | EN = 1.5 V         | 25.5 | 32   |    |     |
|                                       |                        |                           |                            |                        | EN = 4.5 V         | 1    | 6    |    | 15  |
|                                       |                        |                           |                            |                        | EN = 3 V           | 20   | 60   |    | 140 |
| V <sub>I</sub> = 1.7 V <sup>(3)</sup> | I <sub>O</sub> = 15 mA | EN = 2.3 V                | 20                         | 60                     | 140                |      |      |    |     |

- (1) All typical values are at T<sub>A</sub> = 25°C.  
(2) Measured by the voltage drop between the SCL1 and SCL2, or SDA1 and SDA2 terminals, at the indicated current through the switch. Minimum ON-state resistance is determined by the lowest voltage of the two terminals.  
(3) Measured in current sink configuration only (See [Figure 7-1](#))

### 6.6 Switching Characteristics AC Performance (Translating Down) (EN = 3.3 V)

over recommended operating ambient temperature range, EN = 3.3 V,  $V_{IH} = 3.3$  V,  $V_{IL} = 0$ ,  $V_M = 1.15$  V (unless otherwise noted) (see [Figure 7-1](#)).

| PARAMETER <sup>(1)</sup> | FROM (INPUT) | TO (OUTPUT)  | Package  | C <sub>L</sub> = 50 pF |     | C <sub>L</sub> = 30 pF |     | C <sub>L</sub> = 15 pF |      | UNIT |
|--------------------------|--------------|--------------|----------|------------------------|-----|------------------------|-----|------------------------|------|------|
|                          |              |              |          | MIN                    | MAX | MIN                    | MAX | MIN                    | MAX  |      |
| t <sub>PLH</sub>         | SCL2 or SDA2 | SCL1 or SDA1 |          | 0                      | 0.8 | 0                      | 0.6 | 0                      | 0.3  | ns   |
| t <sub>PHL</sub>         |              |              | YZT, DQE | 0                      | 1.2 | 0                      | 1   | 0                      | 0.5  |      |
|                          |              |              | DCU, DCT |                        |     |                        |     | 0                      | 0.75 |      |

(1) Translating down: the high-voltage side driving toward the low-voltage side

### 6.7 Switching Characteristics AC Performance (Translating Down) (EN = 2.5 V)

over recommended operating ambient temperature range, EN = 2.5 V,  $V_{IH} = 3.3$  V,  $V_{IL} = 0$ ,  $V_M = 0.75$  V (unless otherwise noted) (see [Figure 7-1](#)).

| PARAMETER <sup>(1)</sup> | FROM (INPUT) | TO (OUTPUT)  | Package  | C <sub>L</sub> = 50 pF |     | C <sub>L</sub> = 30 pF |     | C <sub>L</sub> = 15 pF |      | UNIT |
|--------------------------|--------------|--------------|----------|------------------------|-----|------------------------|-----|------------------------|------|------|
|                          |              |              |          | MIN                    | MAX | MIN                    | MAX | MIN                    | MAX  |      |
| t <sub>PLH</sub>         | SCL2 or SDA2 | SCL1 or SDA1 |          | 0                      | 1   | 0                      | 0.7 | 0                      | 0.4  | ns   |
| t <sub>PHL</sub>         |              |              | YZT, DQE | 0                      | 1.3 | 0                      | 1   | 0                      | 0.6  |      |
|                          |              |              | DCT, DCU |                        |     |                        |     | 0                      | 0.75 |      |

(1) Translating down: the high-voltage side driving toward the low-voltage side

### 6.8 Switching Characteristics AC Performance (Translating Up) (EN = 3.3 V)

over recommended operating ambient temperature range, EN = 3.3 V,  $V_{IH} = 2.3$  V,  $V_{IL} = 0$ ,  $V_T = 3.3$  V,  $V_M = 1.15$  V,  $R_L = 300$  Ω (unless otherwise noted) (see [Figure 7-1](#)).

| PARAMETER <sup>(1)</sup> | FROM (INPUT) | TO (OUTPUT)  | Packages | C <sub>L</sub> = 50 pF |     | C <sub>L</sub> = 30 pF |     | C <sub>L</sub> = 15 pF |     | UNIT |
|--------------------------|--------------|--------------|----------|------------------------|-----|------------------------|-----|------------------------|-----|------|
|                          |              |              |          | MIN                    | MAX | MIN                    | MAX | MIN                    | MAX |      |
| t <sub>PLH</sub>         | SCL1 or SDA1 | SCL2 or SDA2 |          | 0                      | 0.9 | 0                      | 0.6 | 0                      | 0.4 | ns   |
| t <sub>PHL</sub>         |              |              | YZT, DQE | 0                      | 1.4 | 0                      | 1.1 | 0                      | 0.7 |      |
|                          |              |              | DCU, DCT |                        |     |                        |     | 0                      | 1.0 |      |

(1) Translating up: the low-voltage side driving toward the high-voltage side

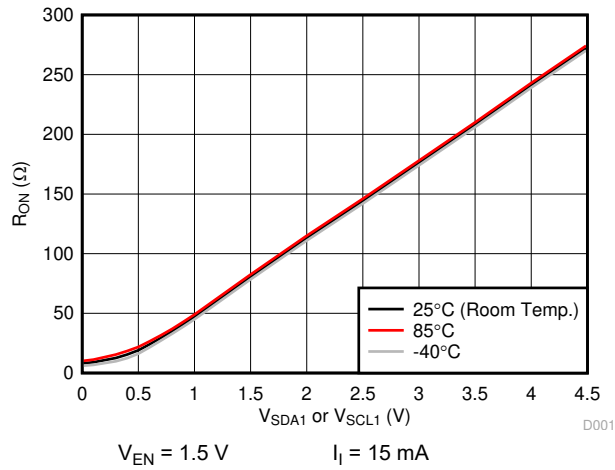
### 6.9 Switching Characteristics AC Performance (Translating Up) (EN = 2.5 V)

over recommended operating ambient temperature range, EN = 2.5 V,  $V_{IH} = 2.3$  V,  $V_{IL} = 0$ ,  $V_T = 3.3$  V,  $V_M = 0.75$  V,  $R_L = 300$  Ω (unless otherwise noted) (see [Figure 7-1](#)).

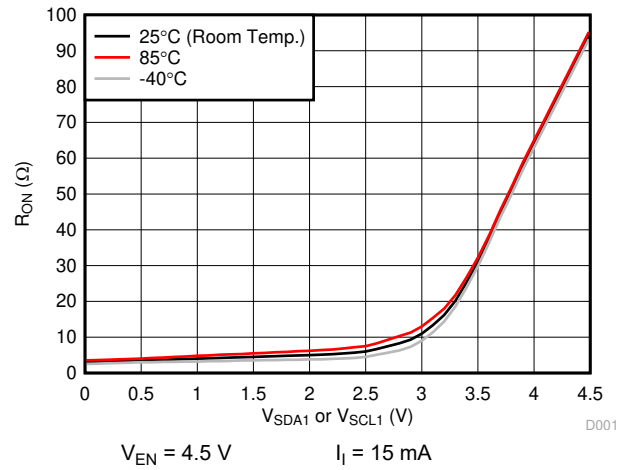
| PARAMETER <sup>(1)</sup> | FROM (INPUT) | TO (OUTPUT)  | Packages | C <sub>L</sub> = 50 pF |     | C <sub>L</sub> = 30 pF |     | C <sub>L</sub> = 15 pF |     | UNIT |
|--------------------------|--------------|--------------|----------|------------------------|-----|------------------------|-----|------------------------|-----|------|
|                          |              |              |          | MIN                    | MAX | MIN                    | MAX | MIN                    | MAX |      |
| t <sub>PLH</sub>         | SCL1 or SDA1 | SCL2 or SDA2 |          | 0                      | 1   | 0                      | 0.6 | 0                      | 0.4 | ns   |
| t <sub>PHL</sub>         |              |              | YZT, DQE | 0                      | 1.3 | 0                      | 1.3 | 0                      | 0.8 |      |
|                          |              |              | DCT, DCU |                        |     |                        |     | 0                      | 1.3 |      |

(1) Translating up: the low-voltage side driving toward the high-voltage side

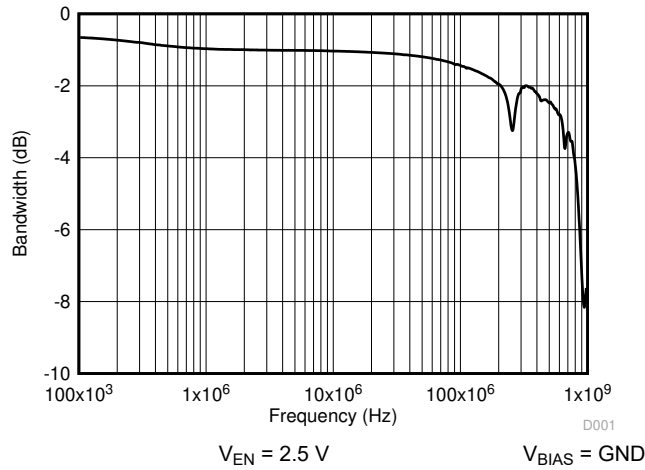
## 6.10 Typical Characteristics



**Figure 6-1. On-Resistance ( $R_{ON}$ ) vs Input Voltage ( $V_{SDA1}$  or  $V_{SCL1}$ )**



**Figure 6-2. On-Resistance ( $R_{ON}$ ) vs Input Voltage ( $V_{SDA1}$  or  $V_{SCL1}$ )**



**Figure 6-3. Typical Bandwidth of PCA9306**



## 7 Parameter Measurement Information

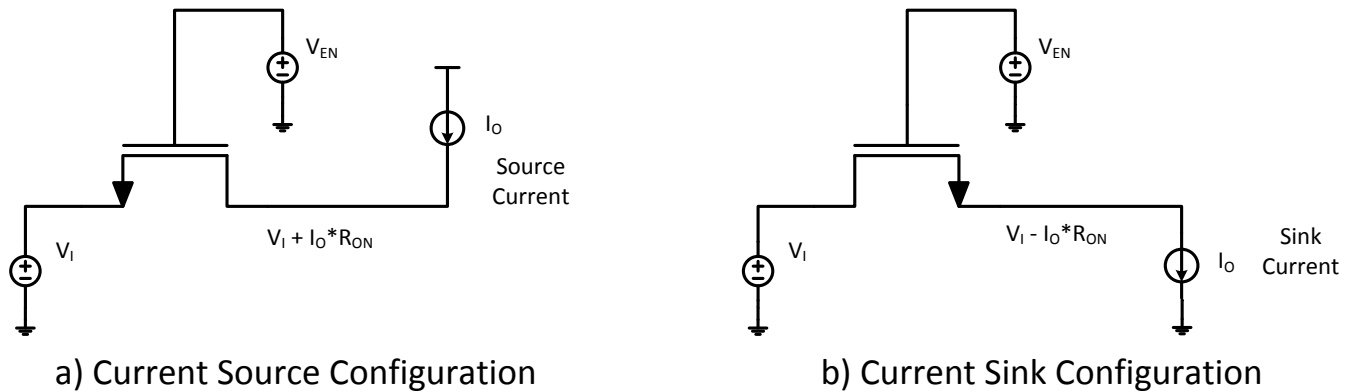
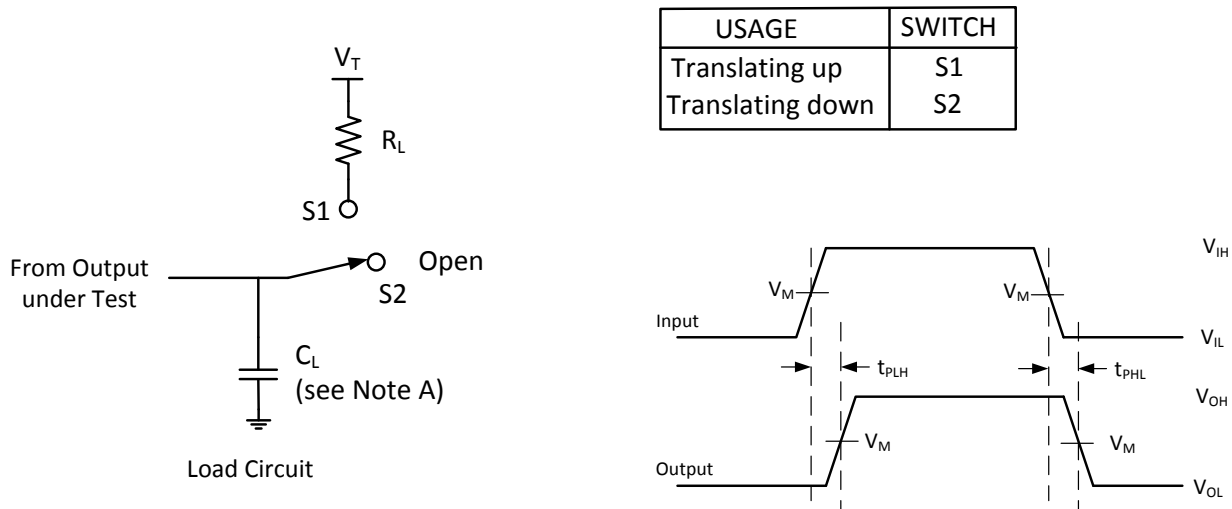


Figure 7-1. Current Source and Current Sink Configurations for  $R_{ON}$  Measurements



- NOTES: A.  $C_L$  includes probe and jig capacitance  
 B. All input pulses are supplied by generators having the following characteristics:  $PRR \leq 10$  MHz,  $Z_o = 50 \Omega$ ,  $t_r \leq 2$  ns,  $t_f \leq 2$  ns.  
 C. The outputs are measured one at a time, with one transition per measurement.

Figure 7-2. Load Circuit for Outputs

## 8 Detailed Description

### 8.1 Overview

The PCA9306 device is a dual bidirectional I<sup>2</sup>C and SMBus voltage-level translator with an enable (EN) input and operates without use of a direction pin. The voltage supply range for  $V_{REF1}$  is 1.2 V to 3.3 V and the supply range for  $V_{REF2}$  is 1.8 V to 5.5 V.

The PCA9306 device can also be used to run two buses, one at 400-kHz operating frequency and the other at 100-kHz operating frequency. If the two buses are operating at different frequencies, the 100-kHz bus must be disconnected by using the EN pin when the 400-kHz operation of the main bus is required. If the controller is running at 400 kHz, the maximum system operating frequency may be less than 400 kHz because of the delays added by the level shifter.

In I<sup>2</sup>C applications, the bus capacitance limit of 400 pF restricts the number of devices and bus length. The capacitive load on both sides of the PCA9306 device must be taken into account when approximating the total load of the system, ensuring the sum of both sides is under 400 pF.

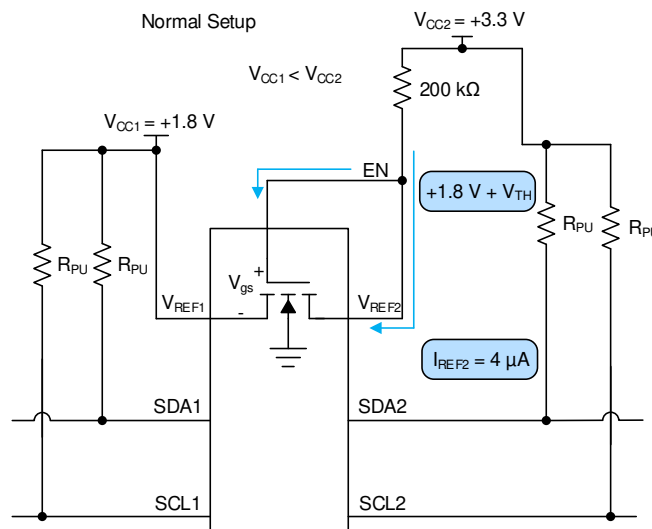
Both the SDA and SCL channels of the PCA9306 device have the same electrical characteristics, and there is minimal deviation from one output to another in voltage or propagation delay. This is a benefit over discrete-transistor voltage-translation solutions, because the fabrication of the switch is symmetrical. The translator provides excellent ESD protection to lower-voltage devices and at the same time protects less-ESD-resistant devices.

#### 8.1.1 Definition of threshold voltage

This document references a threshold voltage denoted as  $V_{th}$ , which appears multiple times throughout this document when discussing the NFET between  $V_{REF1}$  and  $V_{REF2}$ . The value of  $V_{th}$  is approximately 0.6 V at room temperature.

#### 8.1.2 Correct Device Set Up

In a normal set up shown in [Figure 8-1](#), the enable pin and  $V_{REF2}$  are shorted together and tied to a 200-k $\Omega$  resistor, and a reference voltage equal to  $V_{REF1}$  plus the FET threshold voltage is established. This reference voltage is used to help pass lows from one side to another more effectively while still separating the different pull up voltages on both sides.



**Figure 8-1. Normal Setup**

Care should be taken to ensure  $V_{REF2}$  has an external resistor tied between it and  $V_{CC2}$ . If  $V_{REF2}$  is tied directly to the  $V_{CC2}$  rail without a resistor, then there is no external resistance from the  $V_{CC2}$  to  $V_{CC1}$  to limit the current such as in [Figure 8-2](#). This effectively looks like a low impedance path for current to travel through and potentially break the pass FET if the current flowing through the pass FET is larger than the absolute

maximum continuous channel current specified in section 6.1. The continuous channel current is larger with a higher voltage difference between  $V_{CC1}$  and  $V_{CC2}$ .

Figure 8-2 shows an improper set up. If  $V_{CC2}$  is larger than  $V_{CC1}$  but less than  $V_{th}$ , the impedance between  $V_{CC1}$  and  $V_{CC2}$  is high resulting in a low drain to source current, which does not cause damage to the device. Concern arises when  $V_{CC2}$  becomes larger than  $V_{CC1}$  by  $V_{th}$ . During this event, the NFET turns on and begin to conduct current. This current is dependent on the gate to source voltage and drain to source voltage.

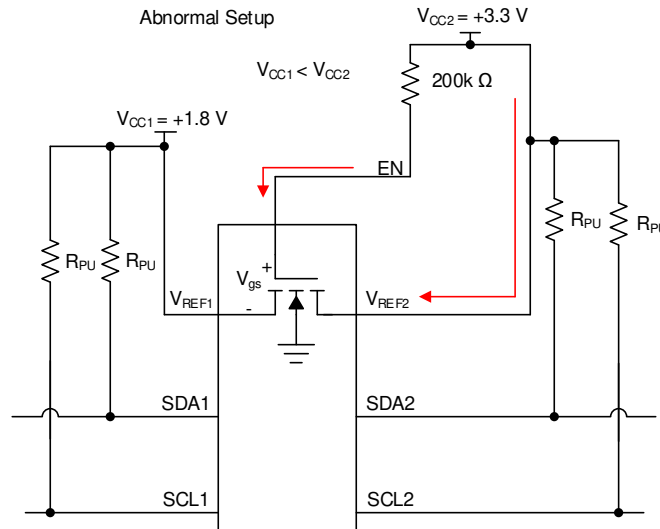


Figure 8-2. Abnormal Setup

### 8.1.3 Disconnecting an I2C target from the Main I2C Bus Using the EN Pin

PCA9306 can be used as a switch to disconnect one side of the device from the main I2C bus. This can be advantageous in multiple situations. One instance of this situation is if there are devices on the I2C bus which only supports fast mode (400 kHz) while other devices on the bus support fast mode plus (1 MHz). An example of this is displayed in Figure 8-3.

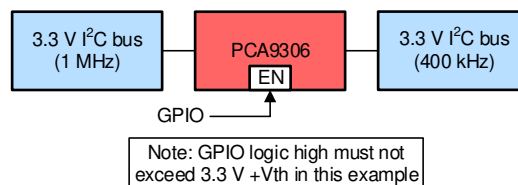
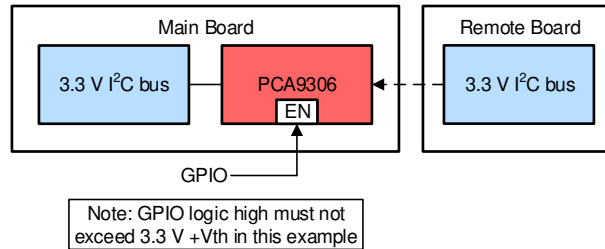


Figure 8-3. Example of an I2C bus with multiple supported frequencies

In this situation, if the controller is on the 1 MHz side then communicating at 1 MHz should not be attempted if PCA9306 were enabled. It needs to be disabled for PCA9306 to avoid possibly glitching state machines in devices which were designed to operate correctly at 400 kHz or slower. When PCA9306 is disabled, the controller can communicate with the 1 MHz devices without disturbing the 400 kHz bus. When the PCA9306 is enabled, communication across both sides at 400 kHz is acceptable.

### 8.1.4 Supporting Remote Board Insertion to Backplane with PCA9306

Another situation where PCA9306 is advantageous when using its enable feature is when a remote board with I2C lines needs to be attached to a main board (backplane) with an I2C bus such as in Figure 8-4. If connecting a remote board to a backplane is not done properly, the connection could result in data corruption during a transaction or the insertion could generate an unintended pulse on the SCL line. Which could glitch an I2C device state machine causing the I2C bus to get stuck.

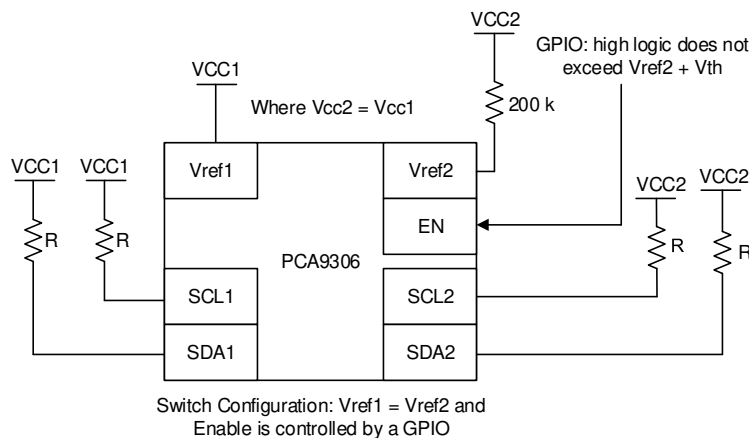


**Figure 8-4. An example of connecting a remote board to a main board (backplane)**

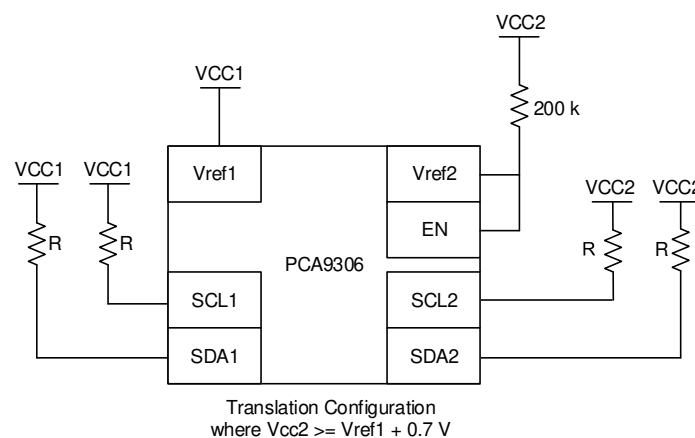
PCA9306 can be used to support this application because it can be disabled while making the connection. Then it is enabled once the remote board is powered on and the buses on both sides are IDLE.

### 8.1.5 Switch Configuration

PCA9306 has the capability of being used with its  $V_{REF1}$  voltage equal to  $V_{REF2}$ . This essentially turns the device from a translator to a device which can be used as a switch, and in some situations this can be useful. The switch configuration is shown in [Figure 8-5](#) and translation mode is shown in [Figure 8-6](#).



**Figure 8-5. Switch Configuration**



**Figure 8-6. Translation Configuration**

When PCA9306 is in the switch configuration ( $V_{REF1} = V_{REF2}$ ), the propagation delays are different compared to the translator configuration. Taking a look at the propagation delays, if the pull up resistance and capacitance on both sides of the bus are equal, then in switch mode the PCA9306 has the same propagation delay from side one to two and side two to one. The propagation delays become lower when  $V_{CC1}/V_{CC2}$  is larger. For

example, the propagation delay at 1.8 V is longer than at 5 V in the switching configuration. When PCA9306 is in translation mode, side one propagate lows to side two faster than side two can propagate lows to side 1. This time difference becomes larger the larger the difference between  $V_{CC2}$  and  $V_{CC1}$  becomes.

### 8.1.6 Controller on Side 1 or Side 2 of Device

I2C and SMBus are bidirectional protocol meaning devices on the bus can both transmit and receive data. PCA9306 was designed to allow for signals to be able to be transmitted from either side, thus allowing for the controller to be able to placed on either side of the device. Figure 8-7 shows the controller on side two as opposed to the diagram on page 1 of this data sheet.

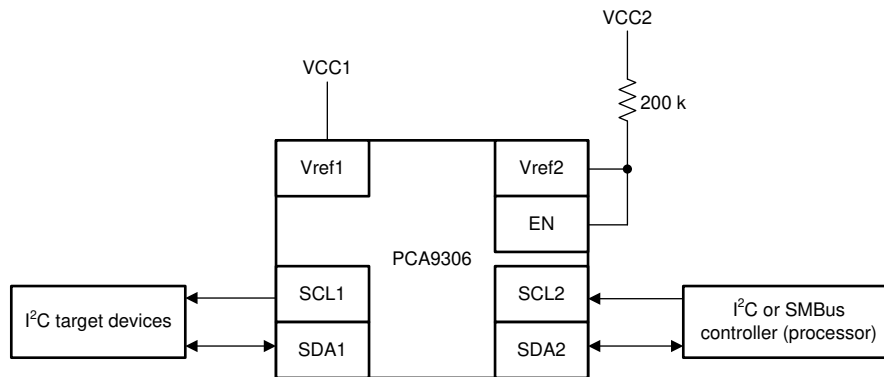


Figure 8-7. Controller on side 2 of PCA9306

### 8.1.7 LDO and PCA9306 Concerns

The  $V_{REF1}$  pin can be supplied by a low-dropout regulator (LDO), but in some cases the LDO may lose its regulation because of the bias current from  $V_{REF2}$  to  $V_{REF1}$ . If the LDO cannot sink the bias current, then the current has no other paths to ground and instead charges up the capacitance on the  $V_{REF1}$  node (both external and parasitic). This results in an increase in voltage on the  $V_{REF1}$  node. If no other paths for current to flow are established (such as back biasing of body diodes or clamping diodes through other devices on the  $V_{REF1}$  node), then the  $V_{REF1}$  voltage ends up stabilizing when  $V_{gs}$  of the pass FET is equal to  $V_{th}$ . This means  $V_{REF1}$  node voltage is  $V_{CC2} - V_{th}$ . Note that any targets/controllers running off of the LDO now see the  $V_{CC2} - V_{th}$  voltage which may cause damage to those targets/controllers if they are not rated to handle the increased voltage.

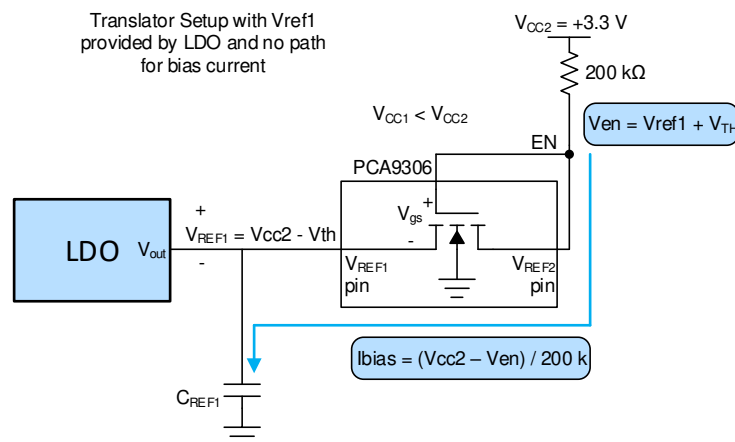
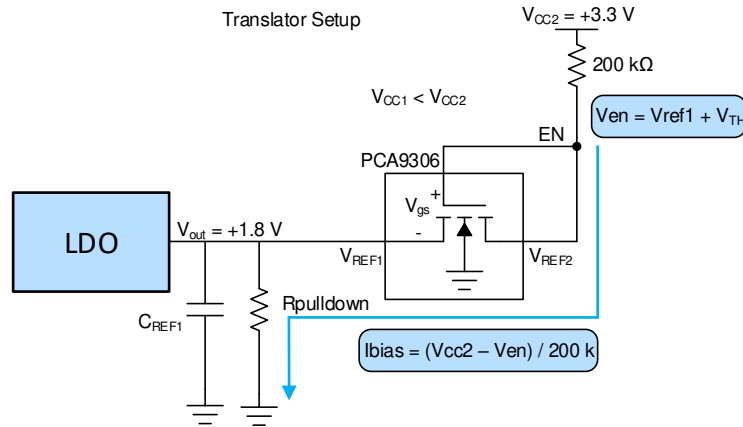


Figure 8-8. Example of no leakage current path when using LDO

To make sure the LDO does not lose regulation due to the bias current of PCA9306, a weak pull down resistor can be placed on  $V_{REF1}$  to ground to provide a path for the bias current to travel. The recommended pull down resistor is calculated by Equation 4 where 0.75 gives about 25% margin for error incase bias current increases during operation.



**Figure 8-9. Example with Leakage current path when using an LDO**

$$V_{en} = V_{REF1} + V_{th} \quad (1)$$

where

- $V_{th}$  is approximately 0.6 V

$$I_{bias} = (V_{CC2} - V_{en})/200k \quad (2)$$

$$R_{pulldown} = V_{OUT}/I_{bias} \quad (3)$$

$$\text{Recommended } R_{pulldown} = R_{pulldown} \times 0.75 \quad (4)$$

### 8.1.8 Current Limiting Resistance on $V_{REF2}$

The resistor is used to limit the current between  $V_{REF2}$  and  $V_{REF1}$  (denoted as  $R_{CC}$ ) and helps to establish the reference voltage on the enable pin. The 200k resistor can be changed to a lower value; however, the bias current proportionally increases as the resistor decreases.

$$I_{bias} = (V_{CC2} - V_{en})/R_{CC} : V_{en} = V_{REF1} + V_{th} \quad (5)$$

where

- $V_{th}$  is approximately 0.6V

Keep in mind  $R_{CC}$  should not be sized low enough that  $I_{CC}$  exceeds the absolute maximum continuous channel current specified in section 6.1 which is described in [Equation 6](#).

$$R_{CC}(\text{min}) \geq (V_{CC2} - V_{en})/0.128 : V_{en} = V_{REF1} + V_{th} \quad (6)$$

where

- $V_{th}$  is approximately 0.6V

## 8.2 Functional Block Diagram

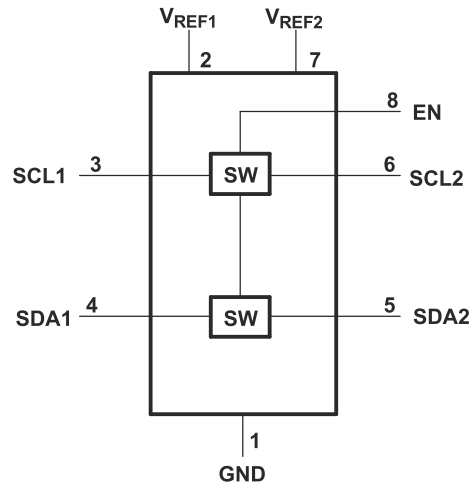


Figure 8-10. Block Diagram of PCA9306

## 8.3 Feature Description

### 8.3.1 Enable (EN) Pin

The PCA9306 device is a double-pole, single-throw switch in which the gate of the transistors is controlled by the voltage on the EN pin. In [Figure 9-1](#), the PCA9306 device is always enabled when power is applied to V<sub>REF2</sub>. In [Figure 9-2](#), the device is enabled when a control signal from a processor is in a logic-high state.

### 8.3.2 Voltage Translation

The primary feature of the PCA9306 device is translating voltage from an I<sup>2</sup>C bus referenced to V<sub>REF1</sub> up to an I<sup>2</sup>C bus referenced to V<sub>DPU</sub>, to which V<sub>REF2</sub> is connected through a 200-kΩ pullup resistor. Translation on a standard, open-drain I<sup>2</sup>C bus is achieved by simply connecting pullup resistors from SCL1 and SDA1 to V<sub>REF1</sub> and connecting pullup resistors from SCL2 and SDA2 to V<sub>DPU</sub>. Information on sizing the pullup resistors can be found in the [Sizing Pullup Resistors](#) section.

## 8.4 Device Functional Modes

| INPUT EN <sup>(1)</sup> | TRANSLATOR FUNCTION   |
|-------------------------|---|
| H                       | Logic Lows are propagated from one side to the other, Logic Highs blocked (independent pull up resistors passively drive the line high) |
| L                       | Disconnect  |

(1) The SCL switch conducts if EN is ≥ 0.6 V higher than SCL1 or SCL2. The same is true of SDA.

## 9 Application and Implementation

### Note

Information in the following applications sections is not part of the TI component specification, and TI does not warrant its accuracy or completeness. TI's customers are responsible for determining suitability of components for their purposes, as well as validating and testing their design implementation to confirm system functionality.

### 9.1 Application Information

#### 9.1.1 General Applications of I<sup>2</sup>C

As with the standard I<sup>2</sup>C system, pullup resistors are required to provide the logic-high levels on the translator bus. The size of these pullup resistors depends on the system, but each side of the repeater must have a pullup resistor. The device is designed to work with standard-mode and fast-mode I<sup>2</sup>C devices in addition to SMBus devices. Standard-mode I<sup>2</sup>C devices only specify 3 mA in a generic I<sup>2</sup>C system where standard-mode devices and multiple controllers are possible. Under certain conditions, high termination currents can be used. When the SDA1 or SDA2 port is low, the clamp is in the ON state, and a low-resistance connection exists between the SDA1 and SDA2 ports. Assuming the higher voltage is on the SDA2 port when the SDA2 port is high, the voltage on the SDA1 port is limited to the voltage set by  $V_{REF1}$ . When the SDA1 port is high, the SDA2 port is pulled to the pullup supply voltage of the drain ( $V_{DPU}$ ) by the pullup resistors. This functionality allows a seamless translation between higher and lower voltages selected by the user, without the need for directional control. The SCL1-SCL2 channel also functions in the same way as the SDA1-SDA2 channel.

#### 9.2 Typical Application

Figure 9-1 and Figure 9-2 show how these pullup resistors are connected in a typical application, as well as two options for connecting the EN pin.

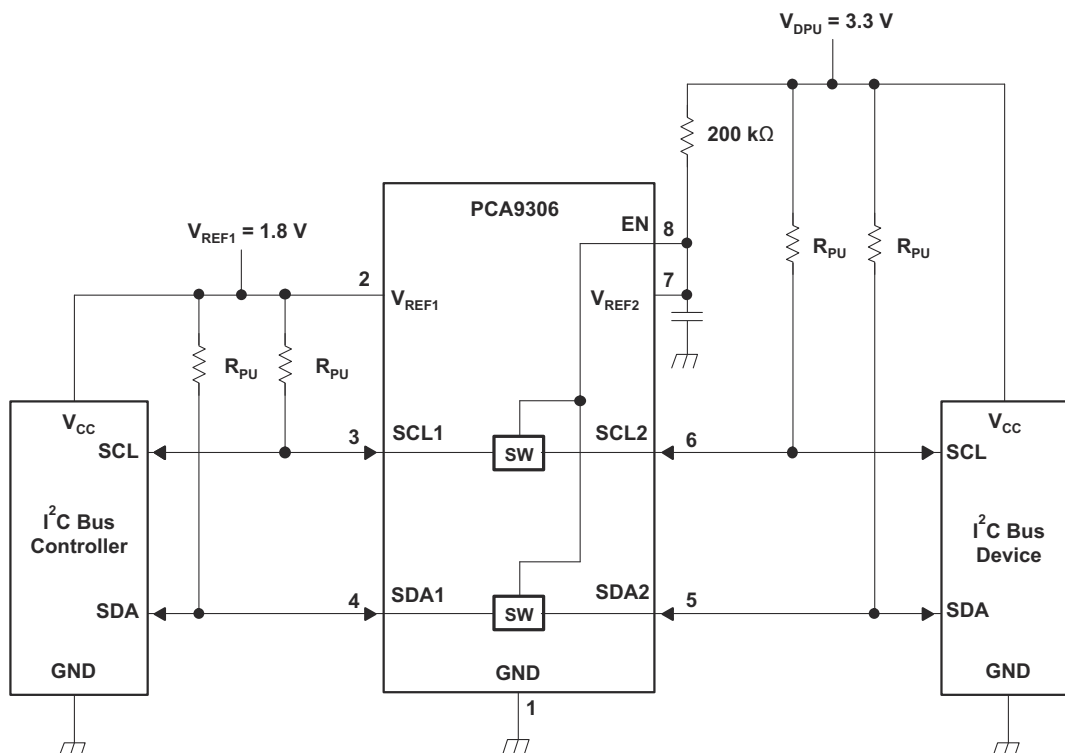


Figure 9-1. Typical Application Circuit (Switch Always Enabled)



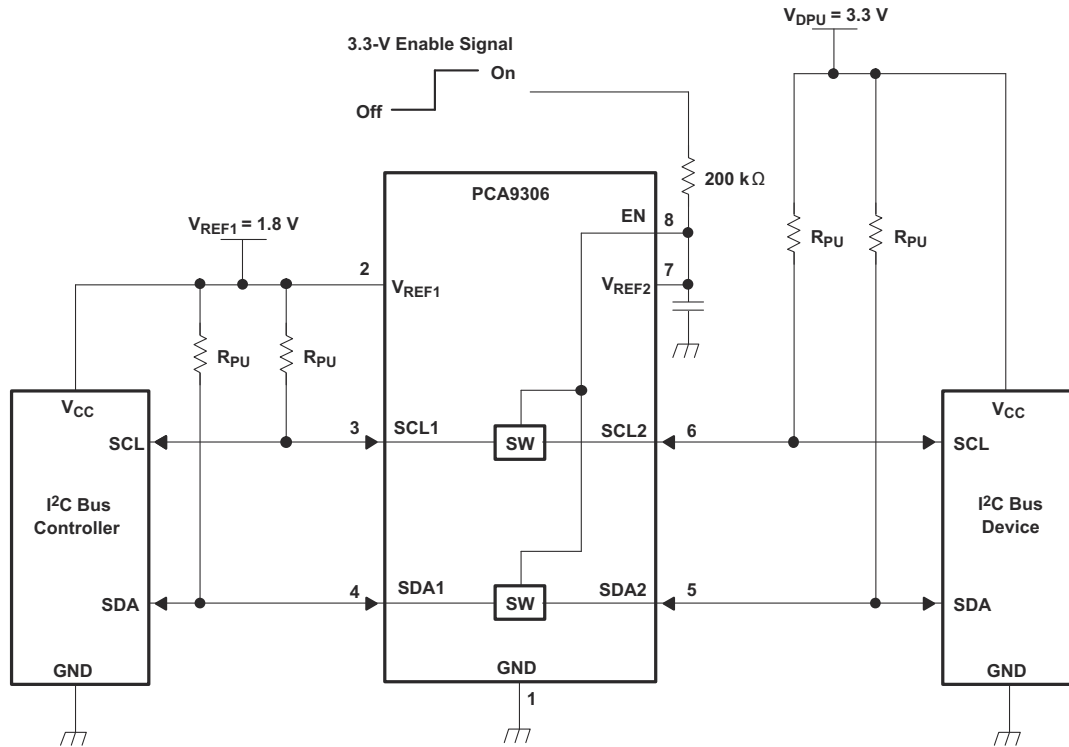


Figure 9-2. Typical Application Circuit (Switch Enable Control)

## 9.2.1 Design Requirements

|            |                              | MIN              | TYP <sup>(1)</sup> | MAX | UNIT    |
|------------|------------------------------|------------------|--------------------|-----|---------|
| $V_{REF2}$ | Reference voltage            | $V_{REF1} + 0.6$ | 2.1                | 5   | V       |
| EN         | Enable input voltage         | $V_{REF1} + 0.6$ | 2.1                | 5   | V       |
| $V_{REF1}$ | Reference voltage            | 1.2              | 1.5                | 4.4 | V       |
| $I_{PASS}$ | Pass switch current          |                  | 6                  |     | mA      |
| $I_{REF}$  | Reference-transistor current |                  | 5                  |     | $\mu$ A |

(1) All typical values are at  $T_A = 25^\circ\text{C}$ .

## 9.2.2 Detailed Design Procedure

### 9.2.2.1 Bidirectional Voltage Translation

For the bidirectional clamping configuration (higher voltage to lower voltage or lower voltage to higher voltage), the EN input must be connected to  $V_{REF2}$  and both pins pulled to high-side  $V_{DPU}$  through a pullup resistor (typically 200 k $\Omega$ ). This allows  $V_{REF2}$  to regulate the EN input. A 100-pF filter capacitor connected to  $V_{REF2}$  is recommended. The I<sup>2</sup>C bus controller output can be push-pull or open-drain (pullup resistors may be required) and the I<sup>2</sup>C bus device output can be open-drain (pullup resistors are required to pull the SCL2 and SDA2 outputs to  $V_{DPU}$ ). However, if either output is push-pull, data must be unidirectional or the outputs must be 3-state capable and be controlled by some direction-control mechanism to prevent high-to-low contentions in either direction. If both outputs are open-drain, no direction control is needed.

### 9.2.2.2 Sizing Pullup Resistors

To get an estimate for the range of values that can be used for the pullup resistor, please refer to the application note [SLVA689](#). [Figure 9-3](#) and [Figure 9-4](#) respectively show the maximum and minimum pullup resistance allowable by the I<sup>2</sup>C specification for standard-mode (100 kHz) and fast-mode (400 kHz) operation.

### 9.2.2.3 PCA9306 Bandwidth

The maximum frequency of the PCA9306 device depends on the application. The device can operate at speeds of > 100 MHz given the correct conditions. The maximum frequency is dependent upon the loading of the application.

Figure 6-3 shows a bandwidth measurement of the PCA9306 device using a two-port network analyzer.

However, this is an analog type of measurement. For digital applications, the signal should not degrade up to the fifth harmonic of the digital signal. As a rule of thumb, the frequency bandwidth should be at least five times the maximum digital clock rate. This component of the signal is very important in determining the overall shape of the digital signal. In the case of the PCA9306 device, digital clock frequency of >100 MHz can be achieved.

The PCA9306 device does not provide any drive capability like the PCA9515 or PCA9517 series of devices. Therefore, higher-frequency applications require higher drive strength from the host side. No pullup resistor is needed on the host side (3.3 V) if the PCA9306 device is being driven by standard CMOS push-pull output driver. Ideally, it is best to minimize the trace length from the PCA9306 device on the sink side (1.8 V) to minimize signal degradation.

You can then use a simple formula to compute the maximum *practical* frequency component or the *knee* frequency ( $f_{knee}$ ). All fast edges have an infinite spectrum of frequency components. However, there is an inflection (or *knee*) in the frequency spectrum of fast edges where frequency components higher than  $f_{knee}$  are insignificant in determining the shape of the signal.

To calculate  $f_{knee}$ :

$$f_{knee} = 0.5 / RT \text{ (10\%–90\%)} \quad (7)$$

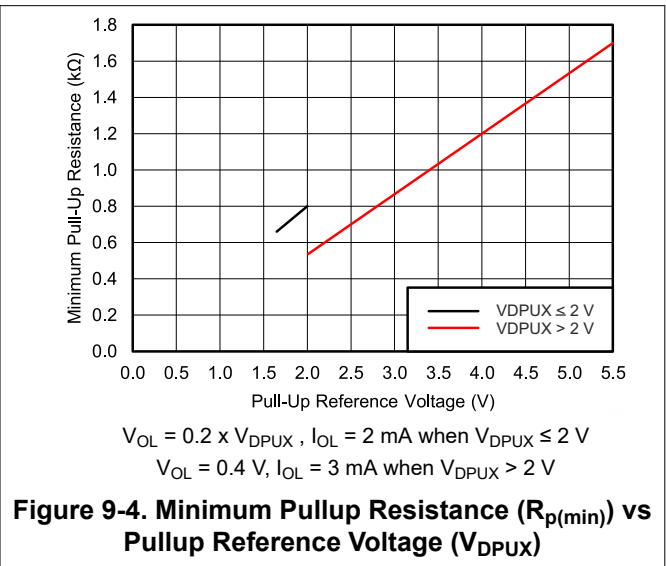
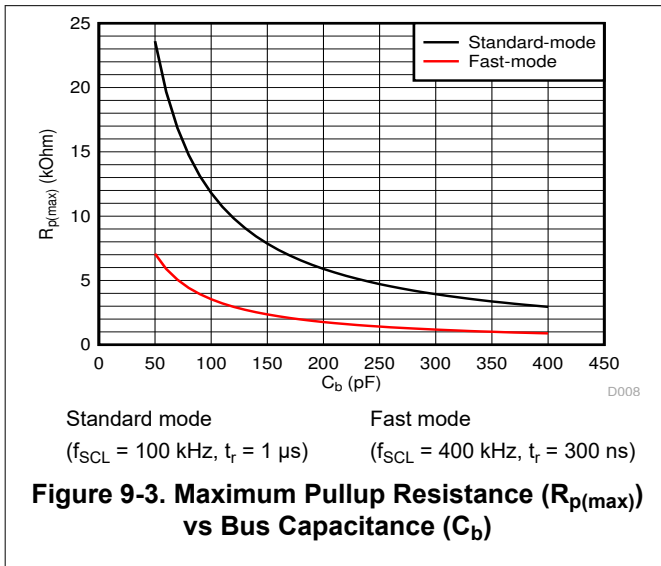
$$f_{knee} = 0.4 / RT \text{ (20\%–80\%)} \quad (8)$$

For signals with rise-time characteristics based on 10- to 90-percent thresholds,  $f_{knee}$  is equal to 0.5 divided by the rise time of the signal. For signals with rise-time characteristics based on 20- to 80-percent thresholds, which is very common in many current device specifications,  $f_{knee}$  is equal to 0.4 divided by the rise time of the signal.

Some guidelines to follow that help maximize the performance of the device:

- Keep trace length to a minimum by placing the PCA9306 device close to the I<sup>2</sup>C output of the processor.
- The trace length should be less than half the time of flight to reduce ringing and line reflections or non-monotonic behavior in the switching region.
- To reduce overshoots, a pullup resistor can be added on the 1.8 V side; be aware that a slower fall time is to be expected.

### 9.2.3 Application Curve



## 10 Power Supply Recommendations

For supplying power to the PCA9306 device, the  $V_{REF1}$  pin can be connected directly to a power supply. The  $V_{REF2}$  pin must be connected to the  $V_{DPU}$  power supply through a 200-k $\Omega$  resistor. Failure to have a high-impedance resistor between  $V_{REF2}$  and  $V_{DPU}$  results in excessive current draw and unreliable device operation. It is also worth noting, that in order to support voltage translation, the PCA9306 must have the EN and VREF2 pins shorted and then pulled up to  $V_{DPU}$  through a high-impedance resistor.

## 11 Layout

### 11.1 Layout Guidelines

For printed-circuit board (PCB) layout of the PCA9306 device, common PCB layout practices should be followed, but additional concerns related to high-speed data transfer such as matched impedances and differential pairs are not a concern for I<sup>2</sup>C signal speeds.

In all PCB layouts, it is a best practice to avoid right angles in signal traces, to fan out signal traces away from each other on leaving the vicinity of an integrated circuit (IC), and to use thicker trace widths to carry higher amounts of current that commonly pass through power and ground traces. The 100-pF filter capacitor should be placed as close to V<sub>REF2</sub> as possible. A larger decoupling capacitor can also be used, but a longer time constant of two capacitors and the 200-kΩ resistor results in longer turnon and turnoff times for the PCA9306 device. These best practices are shown in Figure 11-1.

For the layout example provided in Figure 11-1, it would be possible to fabricate a PCB with only two layers by using the top layer for signal routing and the bottom layer as a split plane for power (V<sub>CC</sub>) and ground (GND). However, a four-layer board is preferable for boards with higher-density signal routing. On a four-layer PCB, it is common to route signals on the top and bottom layer, dedicate one internal layer to a ground plane, and dedicate the other internal layer to a power plane. In a board layout using planes or split planes for power and ground, vias are placed directly next to the surface-mount component pad, which must attach to V<sub>CC</sub> or GND, and the via is connected electrically to the internal layer or the other side of the board. Vias are also used when a signal trace must be routed to the opposite side of the board, but this technique is not demonstrated in Figure 11-1.

### 11.2 Layout Example

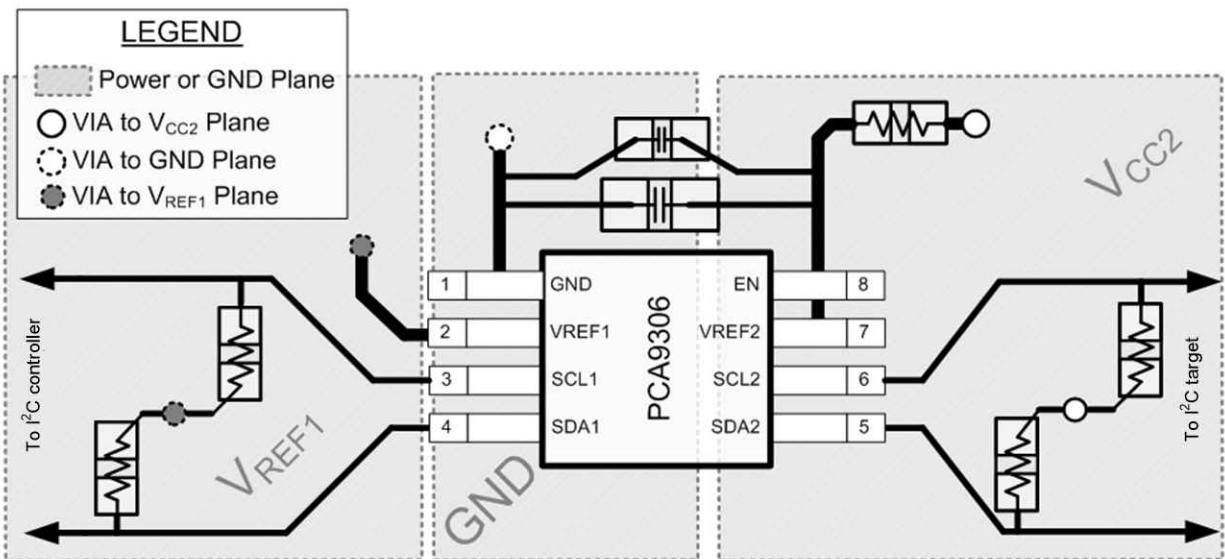


Figure 11-1. PCA9306 Layout Example

## 12 Device and Documentation Support

### 12.1 Receiving Notification of Documentation Updates

To receive notification of documentation updates, navigate to the device product folder on ti.com. In the upper right corner, click on *Alert me* to register and receive a weekly digest of any product information that has changed. For change details, review the revision history included in any revised document.

### 12.2 Support Resources

TI E2E™ [support forums](#) are an engineer's go-to source for fast, verified answers and design help — straight from the experts. Search existing answers or ask your own question to get the quick design help you need.

Linked content is provided "AS IS" by the respective contributors. They do not constitute TI specifications and do not necessarily reflect TI's views; see TI's [Terms of Use](#).

### 12.3 Trademarks

TI E2E™ is a trademark of Texas Instruments.

All trademarks are the property of their respective owners.

### 12.4 Electrostatic Discharge Caution



This integrated circuit can be damaged by ESD. Texas Instruments recommends that all integrated circuits be handled with appropriate precautions. Failure to observe proper handling and installation procedures can cause damage.

ESD damage can range from subtle performance degradation to complete device failure. Precision integrated circuits may be more susceptible to damage because very small parametric changes could cause the device not to meet its published specifications.

### 12.5 Glossary

[TI Glossary](#) This glossary lists and explains terms, acronyms, and definitions.

### Mechanical, Packaging, and Orderable Information

The following pages include mechanical, packaging, and orderable information. This information is the most-current data available for the designated device. This data is subject to change without notice and without revision of this document. For browser-based versions of this data sheet, see the left-hand navigation pane.

## PACKAGING INFORMATION

| Orderable Device | Status<br>(1) | Package Type | Package Drawing | Pins | Package Qty | Eco Plan<br>(2) | Lead finish/<br>Ball material<br>(6) | MSL Peak Temp<br>(3) | Op Temp (°C) | Device Marking<br>(4/5)     | Samples                 |
|------------------|---------------|--------------|-----------------|------|-------------|-----------------|--------------------------------------|----------------------|--------------|-----------------------------|-------------------------|
| PCA9306DCTR      | ACTIVE        | SM8          | DCT             | 8    | 3000        | RoHS & Green    | NIPDAU                               | Level-1-260C-UNLIM   | -40 to 85    | 7BD<br>(G, S, Y)            | <a href="#">Samples</a> |
| PCA9306DCTRE4    | LIFEBUY       | SM8          | DCT             | 8    | 3000        | RoHS & Green    | NIPDAU                               | Level-1-260C-UNLIM   | -40 to 85    | 7BD<br>(G, S, Y)            |                         |
| PCA9306DCTRG4    | LIFEBUY       | SM8          | DCT             | 8    | 3000        | RoHS & Green    | NIPDAU                               | Level-1-260C-UNLIM   | -40 to 85    | 7BD<br>(G, S, Y)            |                         |
| PCA9306DCTT      | ACTIVE        | SM8          | DCT             | 8    | 250         | RoHS & Green    | NIPDAU                               | Level-1-260C-UNLIM   | -40 to 85    | 7BD<br>(G, S, Y)            | <a href="#">Samples</a> |
| PCA9306DCTTE4    | LIFEBUY       | SM8          | DCT             | 8    | 250         | RoHS & Green    | NIPDAU                               | Level-1-260C-UNLIM   | -40 to 85    | 7BD<br>(G, S, Y)            |                         |
| PCA9306DCTTG4    | LIFEBUY       | SM8          | DCT             | 8    | 250         | RoHS & Green    | NIPDAU                               | Level-1-260C-UNLIM   | -40 to 85    | 7BD<br>(G, S, Y)            |                         |
| PCA9306DCUR      | ACTIVE        | VSSOP        | DCU             | 8    | 3000        | RoHS & Green    | NIPDAU   SN<br>  NIPDAUAG            | Level-1-260C-UNLIM   | -40 to 85    | (29O4, 7BDP, 7BDS,<br>7BDY) | <a href="#">Samples</a> |
| PCA9306DCURE4    | LIFEBUY       | VSSOP        | DCU             | 8    | 3000        | RoHS & Green    | NIPDAU                               | Level-1-260C-UNLIM   | -40 to 85    | 7BDS                        |                         |
| PCA9306DCURG4    | LIFEBUY       | VSSOP        | DCU             | 8    | 3000        | RoHS & Green    | NIPDAU                               | Level-1-260C-UNLIM   | -40 to 85    | 7BDS                        |                         |
| PCA9306DCUT      | ACTIVE        | VSSOP        | DCU             | 8    | 250         | RoHS & Green    | NIPDAU   SN<br>  NIPDAUAG            | Level-1-260C-UNLIM   | -40 to 85    | (29O4, 7BDP, 7BDS,<br>7BDY) | <a href="#">Samples</a> |
| PCA9306DCUTE4    | LIFEBUY       | VSSOP        | DCU             | 8    | 250         | RoHS & Green    | NIPDAU                               | Level-1-260C-UNLIM   | -40 to 85    | 7BDS                        |                         |
| PCA9306DCUTG4    | LIFEBUY       | VSSOP        | DCU             | 8    | 250         | RoHS & Green    | NIPDAU                               | Level-1-260C-UNLIM   | -40 to 85    | 7BDS                        |                         |
| PCA9306DQER      | ACTIVE        | X2SON        | DQE             | 8    | 5000        | RoHS & Green    | NIPDAU   NIPDAUAG                    | Level-1-260C-UNLIM   | -40 to 85    | (3M, 7F)                    | <a href="#">Samples</a> |
| PCA9306YZTR      | ACTIVE        | DSBGA        | YZT             | 8    | 3000        | RoHS & Green    | SNAGCU                               | Level-1-260C-UNLIM   | -40 to 85    | 7F                          | <a href="#">Samples</a> |

(1) The marketing status values are defined as follows:

**ACTIVE:** Product device recommended for new designs.

**LIFEBUY:** TI has announced that the device will be discontinued, and a lifetime-buy period is in effect.

**NRND:** Not recommended for new designs. Device is in production to support existing customers, but TI does not recommend using this part in a new design.

**PREVIEW:** Device has been announced but is not in production. Samples may or may not be available.

**OBSOLETE:** TI has discontinued the production of the device.

(2) **RoHS:** TI defines "RoHS" to mean semiconductor products that are compliant with the current EU RoHS requirements for all 10 RoHS substances, including the requirement that RoHS substance do not exceed 0.1% by weight in homogeneous materials. Where designed to be soldered at high temperatures, "RoHS" products are suitable for use in specified lead-free processes. TI may reference these types of products as "Pb-Free".

**RoHS Exempt:** TI defines "RoHS Exempt" to mean products that contain lead but are compliant with EU RoHS pursuant to a specific EU RoHS exemption.

**Green:** TI defines "Green" to mean the content of Chlorine (Cl) and Bromine (Br) based flame retardants meet JS709B low halogen requirements of  $\leq 1000$ ppm threshold. Antimony trioxide based flame retardants must also meet the  $\leq 1000$ ppm threshold requirement.

(3) MSL, Peak Temp. - The Moisture Sensitivity Level rating according to the JEDEC industry standard classifications, and peak solder temperature.

(4) There may be additional marking, which relates to the logo, the lot trace code information, or the environmental category on the device.

(5) Multiple Device Markings will be inside parentheses. Only one Device Marking contained in parentheses and separated by a "~" will appear on a device. If a line is indented then it is a continuation of the previous line and the two combined represent the entire Device Marking for that device.

(6) Lead finish/Ball material - Orderable Devices may have multiple material finish options. Finish options are separated by a vertical ruled line. Lead finish/Ball material values may wrap to two lines if the finish value exceeds the maximum column width.

**Important Information and Disclaimer:** The information provided on this page represents TI's knowledge and belief as of the date that it is provided. TI bases its knowledge and belief on information provided by third parties, and makes no representation or warranty as to the accuracy of such information. Efforts are underway to better integrate information from third parties. TI has taken and continues to take reasonable steps to provide representative and accurate information but may not have conducted destructive testing or chemical analysis on incoming materials and chemicals. TI and TI suppliers consider certain information to be proprietary, and thus CAS numbers and other limited information may not be available for release.

In no event shall TI's liability arising out of such information exceed the total purchase price of the TI part(s) at issue in this document sold by TI to Customer on an annual basis.

**OTHER QUALIFIED VERSIONS OF PCA9306 :**

- Automotive : [PCA9306-Q1](#)

NOTE: Qualified Version Definitions:

- Automotive - Q100 devices qualified for high-reliability automotive applications targeting zero defects



**TAPE AND REEL INFORMATION**

**QUADRANT ASSIGNMENTS FOR PIN 1 ORIENTATION IN TAPE**


\*All dimensions are nominal

| Device        | Package Type | Package Drawing | Pins | SPQ  | Reel Diameter (mm) | Reel Width W1 (mm) | A0 (mm) | B0 (mm) | K0 (mm) | P1 (mm) | W (mm) | Pin1 Quadrant |
|---------------|--------------|-----------------|------|------|--------------------|--------------------|---------|---------|---------|---------|--------|---------------|
| PCA9306DCTR   | SM8          | DCT             | 8    | 3000 | 177.8              | 12.4               | 3.45    | 4.4     | 1.45    | 4.0     | 12.0   | Q3            |
| PCA9306DCTR   | SM8          | DCT             | 8    | 3000 | 180.0              | 13.0               | 3.35    | 4.5     | 1.55    | 4.0     | 12.0   | Q3            |
| PCA9306DCTT   | SM8          | DCT             | 8    | 250  | 180.0              | 13.0               | 3.35    | 4.5     | 1.55    | 4.0     | 12.0   | Q3            |
| PCA9306DCTT   | SM8          | DCT             | 8    | 250  | 177.8              | 12.4               | 3.45    | 4.4     | 1.45    | 4.0     | 12.0   | Q3            |
| PCA9306DCUR   | VSSOP        | DCU             | 8    | 3000 | 178.0              | 9.0                | 2.25    | 3.35    | 1.05    | 4.0     | 8.0    | Q3            |
| PCA9306DCUR   | VSSOP        | DCU             | 8    | 3000 | 180.0              | 9.0                | 2.25    | 3.4     | 1.0     | 4.0     | 8.0    | Q3            |
| PCA9306DCUR   | VSSOP        | DCU             | 8    | 3000 | 180.0              | 8.4                | 2.25    | 3.35    | 1.05    | 4.0     | 8.0    | Q3            |
| PCA9306DCURG4 | VSSOP        | DCU             | 8    | 3000 | 180.0              | 8.4                | 2.25    | 3.35    | 1.05    | 4.0     | 8.0    | Q3            |
| PCA9306DCUT   | VSSOP        | DCU             | 8    | 250  | 178.0              | 9.0                | 2.25    | 3.35    | 1.05    | 4.0     | 8.0    | Q3            |
| PCA9306DCUT   | VSSOP        | DCU             | 8    | 250  | 180.0              | 8.4                | 2.25    | 3.35    | 1.05    | 4.0     | 8.0    | Q3            |
| PCA9306DCUTG4 | VSSOP        | DCU             | 8    | 250  | 180.0              | 8.4                | 2.25    | 3.35    | 1.05    | 4.0     | 8.0    | Q3            |
| PCA9306DQER   | X2SON        | DQE             | 8    | 5000 | 180.0              | 9.5                | 1.15    | 1.6     | 0.5     | 4.0     | 8.0    | Q1            |
| PCA9306DQER   | X2SON        | DQE             | 8    | 5000 | 180.0              | 8.4                | 1.2     | 1.6     | 0.55    | 4.0     | 8.0    | Q1            |
| PCA9306YZTR   | DSBGA        | YZT             | 8    | 3000 | 180.0              | 8.4                | 1.02    | 2.02    | 0.75    | 4.0     | 8.0    | Q1            |

**TAPE AND REEL BOX DIMENSIONS**


\*All dimensions are nominal

| Device        | Package Type | Package Drawing | Pins | SPQ  | Length (mm) | Width (mm) | Height (mm) |
|---------------|--------------|-----------------|------|------|-------------|------------|-------------|
| PCA9306DCTR   | SM8          | DCT             | 8    | 3000 | 183.0       | 183.0      | 20.0        |
| PCA9306DCTR   | SM8          | DCT             | 8    | 3000 | 182.0       | 182.0      | 20.0        |
| PCA9306DCTT   | SM8          | DCT             | 8    | 250  | 182.0       | 182.0      | 20.0        |
| PCA9306DCTT   | SM8          | DCT             | 8    | 250  | 183.0       | 183.0      | 20.0        |
| PCA9306DCUR   | VSSOP        | DCU             | 8    | 3000 | 180.0       | 180.0      | 18.0        |
| PCA9306DCUR   | VSSOP        | DCU             | 8    | 3000 | 182.0       | 182.0      | 20.0        |
| PCA9306DCUR   | VSSOP        | DCU             | 8    | 3000 | 202.0       | 201.0      | 28.0        |
| PCA9306DCURG4 | VSSOP        | DCU             | 8    | 3000 | 202.0       | 201.0      | 28.0        |
| PCA9306DCUT   | VSSOP        | DCU             | 8    | 250  | 180.0       | 180.0      | 18.0        |
| PCA9306DCUT   | VSSOP        | DCU             | 8    | 250  | 202.0       | 201.0      | 28.0        |
| PCA9306DCUTG4 | VSSOP        | DCU             | 8    | 250  | 202.0       | 201.0      | 28.0        |
| PCA9306DQER   | X2SON        | DQE             | 8    | 5000 | 184.0       | 184.0      | 19.0        |
| PCA9306DQER   | X2SON        | DQE             | 8    | 5000 | 202.0       | 201.0      | 28.0        |
| PCA9306YZTR   | DSBGA        | YZT             | 8    | 3000 | 182.0       | 182.0      | 20.0        |



DCU (S-PDSO-G8)

PLASTIC SMALL OUTLINE PACKAGE (DIE DOWN)

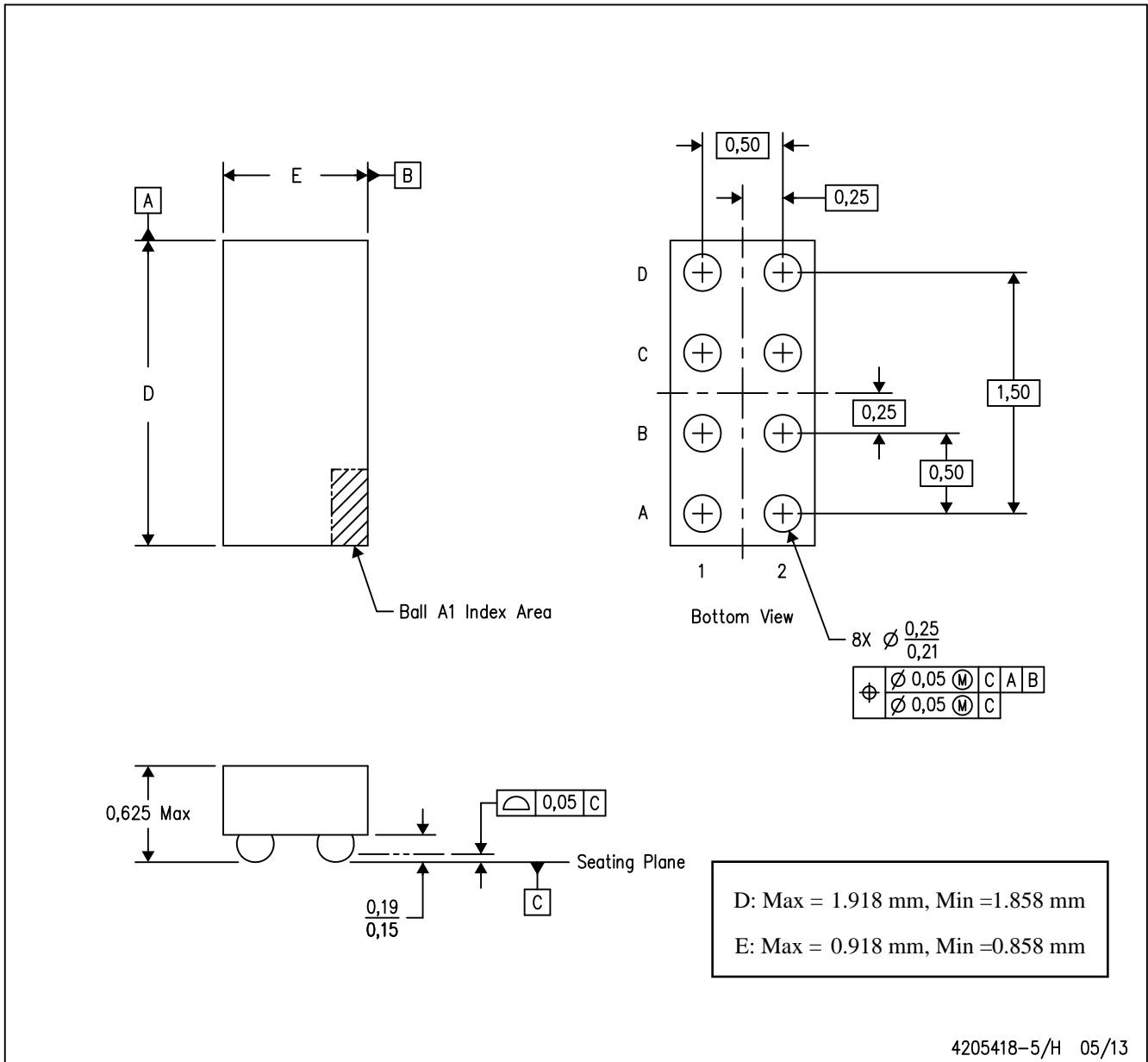


- NOTES:
- A. All linear dimensions are in millimeters.
  - B. This drawing is subject to change without notice.
  - C. Publication IPC-7351 is recommended for alternate designs.
  - D. Laser cutting apertures with trapezoidal walls and also rounding corners will offer better paste release. Customers should contact their board assembly site for stencil design recommendations. Refer to IPC-7525 for other stencil recommendations.
  - E. Customers should contact their board fabrication site for solder mask tolerances between and around signal pads.

# MECHANICAL DATA

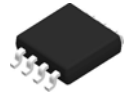
YZT (R-XBGA-N8)

DIE-SIZE BALL GRID ARRAY



- NOTES:
- A. All linear dimensions are in millimeters. Dimensioning and tolerancing per ASME Y14.5M-1994.
  - B. This drawing is subject to change without notice.
  - C. NanoFree™ package configuration.

NanoFree is a trademark of Texas Instruments.



4220784/C 06/2021

NOTES:

1. All linear dimensions are in millimeters. Dimensions in parenthesis are for reference only. Dimensioning and tolerancing per ASME Y14.5M.
2. This drawing is subject to change without notice.
3. This dimension does not include mold flash, protrusions, or gate burrs. Mold flash, protrusions, or gate burrs shall not exceed 0.15 mm per side.
4. This dimension does not include interlead flash. Interlead flash shall not exceed 0.25 mm per side.

# EXAMPLE BOARD LAYOUT

DCT0008A

SSOP - 1.3 mm max height

SMALL OUTLINE PACKAGE



LAND PATTERN EXAMPLE  
EXPOSED METAL SHOWN  
SCALE:15X



SOLDER MASK DETAILS

4220784/C 06/2021

NOTES: (continued)

- 5. Publication IPC-7351 may have alternate designs.
- 6. Solder mask tolerances between and around signal pads can vary based on board fabrication site.

# EXAMPLE STENCIL DESIGN

DCT0008A

SSOP - 1.3 mm max height

SMALL OUTLINE PACKAGE



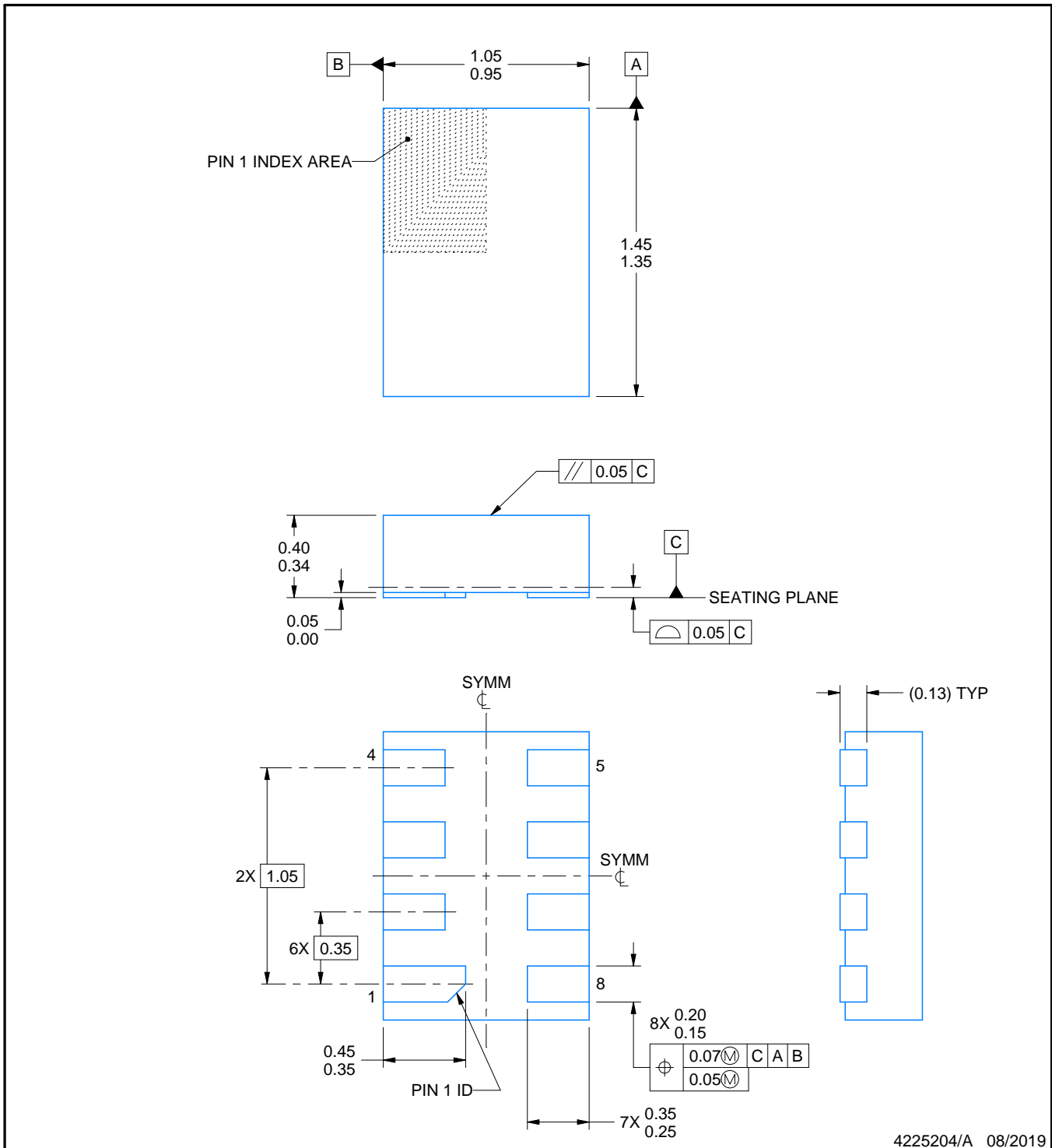
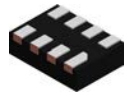
SOLDER PASTE EXAMPLE  
BASED ON 0.125 mm THICK STENCIL  
SCALE:15X

4220784/C 06/2021

NOTES: (continued)

7. Laser cutting apertures with trapezoidal walls and rounded corners may offer better paste release. IPC-7525 may have alternate design recommendations.
8. Board assembly site may have different recommendations for stencil design.





NOTES:

1. All linear dimensions are in millimeters. Any dimensions in parenthesis are for reference only. Dimensioning and tolerancing per ASME Y14.5M.
2. This drawing is subject to change without notice.
3. This package complies to JEDEC MO-287 variation X2EAF.

# EXAMPLE BOARD LAYOUT

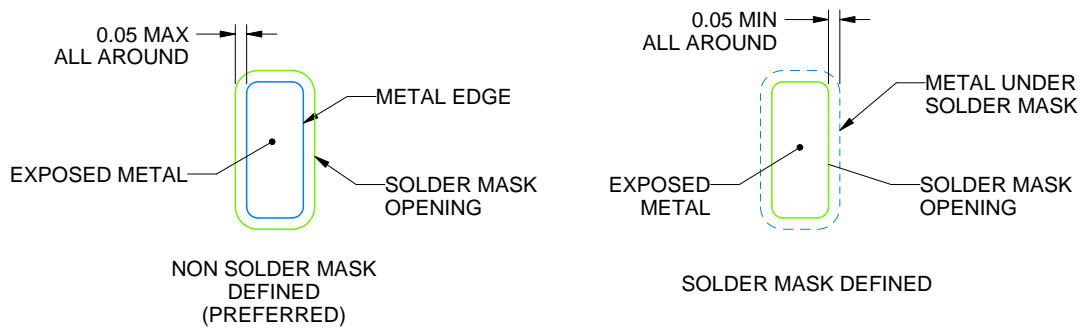
DQE0008A

X2SON - 0.4 mm max height

PLASTIC SMALL OUTLINE - NO LEAD



LAND PATTERN EXAMPLE  
EXPOSED METAL SHOWN  
SCALE: 40X



SOLDER MASK DETAILS

4225204/A 08/2019

NOTES: (continued)

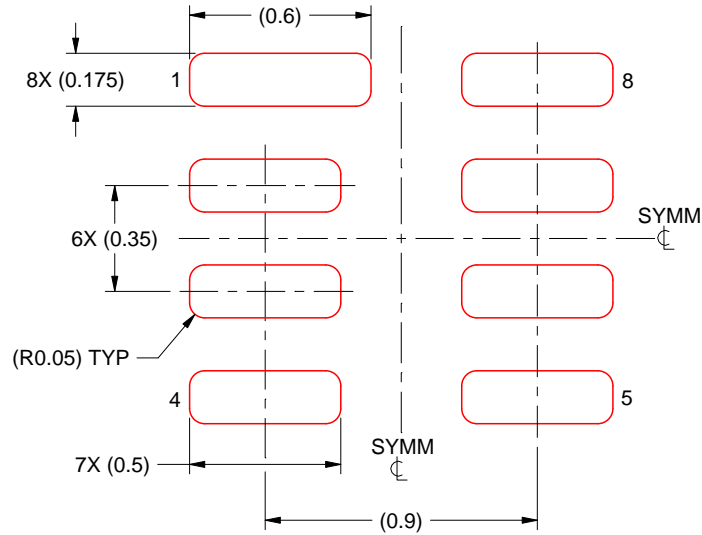
- This package is designed to be soldered to a thermal pad on the board. For more information, see Texas Instruments literature number SLUA271 ([www.ti.com/lit/slua271](http://www.ti.com/lit/slua271)).

# EXAMPLE STENCIL DESIGN

DQE0008A

X2SON - 0.4 mm max height

PLASTIC SMALL OUTLINE - NO LEAD



SOLDER PASTE EXAMPLE  
BASED ON 0.075 MM THICK STENCIL  
SCALE: 40X

4225204/A 08/2019

NOTES: (continued)

5. Laser cutting apertures with trapezoidal walls and rounded corners may offer better paste release. IPC-7525 may have alternate design recommendations.

## IMPORTANT NOTICE AND DISCLAIMER

TI PROVIDES TECHNICAL AND RELIABILITY DATA (INCLUDING DATA SHEETS), DESIGN RESOURCES (INCLUDING REFERENCE DESIGNS), APPLICATION OR OTHER DESIGN ADVICE, WEB TOOLS, SAFETY INFORMATION, AND OTHER RESOURCES "AS IS" AND WITH ALL FAULTS, AND DISCLAIMS ALL WARRANTIES, EXPRESS AND IMPLIED, INCLUDING WITHOUT LIMITATION ANY IMPLIED WARRANTIES OF MERCHANTABILITY, FITNESS FOR A PARTICULAR PURPOSE OR NON-INFRINGEMENT OF THIRD PARTY INTELLECTUAL PROPERTY RIGHTS.

These resources are intended for skilled developers designing with TI products. You are solely responsible for (1) selecting the appropriate TI products for your application, (2) designing, validating and testing your application, and (3) ensuring your application meets applicable standards, and any other safety, security, regulatory or other requirements.

These resources are subject to change without notice. TI grants you permission to use these resources only for development of an application that uses the TI products described in the resource. Other reproduction and display of these resources is prohibited. No license is granted to any other TI intellectual property right or to any third party intellectual property right. TI disclaims responsibility for, and you will fully indemnify TI and its representatives against, any claims, damages, costs, losses, and liabilities arising out of your use of these resources.

TI's products are provided subject to [TI's Terms of Sale](#) or other applicable terms available either on [ti.com](http://ti.com) or provided in conjunction with such TI products. TI's provision of these resources does not expand or otherwise alter TI's applicable warranties or warranty disclaimers for TI products.

TI objects to and rejects any additional or different terms you may have proposed.

Mailing Address: Texas Instruments, Post Office Box 655303, Dallas, Texas 75265  
Copyright © 2022, Texas Instruments Incorporated