

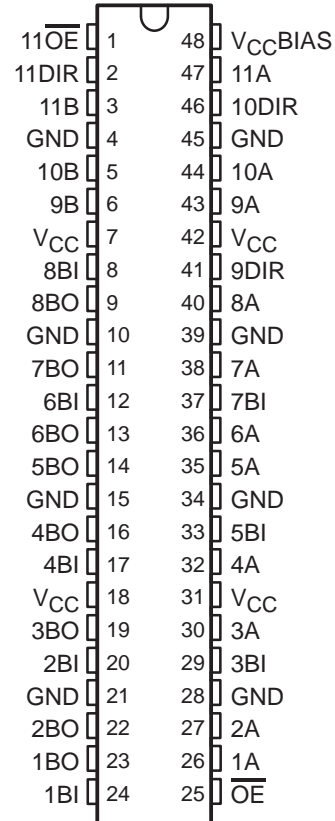
# SN74ABTE16246

## 11-BIT INCIDENT-WAVE SWITCHING BUS TRANSCEIVER WITH 3-STATE AND OPEN-COLLECTOR OUTPUTS

SCBS227J – JULY 1993 – REVISED AUGUST 2003

- Member of the Texas Instruments Widebus™ Family
- Supports the VME64 ETL Specification
- Reduced TTL-Compatible Input Threshold Range
- High-Drive Outputs ( $I_{OH} = -60\text{ mA}$ ,  $I_{OL} = 90\text{ mA}$ ) Support Equivalent 25- $\Omega$  Incident-Wave Switching
- $V_{CCBIAS}$  Pin Minimizes Signal Distortion During Live Insertion
- Internal Pullup Resistor on  $\overline{OE}$  Keeps Outputs in High-Impedance State During Power Up or Power Down
- Distributed  $V_{CC}$  and GND Pins Minimize High-Speed Switching Noise
- Equivalent 25- $\Omega$  Series Damping Resistor on B Port
- Bus Hold on Data Inputs Eliminates the Need for External Pullup/Pulldown Resistors

DGG OR DL PACKAGE  
(TOP VIEW)



### description/ordering information

The SN74ABTE16246 is an 11-bit noninverting transceiver designed for asynchronous two-way communication between buses. This device has open-collector and 3-state outputs. The device allows data transmission from the A bus to the B bus or from the B bus to the A bus, depending on the logic level at the direction-control (DIR) input. The output-enable ( $\overline{OE}$ ) input can be used to disable the device so that the buses are effectively isolated. When  $\overline{OE}$  is low, the device is active.

The B port has an equivalent 25- $\Omega$  series output resistor to reduce ringing. Active bus-hold inputs on the B port hold unused or floating inputs at a valid logic level.

The A port provides for the precharging of the outputs via  $V_{CCBIAS}$ , which establishes a voltage between 1.3 V and 1.7 V when  $V_{CC}$  is not connected.

Active bus-hold circuitry holds unused or undriven inputs at a valid logic state. Use of pullup or pulldown resistors with the bus-hold circuitry is not recommended.

### ORDERING INFORMATION

T <sub>A</sub>	PACKAGE†		ORDERABLE PART NUMBER	TOP-SIDE MARKING
-40°C to 85°C	SSOP – DL	Tube	SN74ABTE16246DL	ABTE16246
		Tape and reel	SN74ABTE16246DLR	
	TSSOP – DGG	Tape and reel	SN74ABTE16246DGGR	ABTE16246

† Package drawings, standard packing quantities, thermal data, symbolization, and PCB design guidelines are available at [www.ti.com/sc/package](http://www.ti.com/sc/package).



Please be aware that an important notice concerning availability, standard warranty, and use in critical applications of Texas Instruments semiconductor products and disclaimers thereto appears at the end of this data sheet.

Widebus is a trademark of Texas Instruments.

PRODUCTION DATA information is current as of publication date. Products conform to specifications per the terms of Texas Instruments standard warranty. Production processing does not necessarily include testing of all parameters.



POST OFFICE BOX 655303 • DALLAS, TEXAS 75265

Copyright © 2003, Texas Instruments Incorporated

**SN74ABTE16246**

**11-BIT INCIDENT-WAVE SWITCHING BUS TRANSCEIVER  
WITH 3-STATE AND OPEN-COLLECTOR OUTPUTS**

SCBS227J – JULY 1993 – REVISED AUGUST 2003

**FUNCTION TABLE**

INPUTS					OPERATION
$\overline{OE}$	9DIR	10DIR	11DIR	11 $\overline{OE}$	
H	X	X	X	X	Isolation
L	X	X	X	X	1BI–8BI data to 1A–8A bus (OC <sup>†</sup> ), 1A–8A data to 1BO–8BO bus
L	L	X	X	X	9A data to 9B bus
L	H	X	X	X	9B data to 9A bus
L	X	L	X	X	10A data to 10B bus
L	X	H	X	X	10B data to 10A bus
L	X	X	L	L	11A data to 11B bus
L	X	X	L	H	11A, 11B isolation
L	X	X	H	X	11B data to 11A bus

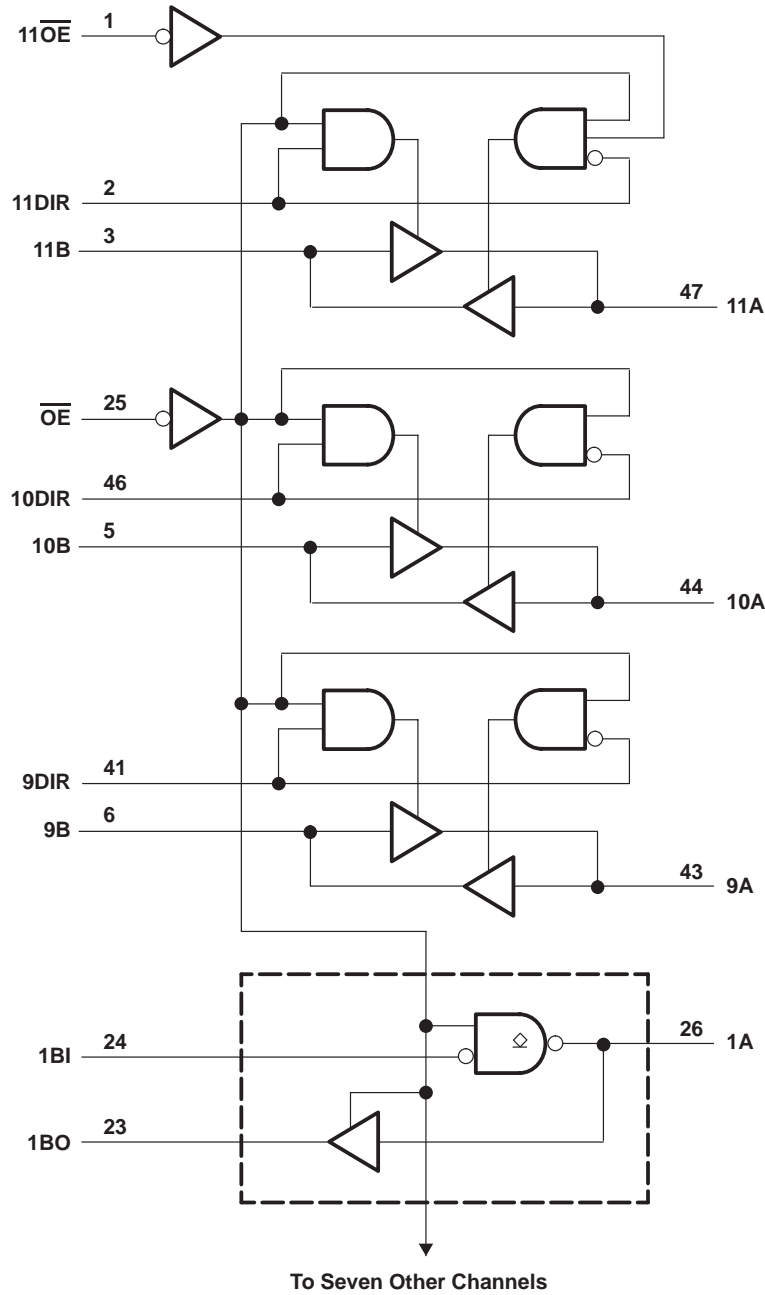
<sup>†</sup> OC = Open-collector outputs



**SN74ABTE16246**  
**11-BIT INCIDENT-WAVE SWITCHING BUS TRANSCEIVER**  
**WITH 3-STATE AND OPEN-COLLECTOR OUTPUTS**

SCBS227J – JULY 1993 – REVISED AUGUST 2003

logic diagram (positive logic)



# SN74ABTE16246

## 11-BIT INCIDENT-WAVE SWITCHING BUS TRANSCEIVER WITH 3-STATE AND OPEN-COLLECTOR OUTPUTS

SCBS227J – JULY 1993 – REVISED AUGUST 2003

### absolute maximum ratings over operating free-air temperature range (unless otherwise noted)†

Supply voltage range, $V_{CC}$ and $V_{CCBIAS}$	–0.5 V to 7 V
Input voltage range, $V_I$ (except I/O ports) (see Note 1)	–0.5 V to 7 V
Voltage range applied to any output in the high or power-off state, $V_O$	–0.5 V to 5.5 V
Current into any output in the low state, $I_O$	128 mA
Input clamp current, $I_{IK}$ ( $V_I < 0$ )	–18 mA
Output clamp current, $I_{OK}$ ( $V_O < 0$ )	–50 mA
Package thermal impedance, $\theta_{JA}$ (see Note 2): DGG package	70°C/W
DL package	63°C/W
Storage temperature range, $T_{stg}$	–65°C to 150°C

† Stresses beyond those listed under “absolute maximum ratings” may cause permanent damage to the device. These are stress ratings only, and functional operation of the device at these or any other conditions beyond those indicated under “recommended operating conditions” is not implied. Exposure to absolute-maximum-rated conditions for extended periods may affect device reliability.

- NOTES: 1. The input and output negative-voltage ratings may be exceeded if the input and output clamp-current ratings are observed.  
2. The package thermal impedance is calculated in accordance with JESD 51-7.

### recommended operating conditions (see Note 3)

		MIN	NOM	MAX	UNIT
$V_{CC}$ , $V_{CCBIAS}$	Supply voltage	4.5	5	5.5	V
$V_{IH}$	High-level input voltage	$\overline{OE}$	2		V
		Except $\overline{OE}$	1.6		
$V_{IL}$	Low-level input voltage	$\overline{OE}$		0.8	V
		Except $\overline{OE}$		1.4	
$V_{OH}$	High-level output voltage			5.5	V
$V_I$	Input voltage	0		$V_{CC}$	V
$I_{OH}$	High-level output current	B bus		–12	mA
		9A–11A		–64	
$I_{OL}$	Low-level output current	B bus		12	mA
		A bus		90	
$\Delta t/\Delta v$	Input transition rise or fall rate			10	ns/V
$T_A$	Operating free-air temperature	–40		85	°C

NOTE 3: All unused control inputs of the device must be held at  $V_{CC}$  or GND to ensure proper device operation. Refer to the TI application report, *Implications of Slow or Floating CMOS Inputs*, literature number SCBA004.



**SN74ABTE16246**  
**11-BIT INCIDENT-WAVE SWITCHING BUS TRANSCEIVER**  
**WITH 3-STATE AND OPEN-COLLECTOR OUTPUTS**

SCBS227J – JULY 1993 – REVISED AUGUST 2003

**electrical characteristics over recommended operating free-air temperature range (unless otherwise noted)**

PARAMETER		TEST CONDITIONS		MIN	TYP†	MAX	UNIT
$V_{IK}$		$V_{CC} = 4.5\text{ V}$ ,	$I_I = -18\text{ mA}$			-1.2	V
$V_{OH}$	B port	$V_{CC} = 5.5\text{ V}$ ,	$I_{OH} = -100\text{ }\mu\text{A}$			$V_{CC}-0.2$	V
		$V_{CC} = 4.5\text{ V}$	$I_{OH} = -1\text{ mA}$	2.4			
		$I_{OH} = -12\text{ mA}$	2				
	9A–11A	$V_{CC} = 5.5\text{ V}$ ,	$I_{OH} = -1\text{ mA}$			4.5	
		$V_{CC} = 4.5\text{ V}$	$I_{OH} = -32\text{ mA}$	2.4			
			$I_{OH} = -64\text{ mA}$	2			
$I_{OH}$	1A–8A	$V_{CC} = 4.5\text{ V}$ ,	$V_{OH} = 5.5\text{ V}$			20	$\mu\text{A}$
$V_{OL}$	B port	$V_{CC} = 4.5\text{ V}$	$I_{OL} = 1\text{ mA}$			0.4	V
			$I_{OL} = 12\text{ mA}$			0.8	
	A port	$V_{CC} = 4.5\text{ V}$	$I_{OL} = 64\text{ mA}$			0.55	
			$I_{OL} = 90\text{ mA}$			0.9	
$V_{hys}$					100		mV
$I_{I(\text{hold})}$	B port	$V_{CC} = 4.5\text{ V}$	$V_I = 0.8\text{ V}$	100			$\mu\text{A}$
			$V_I = 2\text{ V}$	-100			
		$V_{CC} = 5.5\text{ V}$ ,	$V_I = 0\text{ to }5.5\text{ V}$			$\pm 500$	
$I_I$	Control inputs	$V_{CC} = 5.5\text{ V}$	$V_I = V_{CC}\text{ or GND}$			$\pm 1$	$\mu\text{A}$
	A or B ports	$V_{CC} = 5.5\text{ V}$ , $\overline{OE} = V_{CC}$				$\pm 20$	
$I_{OZH}^\ddagger$	9A–11A	$V_{CC} = 5.5\text{ V}$ ,	$V_O = 2.7\text{ V}$			10	$\mu\text{A}$
$I_{OZL}^\ddagger$	9A–11A	$V_{CC} = 5.5\text{ V}$ ,	$V_O = 0.5\text{ V}$			-10	$\mu\text{A}$
$I_O$	A port	$V_{CC} = 5.5\text{ V}$ ,	$V_O = 2.5\text{ V}$			-50	mA
	B port					-25	
$I_{off}$		$V_{CC} = 0$ , $V_I$ or $V_O \leq 4.5\text{ V}$ ,	$V_{CCBIAS} = 0$			$\pm 100$	$\mu\text{A}$
$I_{CC}$	A or B ports	$V_{CC} = 5.5\text{ V}$ , $I_O = 0$ , $V_I = V_{CC}\text{ or GND}$	Outputs high	28	36		mA
			Outputs low	38	48		
			Outputs disabled	20	32		
$I_{CCD}$	A or B ports	$V_{CC} = 5\text{ V}$ , $C_L = 50\text{ pF}$	$\overline{OE}$ high	0.02			mA/ MHz
			$\overline{OE}$ low	0.33			
$C_i$	Control inputs	$V_I = 2.5\text{ V or }0.5\text{ V}$			2.5	4	pF
$C_{io}$	I/O ports	$V_O = 2.5\text{ V or }0.5\text{ V}$			4.5	8	pF

† All typical values are at  $V_{CC} = 5\text{ V}$ ,  $T_A = 25^\circ\text{C}$ .

‡ The parameters  $I_{OZH}$  and  $I_{OZL}$  include the input leakage current.

# SN74ABTE16246

## 11-BIT INCIDENT-WAVE SWITCHING BUS TRANSCEIVER WITH 3-STATE AND OPEN-COLLECTOR OUTPUTS

SCBS227J – JULY 1993 – REVISED AUGUST 2003

### live-insertion specifications over recommended operating free-air temperature range

PARAMETER		TEST CONDITIONS			MIN	TYP†	MAX	UNIT
I <sub>CC</sub> (V <sub>CC</sub> BIAS)		V <sub>CC</sub> = 0 to 4.5 V, V <sub>CC</sub> BIAS = 4.5 V to 5.5 V, I <sub>O</sub> (DC) = 0			250	700	μA	
		V <sub>CC</sub> = 4.5 V to 5.5 V‡, V <sub>CC</sub> BIAS = 4.5 V to 5.5 V, I <sub>O</sub> (DC) = 0				20		
V <sub>O</sub>	A port	V <sub>CC</sub> = 0	V <sub>CC</sub> BIAS = 4.5 V to 5.5 V		1.1	1.5	1.9	V
			V <sub>CC</sub> BIAS = 4.75 V to 5.25 V		1.3	1.5	1.7	
I <sub>O</sub>	A port	V <sub>CC</sub> = 0, V <sub>CC</sub> BIAS = 4.5 V	V <sub>O</sub> = 0		-20		-100	μA
			V <sub>O</sub> = 3 V		20		100	

† All typical values are at V<sub>CC</sub> = 5 V, T<sub>A</sub> = 25°C.

‡ V<sub>CC</sub> – 0.5 V < V<sub>CC</sub>BIAS

### switching characteristics over recommended ranges of supply voltage and operating free-air temperature, C<sub>L</sub> = 50 pF (unless otherwise noted) (see Figure 2)

PARAMETER	FROM (INPUT)	TO (OUTPUT)	V <sub>CC</sub> = 5 V, T <sub>A</sub> = 25°C			MIN	MAX	UNIT
			MIN	TYP	MAX			
t <sub>PLH</sub>	A	B	1.5	3.1	4.2	1.5	5.2	ns
t <sub>PHL</sub>			1.5	3.5	4.6	1.5	5.2	
t <sub>PLH</sub>	9B–11B	9A–11A	1.5	3	3.8	1.5	4.5	ns
t <sub>PHL</sub>			1.5	3.2	4	1.5	4.5	
t <sub>PLH</sub> §	1B–8B	1A–8A	1.5	3.2	4	1.5	4.5	ns
t <sub>PLH</sub> ¶			7.5	8.9	9.7	7.5	10.3	
t <sub>PHL</sub>			1.5	3.2	4	1.5	4.5	
t <sub>PZH</sub>	OE	9A–11A	2	4.3	5.3	2	6.2	ns
t <sub>PZL</sub>		1A–11A	2	4.4	5.4	2	6.8	
t <sub>PZH</sub>	OE	B	2	4.3	6	2	7.1	ns
t <sub>PZL</sub>			2	4.5	6.4	2	7.3	
t <sub>PHZ</sub>	OE	9A–11A	2	4.2	5.9	2	6.7	ns
t <sub>PLZ</sub>		1A–11A	2	3.5	4.6	2	5.1	
t <sub>PHZ</sub>	OE	B	2.5	4.3	6.2	2.5	7	ns
t <sub>PLZ</sub>			2	3.6	5	2	5.5	

§ Measurement point is V<sub>OL</sub> + 0.3 V.

¶ Measurement point is V<sub>OL</sub> + 1.5 V.



**SN74ABTE16246**  
**11-BIT INCIDENT-WAVE SWITCHING BUS TRANSCEIVER**  
**WITH 3-STATE AND OPEN-COLLECTOR OUTPUTS**

SCBS227J – JULY 1993 – REVISED AUGUST 2003

**extended switching characteristics over recommended ranges of supply voltage and operating free-air temperature,  $C_L = 50$  pF (unless otherwise noted) (see Figure 2)**

PARAMETER	FROM (INPUT)	TO (OUTPUT)	LOAD	$V_{CC} = 5$ V, $T_A = 25^\circ$ C			MIN	MAX	UNIT
				MIN	TYP	MAX			
$t_{PLH}$	9B–11B	9A–11A	$R_X = 13 \Omega$	1.5	3.2	4	1.5	4.8	ns
$t_{PHL}$				1.5	3.8	4.7	1.5	5.6	
$t_{PHL}$	1B–8B	1A–8A	$R_X = 13 \Omega$	1.5	3.3	4.2	1.5	4.8	ns
$t_{PLH}$	9B–11B	9A–11A	$R_X = 26 \Omega$	1.5	3.1	4	1.5	4.6	ns
$t_{PHL}$				1.5	3.5	4.4	1.5	4.9	
$t_{PHL}$	1B–8B	1A–8A	$R_X = 26 \Omega$	1.5	3.1	4	1.5	4.4	ns
$t_{PLH}$	9B–11B	1A–8A	$R_X = 56 \Omega$	1.5	3	3.8	1.5	4.5	ns
$t_{PHL}$				1.5	3.3	4.2	1.5	4.7	
$t_{PHL}$	1B–8B	1A–8A	$R_X = 56 \Omega$	1.5	3	4	1.5	4.4	ns
$t_{sk(p)}$	B	A	$R_X = \text{Open}$	0.1	0.6		2	ns	
	A	B	$R_X = \text{Open}$	0.4	0.8		2		
	B	A	$R_X = 26 \Omega$	0.3	0.8		2		
$t_{sk(o)}$	B	A	$R_X = \text{Open}$	0.3	0.7		1.3	ns	
	A	B	$R_X = \text{Open}$	0.7	1.1		1.3		
	B	A	$R_X = 26 \Omega$	0.5	1		1.3		
$t_t^\dagger$	B	A	$R_X = 26 \Omega$	0.5	0.8	1.5	0.5	1.5	ns
$t_t^\ddagger$	A	B	$R_X = \text{Open}$	3.5	5.5	7.3	3.5	7.9	ns

$^\dagger t_t$  is measured between 1 V and 2 V of the output waveform.

$^\ddagger t_t$  is measured between 10% and 90% of the output waveform.

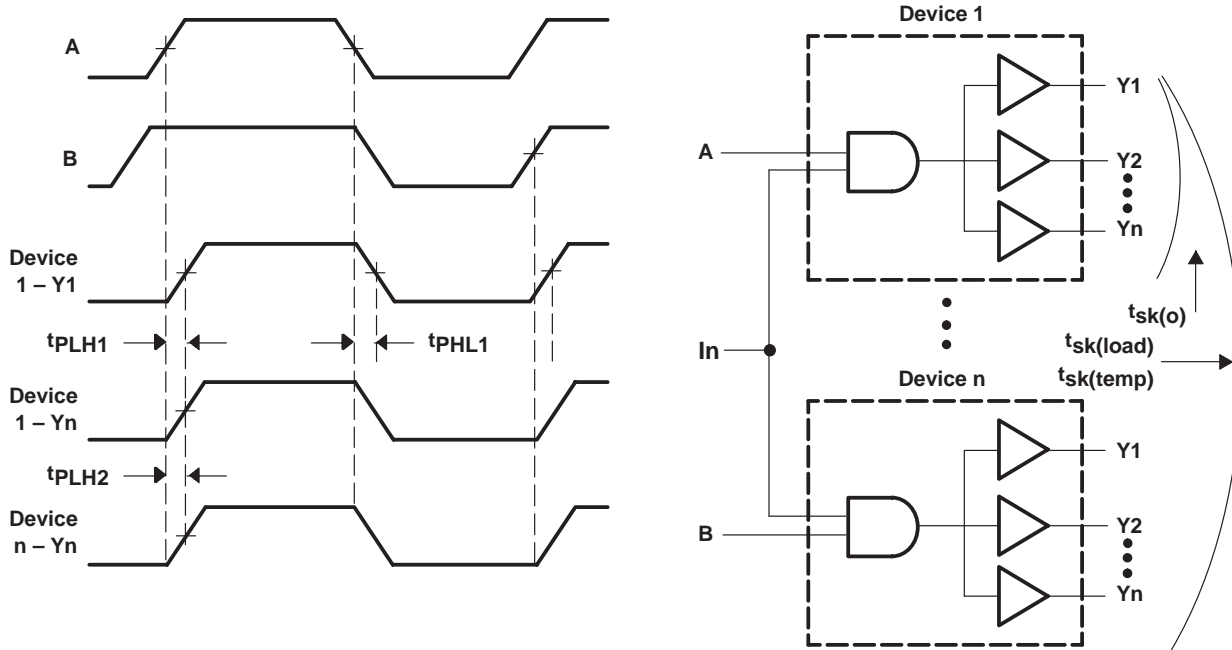
**extended output characteristics over recommended ranges of supply voltage and operating free-air temperature,  $C_L = 50$  pF (see Figures 1 and 2)**

PARAMETER	FROM (INPUT)	TO (OUTPUT)	TEST CONDITIONS	LOAD	MIN	MAX	UNIT
$t_{sk(temp)}$	A	B	$V_{CC} = \text{constant},$ $\Delta T_A = 20^\circ$ C			2.5	ns
	B	A		$R_X = 56 \Omega$		4	
$t_{sk(load)}$	B	A	$V_{CC} = \text{constant},$ Temperature = constant	$R_X = 13, 26, \text{ or } 56 \Omega$		4	ns

**SN74ABTE16246**  
**11-BIT INCIDENT-WAVE SWITCHING BUS TRANSCEIVER**  
**WITH 3-STATE AND OPEN-COLLECTOR OUTPUTS**

SCBS227J – JULY 1993 – REVISED AUGUST 2003

**PARAMETER MEASUREMENT INFORMATION**



- NOTES: A. Pulse skew,  $t_{sk(p)}$ , is defined as the difference in propagation-delay times  $t_{PLH1}$  and  $t_{PLH1}$  on the same terminal at identical operating conditions.
- B. Output skew,  $t_{sk(o)}$ , is defined as the difference in propagation delay of any two outputs of the same device switching in the same direction (e.g.,  $|t_{PLH1} - t_{PLH2}|$ ).
- C. Temperature skew,  $t_{sk(temp)}$ , is the output skew of two devices, both having the same value of  $V_{CC} \pm 1\%$  and with package temperature differences of  $20^{\circ}\text{C}$ .
- D. Load skew,  $t_{sk(load)}$ , is measured with  $R_X$  in Figure 2 at  $13\ \Omega$  for one unit and  $56\ \Omega$  for the other unit.

**Figure 1. Voltage Waveforms for Extended Characteristics**

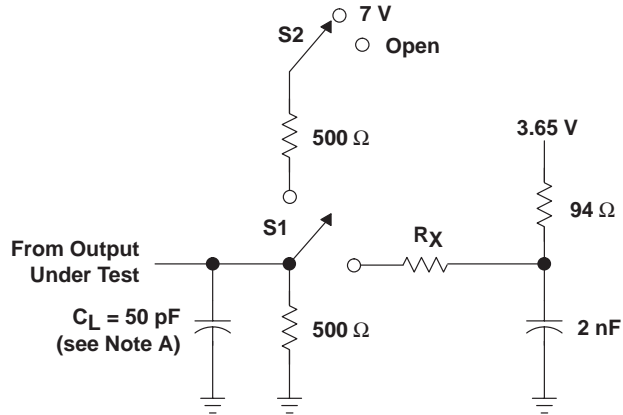


# SN74ABTE16246

## 11-BIT INCIDENT-WAVE SWITCHING BUS TRANSCEIVER WITH 3-STATE AND OPEN-COLLECTOR OUTPUTS

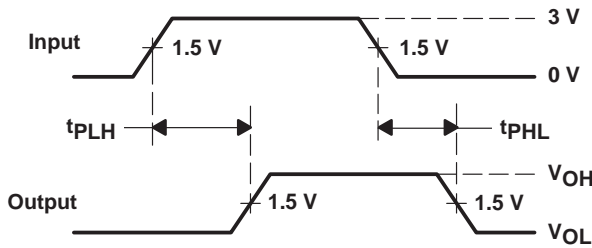
SCBS227J – JULY 1993 – REVISED AUGUST 2003

### PARAMETER MEASUREMENT INFORMATION

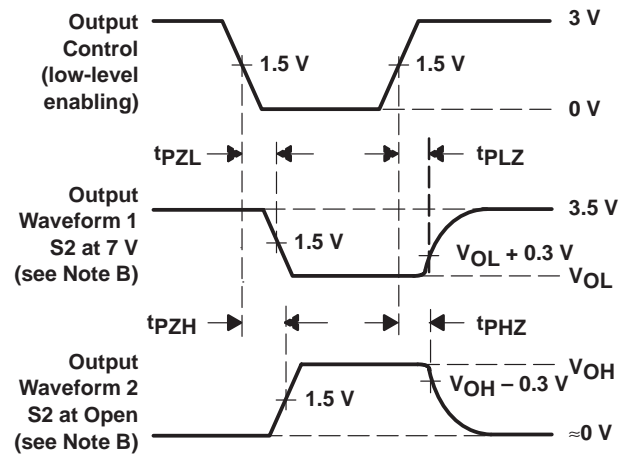


$R_X = 13, 26, \text{ or } 56 \Omega$

**LOAD CIRCUIT**



**VOLTAGE WAVEFORMS  
PROPAGATION DELAY TIMES**



**VOLTAGE WAVEFORMS  
ENABLE AND DISABLE TIMES**

SWITCHING TABLE LOADS	S1	S2
$t_{PLH}/t_{PHL}$ (9A–11A and B port)	Up	Open
$t_{PLH}/t_{PHL}$ (1A–8A)	Up	7 V
$t_{PLZ}/t_{PZL}$	Up	7 V
$t_{PHZ}/t_{PZH}$ (except 1A–8A)	Up	Open

EXTENDED SWITCHING TABLE LOADS	S1	S2
$t_{PLH}/t_{PHL}/t_{sk}$ (A port)	Down	X
$t_{PLH}/t_{PHL}/t_{sk}$ (B port)	Up	Open
$t_t$ (A port) (see Note E)	Down	X
$t_t$ (B port) (see Note F)	Up	Open

- NOTES: A.  $C_L$  includes probe and jig capacitance.  
 B. Waveform 1 is for an output with internal conditions such that the output is low except when disabled by the output control. Waveform 2 is for an output with internal conditions such that the output is high except when disabled by the output control.  
 C. All input pulses are supplied by generators having the following characteristics:  $PRR \leq 10 \text{ MHz}$ ,  $Z_O = 50 \Omega$ ,  $t_r \leq 2.5 \text{ ns}$ ,  $t_f \leq 2.5 \text{ ns}$ .  
 D. The outputs are measured one at a time with one transition per measurement.  
 E.  $t_t$  is measured between 1 V and 2 V of the output waveform.  
 F.  $t_t$  is measured between 10% and 90% of the output waveform.

**Figure 2. Load Circuit and Voltage Waveforms**

DL (R-PDSO-G\*\*)

PLASTIC SMALL-OUTLINE PACKAGE

48 PINS SHOWN



- NOTES: A. All linear dimensions are in inches (millimeters).  
 B. This drawing is subject to change without notice.  
 C. Body dimensions do not include mold flash or protrusion not to exceed 0.006 (0,15).  
 D. Falls within JEDEC MO-118

DGG (R-PDSO-G\*\*)

PLASTIC SMALL-OUTLINE PACKAGE

48 PINS SHOWN



- NOTES: A. All linear dimensions are in millimeters.  
 B. This drawing is subject to change without notice.  
 C. Body dimensions do not include mold protrusion not to exceed 0,15.  
 D. Falls within JEDEC MO-153

## IMPORTANT NOTICE

Texas Instruments Incorporated and its subsidiaries (TI) reserve the right to make corrections, modifications, enhancements, improvements, and other changes to its products and services at any time and to discontinue any product or service without notice. Customers should obtain the latest relevant information before placing orders and should verify that such information is current and complete. All products are sold subject to TI's terms and conditions of sale supplied at the time of order acknowledgment.

TI warrants performance of its hardware products to the specifications applicable at the time of sale in accordance with TI's standard warranty. Testing and other quality control techniques are used to the extent TI deems necessary to support this warranty. Except where mandated by government requirements, testing of all parameters of each product is not necessarily performed.

TI assumes no liability for applications assistance or customer product design. Customers are responsible for their products and applications using TI components. To minimize the risks associated with customer products and applications, customers should provide adequate design and operating safeguards.

TI does not warrant or represent that any license, either express or implied, is granted under any TI patent right, copyright, mask work right, or other TI intellectual property right relating to any combination, machine, or process in which TI products or services are used. Information published by TI regarding third-party products or services does not constitute a license from TI to use such products or services or a warranty or endorsement thereof. Use of such information may require a license from a third party under the patents or other intellectual property of the third party, or a license from TI under the patents or other intellectual property of TI.

Reproduction of information in TI data books or data sheets is permissible only if reproduction is without alteration and is accompanied by all associated warranties, conditions, limitations, and notices. Reproduction of this information with alteration is an unfair and deceptive business practice. TI is not responsible or liable for such altered documentation.

Resale of TI products or services with statements different from or beyond the parameters stated by TI for that product or service voids all express and any implied warranties for the associated TI product or service and is an unfair and deceptive business practice. TI is not responsible or liable for any such statements.

Following are URLs where you can obtain information on other Texas Instruments products and application solutions:

<b>Products</b>		<b>Applications</b>	
Amplifiers	<a href="http://amplifier.ti.com">amplifier.ti.com</a>	Audio	<a href="http://www.ti.com/audio">www.ti.com/audio</a>
Data Converters	<a href="http://dataconverter.ti.com">dataconverter.ti.com</a>	Automotive	<a href="http://www.ti.com/automotive">www.ti.com/automotive</a>
DSP	<a href="http://dsp.ti.com">dsp.ti.com</a>	Broadband	<a href="http://www.ti.com/broadband">www.ti.com/broadband</a>
Interface	<a href="http://interface.ti.com">interface.ti.com</a>	Digital Control	<a href="http://www.ti.com/digitalcontrol">www.ti.com/digitalcontrol</a>
Logic	<a href="http://logic.ti.com">logic.ti.com</a>	Military	<a href="http://www.ti.com/military">www.ti.com/military</a>
Power Mgmt	<a href="http://power.ti.com">power.ti.com</a>	Optical Networking	<a href="http://www.ti.com/opticalnetwork">www.ti.com/opticalnetwork</a>
Microcontrollers	<a href="http://microcontroller.ti.com">microcontroller.ti.com</a>	Security	<a href="http://www.ti.com/security">www.ti.com/security</a>
		Telephony	<a href="http://www.ti.com/telephony">www.ti.com/telephony</a>
		Video & Imaging	<a href="http://www.ti.com/video">www.ti.com/video</a>
		Wireless	<a href="http://www.ti.com/wireless">www.ti.com/wireless</a>

Mailing Address: Texas Instruments  
Post Office Box 655303 Dallas, Texas 75265

Copyright © 2003, Texas Instruments Incorporated