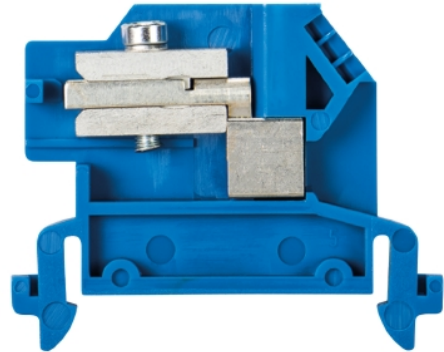


Data sheet

Commercial Art.No.: 54.004.7753.0

Neutral disconnect terminal 9700 A / 6 ETK S35

Neutral disconnect terminal with screw connection for mounting on TS 35, nominal cross section 4 mm², width 6 mm, color blue



Commercial Art.No.	54.004.7753.0
EAN	4015573209190
Order Unit	100

Technical data

General

Nominal cross section	4 mm ²
Color	Blue
Width/grid dimension	6 mm
Inflammability class of insulation material acc. with UL94	V2
Mounting method	DIN rail (top hat rail) 35/7.5 mm
Terminal blocks for electrical installations	yes

Technical data

Rated current	25 A
Rated voltage	400 V
Rated impulse voltage	6 kV
Pollution degree	3
Connecting plate required	yes
Type of insulation material	Thermoplastic
Length	46.6 mm

Connection Data

Connection type 1	screw connection
Minimum cross section solid	0.5 mm ²
Maximum cross section solid	6 mm ²
Minimum cross section fine stranded	0.5 mm ²
Maximum cross section fine stranded	4 mm ²
Wire strip length	9 mm
Torque conductor mounting	0.5 Nm
For N-busbar	3x10 mm

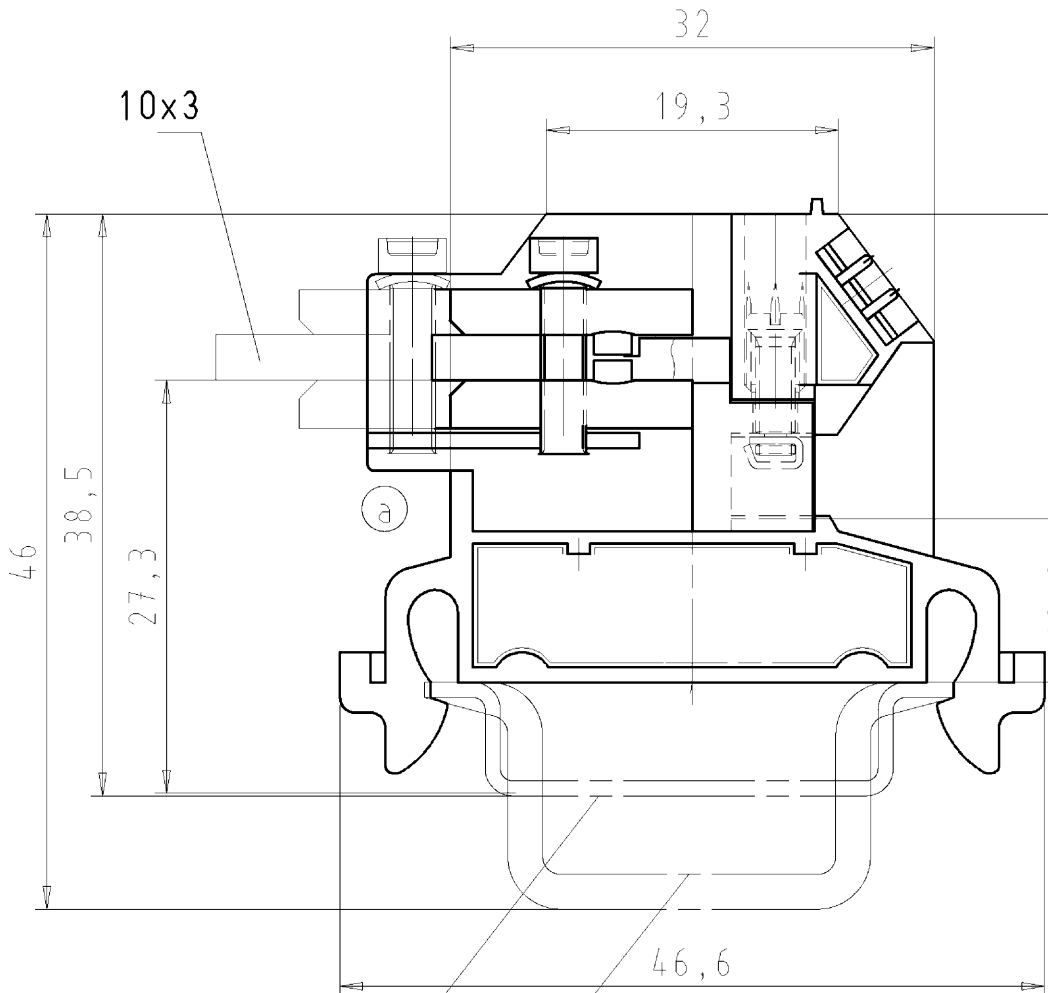
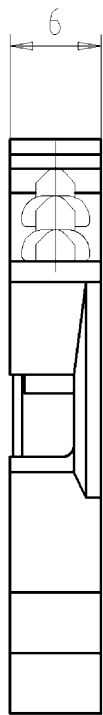
Classification

ECLASS 11	
-----------	--

ECLASS 8.1	27141138
ETIM 7.0	EC001257
ETIM 6.0	EC001257
ETIM 5.0	EC001257
ETIM 4.0	EC001257
ETIM 3.0	EC001257

Product compliance

ROHS conformity status	Compliant/Exempted
ROHS exceptions	III-6(c)
REACH-SVHC conformity status	Duty-To-Declare
REACH-SVHC substances	Lead
REACH-SVHC CAS numbers	7439-92-1



Hutschiene EN 60715-35x7,5
mounting rail EN 60715-35x7,5

Hutschiene EN 60715-35x15
mounting rail EN 60715-35x15

Weitere Daten siehe Katalog
further data see catalog

These dimensions will be especially checked at delivery
Only inspection dimensions
With /E marked dimensions are only valid for internal use

Diese Maße werden bei Abnahme besonders geprüft
Ausschließlich Prüfmaße
Mit /E gekennzeichnete Maße sind nur für interne Zwecke gültig

Weitergabe sowie Vervielfältigung dieses Dokuments, Verwertung und Mitteilung seines Inhalts sind verboten, soweit nicht ausdrücklich gestattet.
The reproduction, distribution and utilization of this document as well as the communication of its contents to others without express authorization is prohibited.

Tolerierung nach DIN 7167/Tolerance system acc. to DIN 7167.
(This DIN-standard describes the envelope principle. According to the envelope principle the deviations of form and parallelism are limited by the size tolerances).

ja/yes Stoffverbots- und Deklarationsliste nach UU-TQM-05/03 ist einzuhalten.
Conformity with Wieland document UU-TQM-05/03 (list of prohibited / declarable hazardous substances) to be declared!

Freitoleranz nach General tolerance

CAD - Zeichnung, keine manuellen Änderungen
CAD - drawing, no manual modifications allowed

I.Verwendung: -
First Use:

Blatt: 1 von 1
Sheet: 1 of 1

	/		Werkstoff/Material	2004	Tag/Date	Name	Zeichnung Nr./Drawing No.	Index	
	/			gezeichnet drawn	20.09.	Schmitt J.			T 54.004.7753.0 01K a
	/			geprüft checked	-	-			
	/	Maßstab/Scale		Normgepr. Stand., check	-	-	Maße in mm/Dimensions are in mm		
	/	2:1							

	/	Vol.	mm ³	Öl./Surf.	mm ²	Ersatz für/Replacement for: -			
	/					Type	Benennung/Tittle		
	/						N_TRENNKLEMME		
	/						Neutral disconnection terminal		
a	01.04.2011/					9700A/6			
Index	Datum / Blatt Date / Sheet					ETK S35			
Änderung/Revision									

540047753001K_2 CADWZ035 Schmitt 2011-04-06T10:12:01 1.000