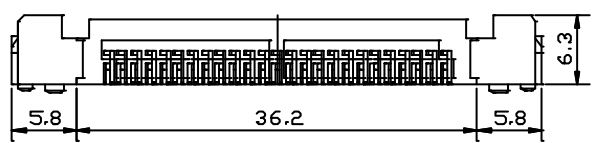
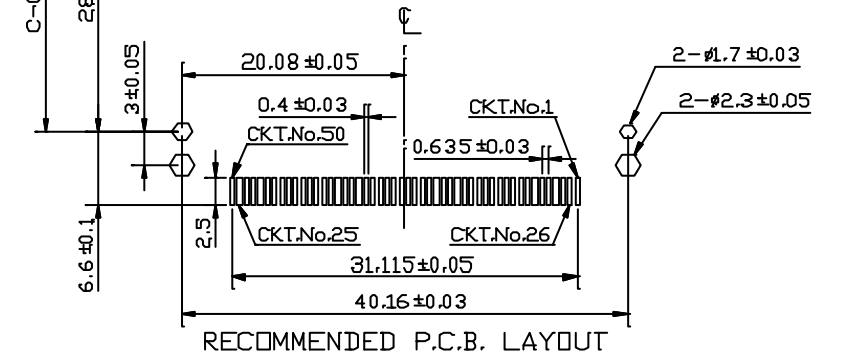
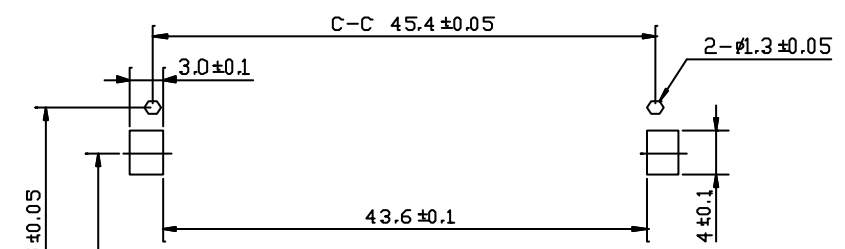
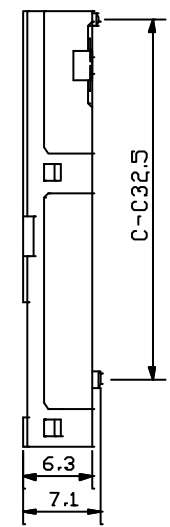
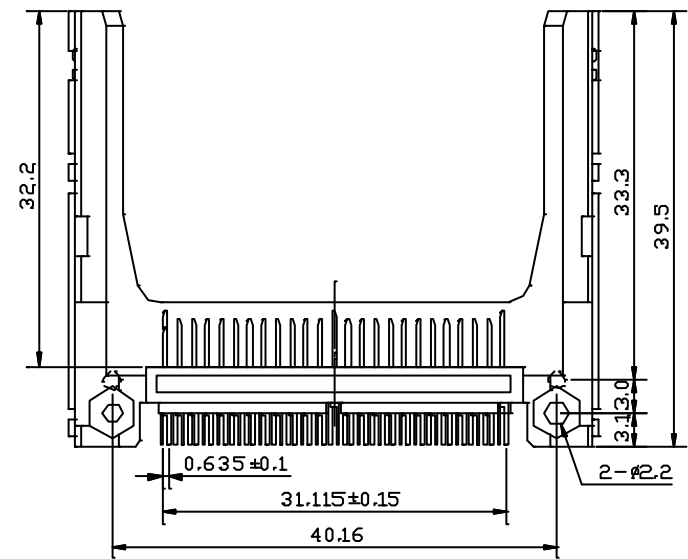


NOTES:  
 MATERIAL  
 Insulator: Glass Reinforced LCP UL94V-0  
 Contacts: Brass Alloy  
 Mount ear: Brass ; Tin plated overall  
 CONTACT PLATING  
 Contact area: Gold plating over 40u" Nickel  
 Solder tail area: 100u" tin plating over 40u" Nickel



**CFC-PW40CE201-50-LF**  
 LEADFREE

**RoHS Compliant**

PART NO. <b>CFC-PW40CE201-50</b>		CHECKED BY CY		TOLERANCES ARE .X ± 0.2 .XX ± .XXX ± AWG	DESCRIPTION: CF CARD HEADER SMT 50P TYPE II (A)	AREA	REVISIONS	HK	DATE
DWG NO. <b>CFC-PW40CE201-50</b>		DRAWING BY							
FILE NO.		PROJECTION							
UNIT / mm	SCALE 1:1								