

DETAILS

| | |
|------------------------|------------------|
| Product Number | C10926_STRADA-B |
| Family | Strada-B |
| Type | Lens |
| Color | clear |
| Diameter | 19,6 + 15,5 mm |
| Height | 5,2 mm |
| Style | rectang |
| Optic Material | PMMA |
| Holder Material | |
| Fastening | glue, screw |
| Status | production ready |
| ROHS Compliant | Yes |
| Date Updated | 23/01/2017 |



OPTICAL PROPERTIES

| LED | Viewing Angle | Light Beam | Efficiency | cd/lm | Connector |
|------|---------------|---------------|------------|-------|-----------|
| XP-E | 116+44 deg | Streetligh... | 93 % | 0.560 | - |
| XP-G | 112+42 deg | Streetligh... | 93 % | 0.500 | - |
| Z5 | sim: 110+40 | Streetligh... | 93 % | - | - |

D

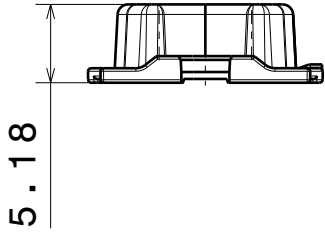
C

B

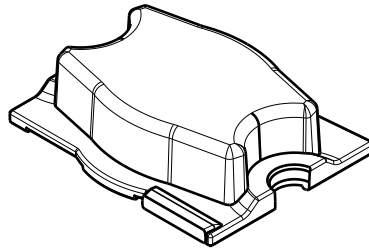
A

4

4



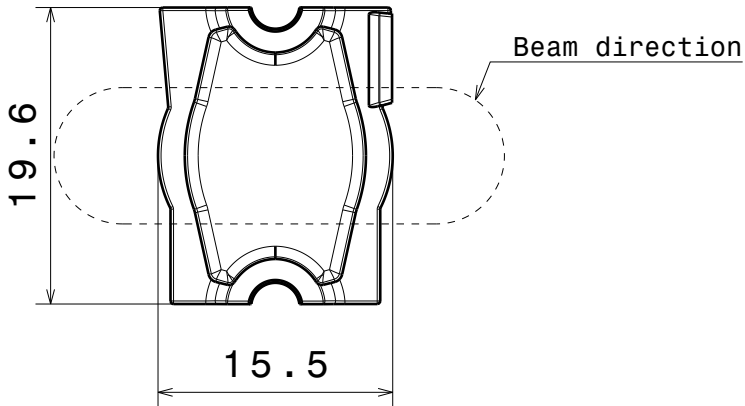
Front view



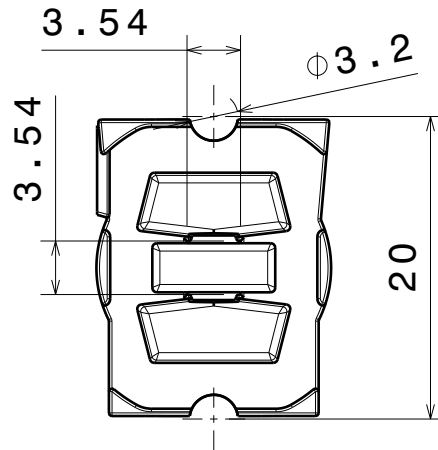
Isometric view
Scale: 2:1

3

3



Top view



Bottom view

2

2

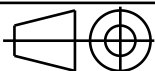
| INDEX | PART NO | DESCRIPTION | MATERIAL | COLOUR |
|-------|---------|-------------|----------|--------|
| 1 | C10926 | STRADA-B | PMMA | |

Tolerances if not otherwise shown
According to DIN ISO 2768-1
Linear measures:
Up to 30mm class M, otherwise class C.
According to DIN ISO 2768-2
Form and position: class L

LEDiL

Ledil Oy
Salorankatu 10
FIN 24240 SALO
Finland

THIRD ANGLE PROJECTION:



DRAWING TITLE

C10926_STRADA-B

This drawing is the property
of LEDiL Oy. It may not be
reproduced, copied or
communicated without a written
agreement with LEDiL Oy.

| SIZE | PART NUMBER |
|------|-------------|
|------|-------------|

A4

C10926

| | | | | | |
|-------|-----|--------|--------|-------|-----|
| SCALE | 2:1 | WEIGHT | 0,76 g | SHEET | 1/1 |
|-------|-----|--------|--------|-------|-----|

1

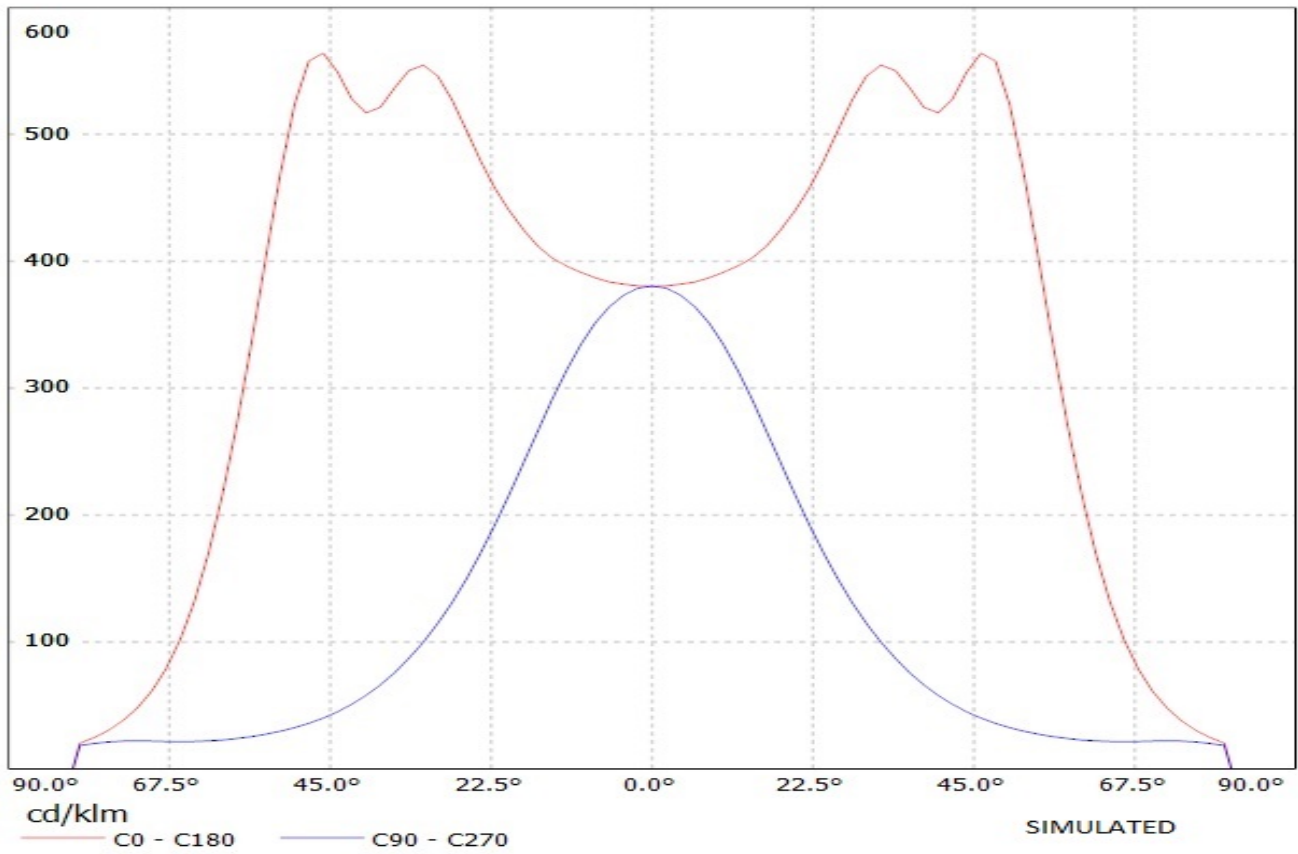
1

D

A

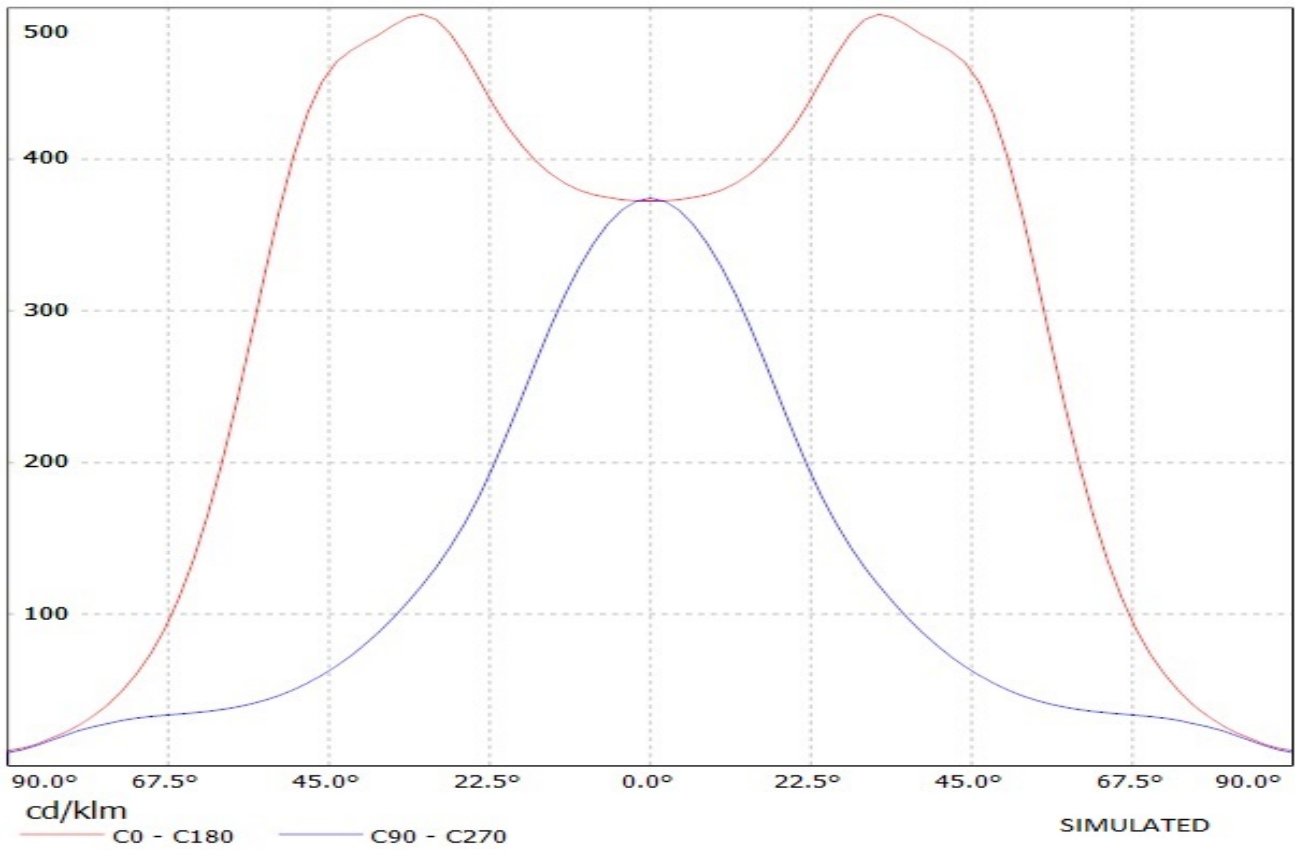
Ledil Oy C10926_Strada-B-XP C10926_Strada-B-XP / LDC (Linear)

Luminaire: Ledil Oy C10926_Strada-B-XP C10926_Strada-B-XP
Lamps: 1 x Cree XP-E (white)



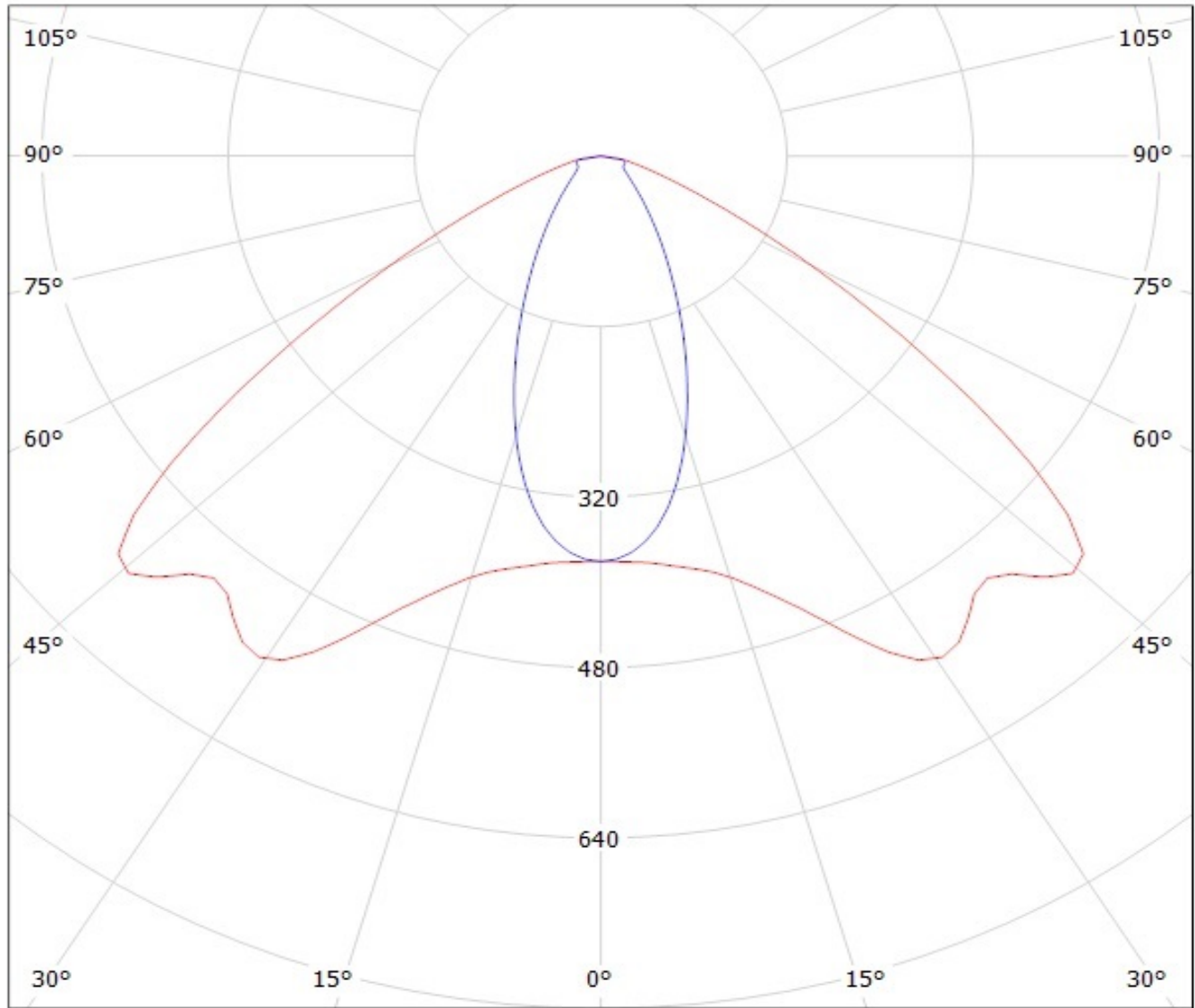
Ledil Oy C10926_Strada-B-XPG C10926_Strada-B-XPG / LDC (Linear)

Luminaire: Ledil Oy C10926_Strada-B-XPG C10926_Strada-B-XPG
Lamps: 1 x Cree XP-G (White)



Ledil Oy C10926_Strada-B-XP C10926_Strada-B-XP / LDC (Polar)

Luminaire: Ledil Oy C10926_Strada-B-XP C10926_Strada-B-XP
Lamps: 1 x Cree XP-E (white)



cd/klm

— C0 - C180

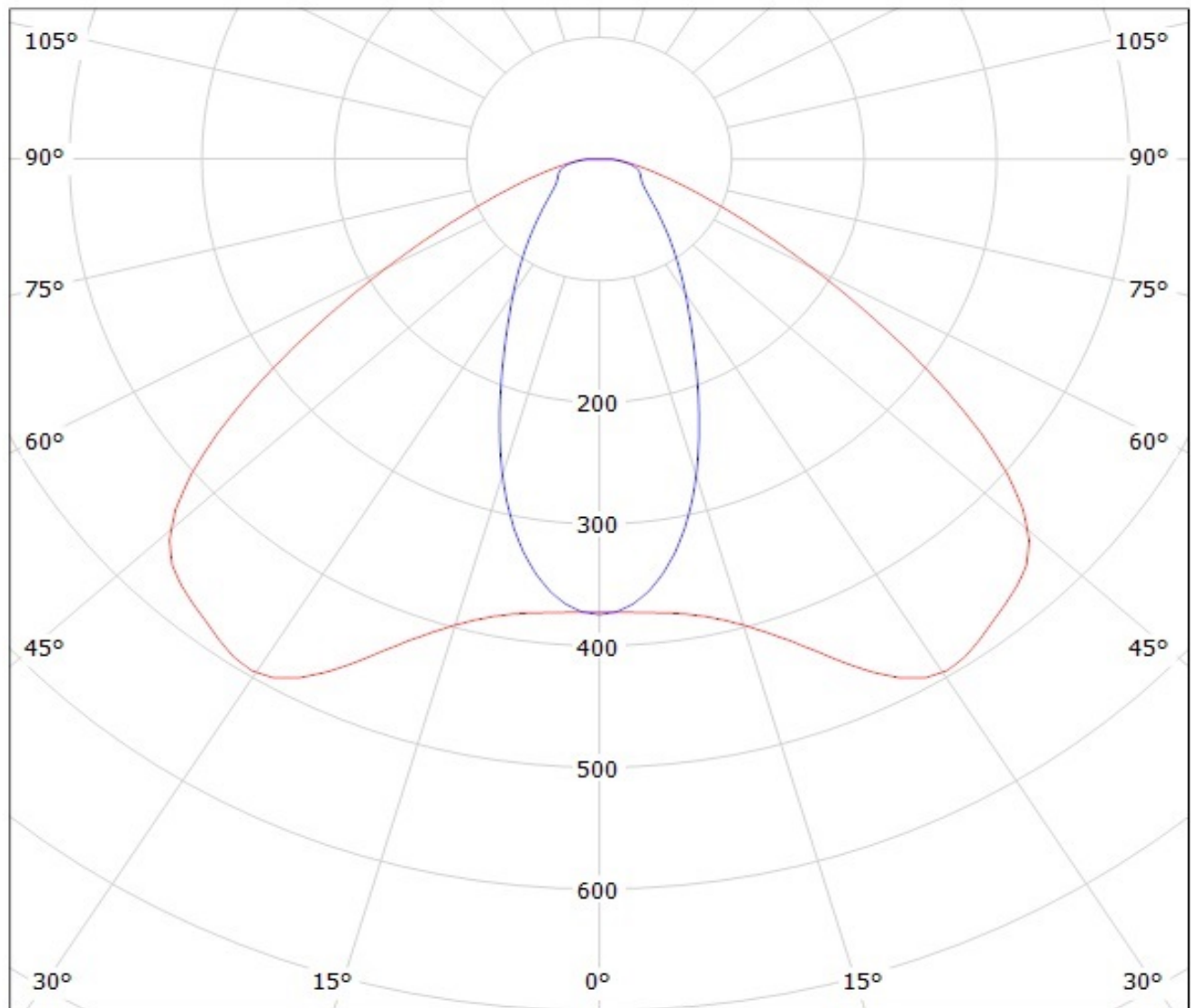
— C90 - C270

SIMULATED

Ledil Oy C10926_Strada-B-XPG C10926_Strada-B-XPG / LDC (Polar)

Luminaire: Ledil Oy C10926_Strada-B-XPG C10926_Strada-B-XPG

Lamps: 1 x Cree XP-G (White)



cd/klm

— C0 - C180

— C90 - C270

SIMULATED

NOTE: The typical divergence will be changed by different color, chip size and chip position tolerance. The typical total divergence is the full angle measured where the luminous intensity is half of the peak value.