

Data sheet

Commercial Art.No.: 96.051.4053.0

Connector RST20i5S B1 ZR1 GL

RST20i5 connector, 5 pole, female, screw connection, application 250/400V with PE, 20A, for cable diameters 6-10mm, coding color light grey, color of housing light grey



Commercial Art.No.	96.051.4053.0
EAN	4015573861817
Order Unit	1

Certificates / Approvals



LR

RINA



Technical data

General

Rated current	20 A
Rated voltage	250 V / 400 V
Rated impulse voltage	4 kV
strain relief	yes
Pollution degree	3
Lockable	self-locking (unlocking by tool)
Color of coding/ contact carrier	light grey
Marking of poles	1, 2, 3, N, PE
Color of housing inclusive strain relief	light grey

Connection Data

Cable diameter max.	10 mm
Cable diameter min.	6 mm
Connection cross section solid mm ² max.	4 mm ²
Connection cross section solid mm ² min.	0.75 mm ²
Connection cross section solid AWG min.	18 AWG
Connection cross section solid AWG max.	14 AWG
Connection cross section fine stranded mm ² max.	4 mm ²
Connection cross section fine stranded mm ² min.	0.75 mm ²
Terminations per pole	1
Connection cross section stranded mm ² min.	0.75 mm ²
Connection cross section stranded mm ² max.	4 mm ²
Connection cross section stranded AWG min.	18 AWG
Connection cross section stranded AWG max.	14 AWG
sheath strip length	26.5 mm

Wire strip length	8 mm
-------------------	------

Model

Model	female
Connection type	screw connection
Degree of protection (IP)	IP66/68 (3m;2h) /IP69

Material

Housing material	Polyamide
halogen free	yes
Contact material	CuZn
Fire load	0.29 kWh
Insulation components continuous temperature	100 °C
Surface finish	Silver-plated

Dimensions

Length	80.4 mm
Width	34.6 mm
Height	34.6 mm

Classification

ECLASS 11	
ECLASS 8.1	27440605
ETIM 7.0	EC002560
ETIM 6.0	EC002560
ETIM 5.0	EC002560
ETIM 4.0	EC002560

Note

Note	RST® terminals with screw clamping allow the connection of conductors without special preparation (without ferrules) according to EN 60999-1.
------	---

Product compliance

ROHS conformity status	Compliant/Exempted
ROHS exceptions	III-6(c)
REACH-SVHC conformity status	Duty-To-Declare
REACH-SVHC substances	Lead
REACH-SVHC CAS numbers	7439-92-1

Accessories

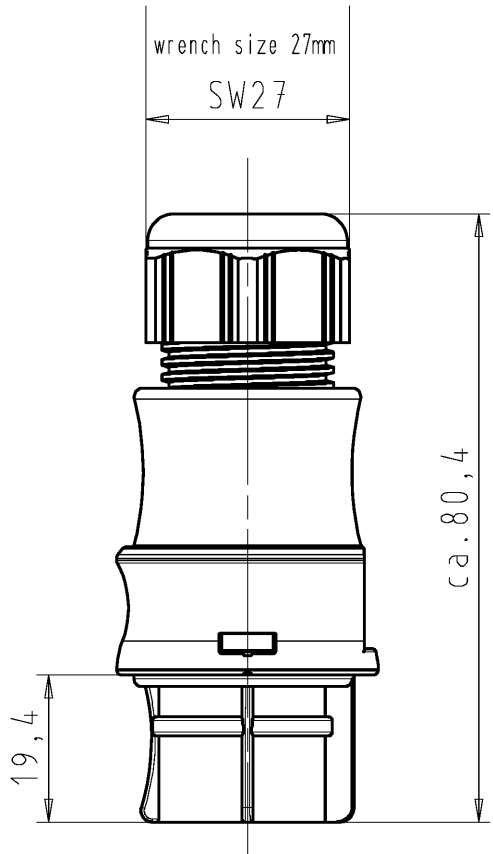
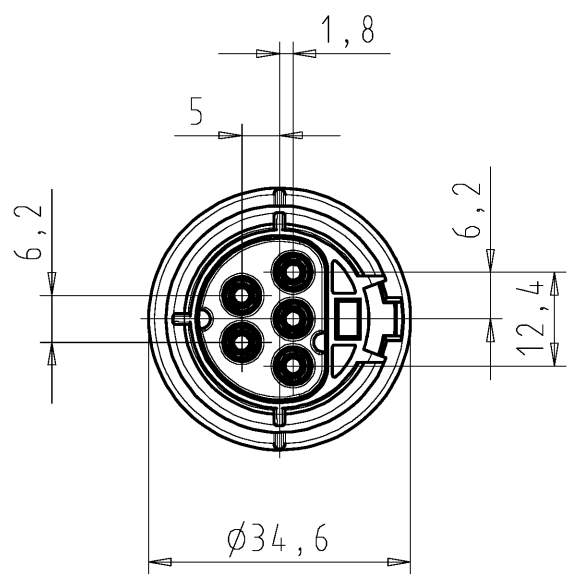
Commercial Art.No.:	Article-type description:	Description:
99.529.0000.7	Cover for female connector GL	RST20i5/4 cover piece, for covering unused female connectors, with fastening belt, color light grey
Z5.565.9853.0	Cover for female connector GL	RST20i5/4 cover piece, for covering unused female connectors, color light grey

Fits with

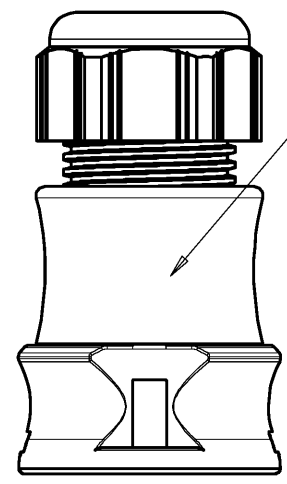
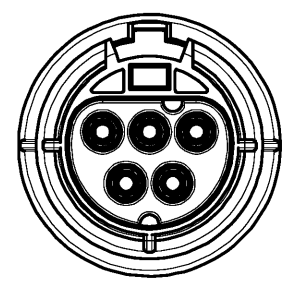
Commercial Art.No.:	Article-type description:	Description:
96.050.0153.0	Distributor RST20I5B 3P1 F G GL	RST20i5 compact distribution unit, 5 pole, application 250/400V with PE, 20A, 1 input and 3 outputs, with fastening option, coding color light grey, color of housing light grey
96.052.4053.0	Connector RST20I5S S1 ZR1 V GL	RST20i5 connector, 5 pole, male, screw connection, application 250/400V with PE, 20A, for cable diameters 6-10mm, coding color light grey, color of housing light grey
96.054.4053.0	Connector RST20I5S S1 YR1 V GL	RST20i5 connector (90° angled), 5 pole, male, screw connection, application 250/400V with PE, 20A, for cable diameters 6-10mm, coding color light grey, color of housing light grey
96.052.5053.0	Device connector RST20I5S S1 M01V GL	RST20i5 device connector M25, 5 pole, male, screw connection, application 250/400V with PE, 20A, coding color light grey
96.052.6153.0	Device connector RST20I5S S1 M03V GL	RST20i5 device connector M16, 5 pole, male, screw connection, modular, application 250/400V with PE, 20A, coding color light grey, color of housing light grey
96.052.6053.0	Device connector RST20I5S S1 M00V GL	RST20i5 device connector M20, 5 pole, male, screw connection, modular, application 250/400V with PE, 20A, coding color light grey, color of housing light grey
96.054.6053.0	Device connector RST20I5S S1 M90V GL	RST20i5 device connector (90° angled) M20, 5 pole, male, screw connection, modular, application 250/400V with PE, 20A, coding color light grey, color of housing light grey
96.054.6253.0	Device connector RST20I5S S1 M91V GL	RST20i5 device connector (90° angled) M25, 5 pole, male, screw connection, modular, application 250/400V with PE, 20A, coding color light grey, color of housing light grey
96.056.6153.0	Device connector RST20I5S S1 M13V GL	RST20i5 device connector (7° angled) M16, 5 pole, male, screw connection, modular, application 250/400V with PE, 20A, coding color light grey, color of housing light grey

These dimensions will be especially checked at delivery
 Only inspection dimensions
 With /E marked dimensions are only valid for internal use

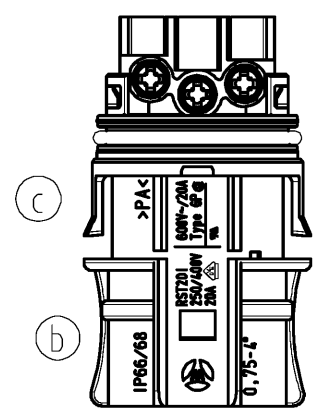
Diese Maße werden bei Abnahme besonders geprüft
 Ausschließlich Prüfmaße
 Mit /E gekennzeichnete Maße sind nur für interne Zwecke gültig



Auslieferungszustand
delivery status

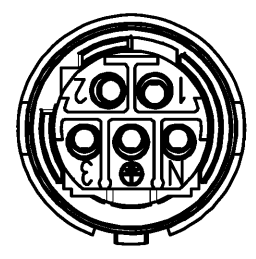


for cable diameter 6-10mm
 für Kabeldurchm. 6-10mm

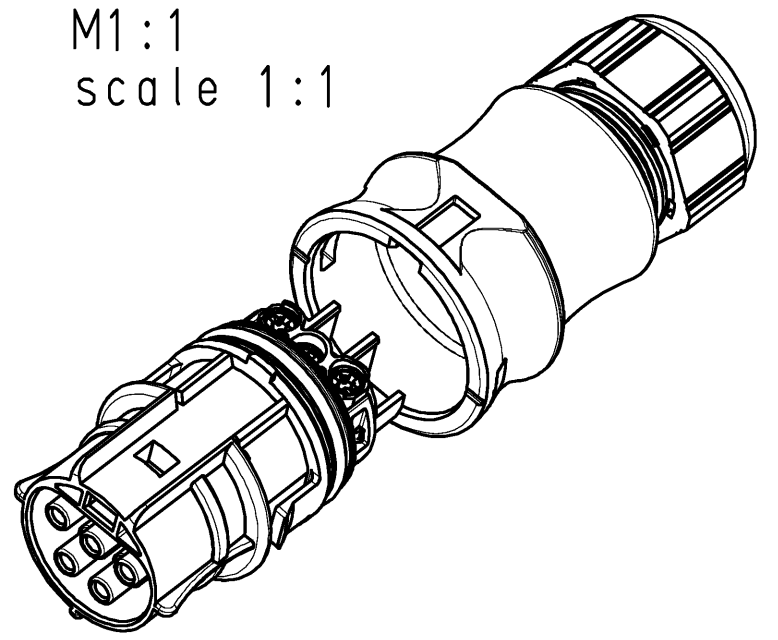


Verpackungseinheit: je 100 Stück
 packaging unit: per 100

A-A



M1:1
 scale 1:1



Weitergabe sowie Vervielfältigung dieses Dokuments, Verwertung und Mitteilung seines Inhalts sind verboten, soweit nicht ausdrücklich gestattet. Die Reproduktion, Distribution und Nutzung dieses Dokuments sowie die Kommunikation der Inhalte mit Dritten ohne schriftliche Genehmigung ist untersagt.

Tolerierung Size ISO 14405 (E) / Tolerance system Size ISO 14405 (E). (This ISO-standard describes the envelope principle. According to the envelope principle the deviations of form and parallelism are limited by the size tolerances).		nein/no <input checked="" type="checkbox"/> Stoffverbots- und Deklarationsliste nach WN 5020.010 ist einzuhalten. Conformity with Wieland document WN 5020.010 e (list of prohibited / declarable hazardous substances) to be declared!	
Freitoleranz nach General tolerance		CAD - Zeichnung, keine manuellen Änderungen CAD - drawing, no manual modifications allowed	1. Verwendung: - First Use:
Blatt: 1 von 1 Sheet: of		Zeichnung Nr./Drawing No. Index	
T 96.051.4053.0 01K c		Maße in mm/Dimensions are in mm	
Ersatz für/Replacement for: -		Type Benennung/Title	
a 02.12.2005/ Datum / Blatt Date / Sheet		BUCHSENTEIL MIT ZUGENTLASUNG female connector with cord grip Schraubanschluß ohne Drahtschutz/screw-connection without wire protection Standardkodierung 0/standard-keying 0 (250V/400V/20A)	
www.wieland-electric.com		siehe Tabelle	

Teile-Nr./ part-nr.	Farbe:/ color:	Type
96.051.4053.1	schwarz, ähnl. RAL 9005/ black, similar to RAL 9005	RST2015S B1 ZR1 V SW
96.051.4053.0	lichtgrau, ähnl. RAL 7035/ lightgrey, similar to RAL 7035	RST2015S B1 ZR1 V GL