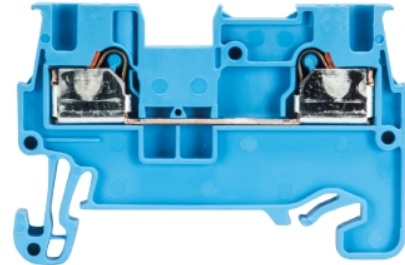


Data sheet

Commercial Art.No.: 56.202.0055.6

Feed-through terminal WTP 1,5 BL

Feed-through terminal with push in connection for mounting on TS 35, nominal cross section: 1,5 mm², width: 3,5 mm, color: blue



Commercial Art.No.	56.202.0055.6
EAN	4049088359392
Order Unit	100

Technical data

General

Nominal cross section	1.5 mm ²
Color	Blue
Number of clamp positions per level	2
Width/grid dimension	3.5 mm
Insulating housing	PA666
Inflammability class of insulation material acc. with UL94	V0

Technical data

Rated current	17.5 A
Rated voltage	500 V
Rated impulse voltage	6 kV
Pollution degree	3
Type of insulation material	Thermoplastic
Length	46.8 mm
Width	3.5 mm
Height	31.2 mm

Connection Data

Connection type	Plug-in connection
Connection type 1	Plug-in connection
Minimum cross section solid	0.14 mm ²
Maximum cross section solid	2.5 mm ²
Minimum cross section fine stranded	0.14 mm ²
Maximum cross section fine stranded	0.25 mm ²
Wire strip length	8 mm

Classification

ECLASS 11	
-----------	--

ECLASS 8.1	27141120
ETIM 7.0	EC000897
ETIM 6.0	EC000897
ETIM 5.0	EC000897
ETIM 4.0	EC000897
ETIM 3.0	EC000897

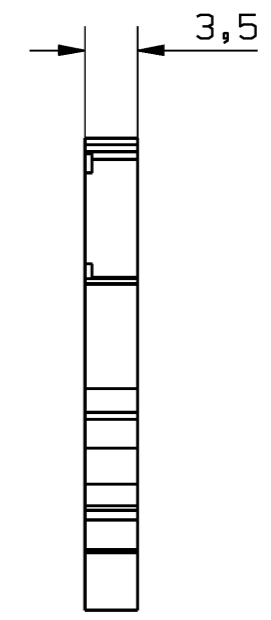
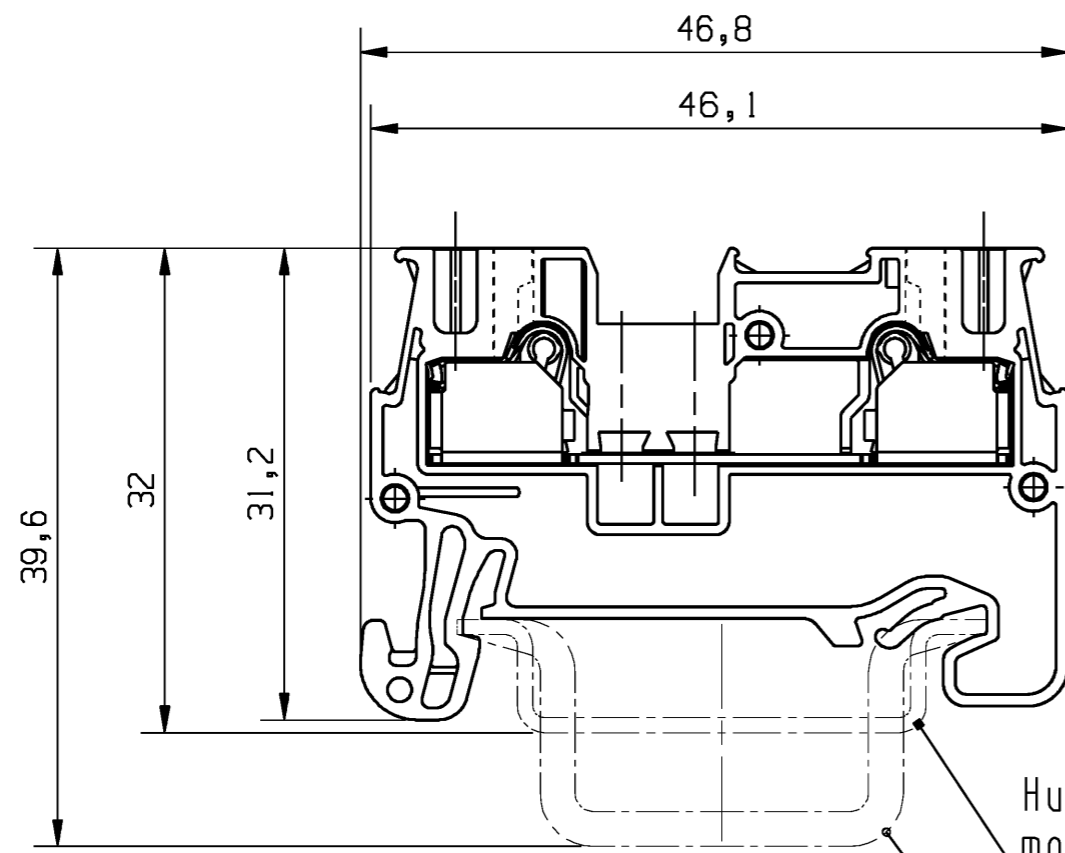
Product compliance

REACH-SVHC conformity status	Compliant
------------------------------	-----------

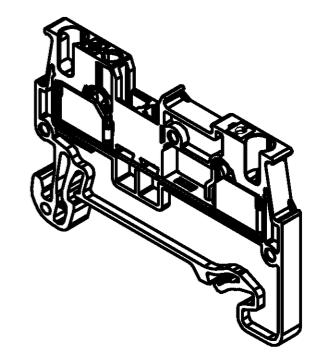
Accessories

Commercial Art.No.:	Article-type description:	Description:
07.313.4455.0	End plate AP WTP 1,5	End plate for DIN rail terminal blocks type WTP 1,5..., color: grey
07.313.4955.0	Partition TW WTP 1,5	Partition for DIN rail terminal blocks type WTP 1,5..., color: grey
Z7.284.7027.0	Jumper bar IVB WTP 1,5- 2	Cross connector, insulated for DIN rail terminal blocks type WTP 1,5, 2-pole
Z7.284.7227.0	Jumper bar IVB WTP 1,5- 4	Cross connector, insulated for DIN rail terminal blocks type WTP 1,5, 4-pole
Z7.284.7327.0	Jumper bar IVB WTP 1,5- 5	Cross connector, insulated for DIN rail terminal blocks type WTP 1,5, 5-pole
Z7.284.7427.0	Jumper bar IVB WTP 1,5- 10	Cross connector, insulated for DIN rail terminal blocks type WTP 1,5, 10-pole
04.344.2655.0	Warning cover AD WTP 1,5	Cover with warning symbol for DIN rail terminal blocks type WTP 1,5..., color: yellow
Z7.284.7127.0	Jumper bar IVB WTP 1,5- 3	Cross connector, insulated for DIN rail terminal blocks type WTP 1,5, 3-pole
98.300.0000.0	Mounting rail TS 35x7,5 UNPERF - l:2000mm	Mounting rail TS 35, unslotted, size 7,5 mm, length 2 m, material steel. galv. zinc-plated and dichromated
98.300.1000.0	Mounting rail TS 35x7,5 PERF 15mm - l:2000mm	Mounting rail TS 35, slotted, size 7,5 mm, length 2 m, material steel. galv. zinc-plated and dichromated
98.300.1800.0	Mounting rail TS 35x7,5 PERF 18mm - l:2000mm	Mounting rail TS 35, slotted, size 7,5 mm, length 2 m, material steel. galv. zinc-plated and dichromated
98.300.1900.0	Mounting rail TS 35x7,5 PERF 25mm - l:2000mm	Mounting rail TS 35, slotted, size 7,5 mm, length 2 m, material steel. galv. zinc-plated and dichromated
98.360.0000.0	Mounting rail TS 35x15-2,3 UNPERF - l:2000mm	Mounting rail TS 35, unslotted, size 15 mm, length 2 m, material steel. galv. zinc-plated and dichromated
98.360.0004.0	Mounting rail TS 35x15-2,3 UNPERF FZN - l:2000mm	Mounting rail TS 35, unslotted, size 15 mm, length 2 m, material steel, hot galvanized
98.370.0000.0	Mounting rail TS 35x15 UNPERF - l:2000mm	Mounting rail TS 35, unslotted, size 15 mm, length 2 m, material steel. galv. zinc-plated and dichromated
98.370.1000.0	Mounting rail TS 35x15 PERF 15mm - l:2000mm	Mounting rail TS 35, slotted, size 15 mm, length 2 m, material steel. galv. zinc-plated and dichromated
98.380.0000.0	Mounting rail TS 35x15-2,3 UNPERF CU - l:2000mm	Mounting rail TS 35, unslotted, size 15 mm, length 2 m, material E copper
04.403.0056.0	Marking tags for DIN rail terminal blocks WMP 3,5 SI2KTB3590DW	Plate with marking tags for DIN rail terminal blocks with a width of 3.5mm, 75 tags per plate, tag size: 3x9.1mm, color: white, unmarked, markable with Wieprint printing-system

A These dimensions will be especially checked at delivery
 B Only inspection dimensions
 C With JE marked dimensions are only valid for internal use
 D Diese Maße werden bei Abnahme besonders geprüft
 E Ausschließlich Prüfmaße
 F Mit JE gekennzeichnete Maße sind nur für interne Zwecke gültig



1:1



Weitergabe sowie Vervielfältigung dieses Dokuments, Verwertung und Mitteilung seines Inhalts sind verboten, soweit nicht ausdrücklich gestattet. Die Reproduktion, Distribution und Utilization of this document as well as the communication of its contents to others without express authorization is prohibited.

Teilenummer / part number	Farbe / color	Type
56.202.0055.0	kieselgrau / pebble grey	WTP 1,5
56.202.0055.1	schwarz / black	WTP 1,5 black
56.202.0055.2	weiß / white	WTP 1,5 white
56.202.0055.4	oxidrot / oxide red	WTP 1,5 oxide red
56.202.0055.5	tomatenrot / tomato red	WTP 1,5 red
56.202.0055.6	lichtblau / light blue	WTP 1,5 blue
56.202.0055.7	grün / green	WTP 1,5 green
56.202.0055.8	gelb / yellow	WTP 1,5 yellow
56.202.0055.9	orange / orange	WTP 1,5 orange

Weitere Daten siehe KATALOG oder eKatalog
 additional data see CATALOG or eCATALOG

www.wieland-electric.com
 eshop.wieland-electric.com

Tolerierung Size ISO 14405 © / Tolerance system Size ISO 14405 ©.
 (This ISO-standard describes the envelope principle. According to the envelope principle the deviations of form and parallelism are limited by the size tolerances).

ja/yes Stoffverbots- und Deklarationsliste nach WN 5020.010 ist einzuhalten.
 Conformity with Wieland document WN 5020.010 e (list of prohibited / declarable hazardous substances) to be declared!

Freitoleranz nach General tolerance CAD - Zeichnung, keine manuellen Änderungen CAD - drawing, no manual modifications allowed 1 Verwendung: First Use: Blatt: 1 von 1 Sheet: of 1

Werkstoff / Material	Tag/Date	Name	Zeichnung Nr. / Drawing No.	Index
gezeichnet / drawn	20.01.2017	Hennemann V.		
Maßstab / Scale	geprüft / checked	T 56.202.0055.0 01K		
2:1	Normgepr. / Stand. check	Maße in mm / Dimensions are in mm		
Vol. mm³ / Dfl./Srf. mm²	Ersatz für / Replacement for:			
Index Datum / Blatt Date / Sheet	Type	Benennung/Title		
Änderung / Revision	www.wieland-electric.com	see table	DURCHGANGSKLEMME push in terminal	