

Data sheet

Commercial Art.No.: 02.125.4429.7

Female contact 1,5QMM



| | |
|--------------------|---------------|
| Commercial Art.No. | 02.125.4429.7 |
| EAN | 4015573661738 |
| Order Unit | 100 |

Technical data

General

| | |
|--|---------------------|
| Wire strip length | 8 mm |
| Min. conductor cross section flexible wire | 1.5 mm ² |
| Max. conductor cross section flexible wire | 1.5 mm ² |
| Min. UL/CSA wire diameter flexible wire | 16 AWG |
| Max. UL/CSA wire diameter flexible wire | 16 AWG |
| Connection type | Crimp |
| Material | Brass |
| Massive contact | yes |
| Contact pin diameter | 1.6 mm |
| Inflammability class of insulation material acc. with UL94 | Other |
| Contact resistance | ≤ 5 mOhm |

Classification

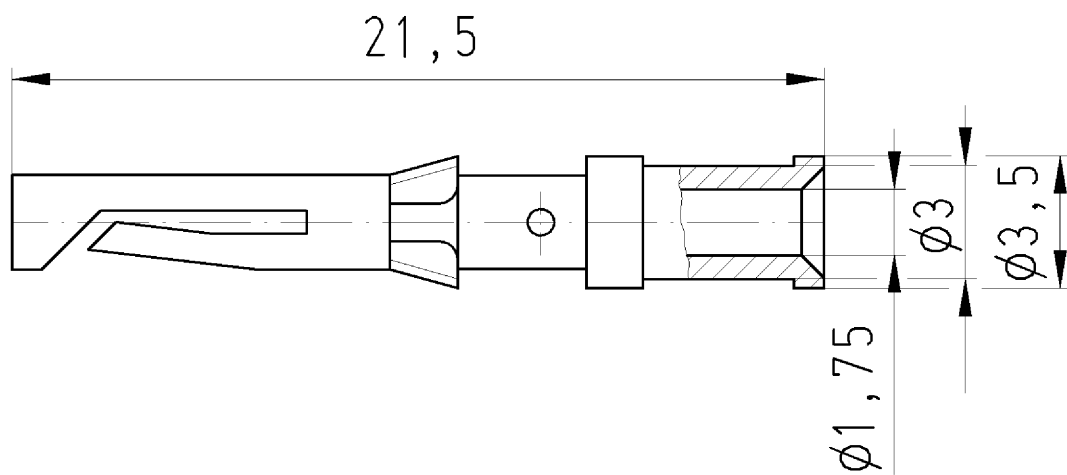
| | |
|------------|----------|
| ECLASS 11 | |
| ECLASS 8.1 | 27440204 |
| ETIM 7.0 | EC000796 |
| ETIM 6.0 | EC000796 |
| ETIM 5.0 | EC000796 |
| ETIM 4.0 | EC000796 |

Product compliance

| | |
|------------------------------|--------------------|
| ROHS conformity status | Compliant/Exempted |
| ROHS exceptions | III-6(c) |
| REACH-SVHC conformity status | Duty-To-Declare |
| REACH-SVHC substances | Lead |
| REACH-SVHC CAS numbers | 7439-92-1 |

Accessories

| Commercial Art.No.: | Article-type description: | Description: |
|---------------------|-----------------------------|--|
| 05.502.2100.0 | Crimping die B | Crimp dies for revos crimping tool, usable for crimp-contacts with a cross section of 0.14-1.0 mm ² , 1.5 mm ² , 2.5 mm ² and 4.0 mm ² |
| 05.502.3100.0 | Contact positioner 1 | Contact positioner for crimp-contacts with a diameter of 1.6 mm, 2.5 mm and 3.6 mm |
| 95.101.0800.0 | Basic crimping tool . | Crimping tool kit |
| 05.502.0710.0 | Extraction tool MOD. 10POL. | Extraction tool for 10 pole revos FLEX module |



Buchsenkontakt
02.125.4429.8

Zeichnungsnummer
02.125.4429.8.010W
Buchsenkontakt

26.08.2008
Hoffmann Angelika
M 5:1