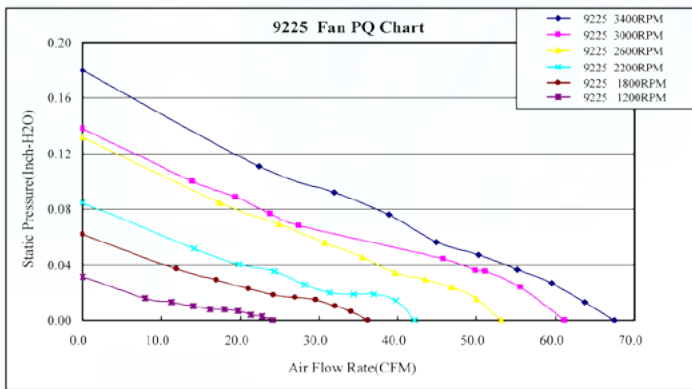


EVERCOOL

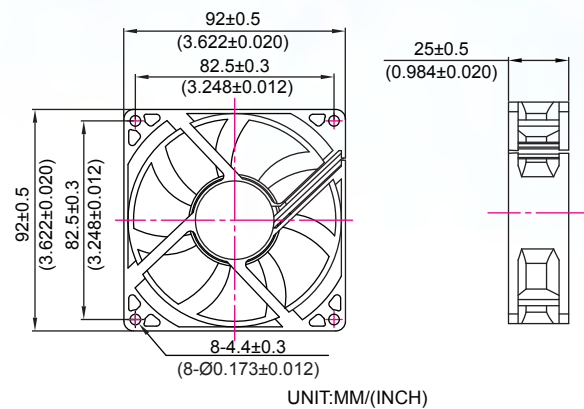
9225ii series 92x92x25 mm



P&Q Curve



Dimensions Drawing



Specifications

Model	Rated Voltage (VDC)	Rated Current (AMP)	Power Consumption (WATTS)	Speed Reference (RPM)	Air Flow (CFM)	Satic Pressure (Inch-H ₂ O)	Noise (dBA)
EC9225HH12X	12	0.3	3.6	3000	61.11	0.14	<28.1
EC9225H12X	12	0.24	2.88	2600	53.1	0.13	<25
EC9225M12X	12	0.2	2.4	2200	42.1	0.09	<21.4
EC9225L12X	12	0.16	1.92	1800	36.23	0.06	<17
EC9225LL12X	12	0.12	1.44	1200	24.15	0.03	<8.7
EC9225TH24X	24	0.28	6.72	3400	67.47	0.18	<30.8
EC9225HH24X	24	0.23	5.52	3000	61.11	0.14	<28.1
EC9225H24X	24	0.18	4.32	2600	53.1	0.13	<25
EC9225M24X	24	0.13	3.12	2200	42.1	0.09	<21.4
EC9225L24X	24	0.08	1.92	1800	36.23	0.06	<17

- ▶ Material:impeller & Frame:Plastic(UL 94V-0)
- ▶ Lead Wires:
UL 1007 AWG #24 Or Equivalent
Red Wire Positive(+), Black Wire Negative(-), Yellow Wire Or Blue Wire Signal(FG)
- ▶ Function type is optional.

- ▶ The max air flow and the speed are measured in free air; max air pressure is measured at zero air flow.
- ▶ Noise is measured in anechoic chamber in free air, one meter from intake side.
- ▶ All readings are typical values at rated voltage.
- ▶ Specifications are subject to change without notice.
- ▶ Additional special function may be added according the requirement of customer.