

DETAILS

Product Number	C11917_SATU-O
Family	Satu
Type	Lens array
Color	clear
Diameter	21,8 mm
Height	8,9 mm
Style	round
Optic Material	PMMA
Holder Material	
Fastening	glue, pin
Status	production ready
ROHS Compliant	Yes
Date Updated	27/01/2015

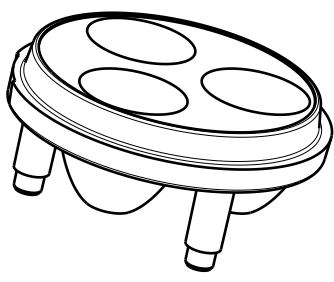


OPTICAL PROPERTIES

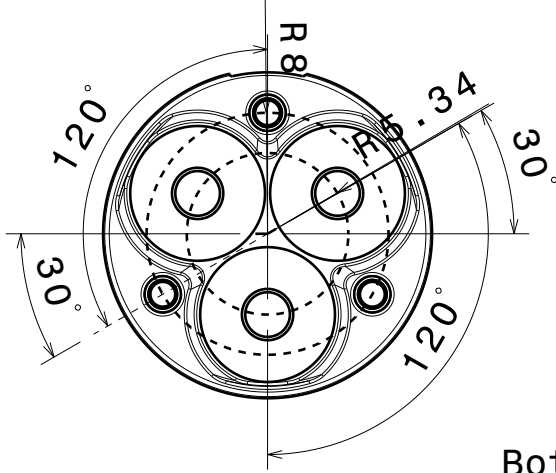
LED	Viewing	Light	Efficiency	cd/lm	Connector
	Angle	Beam			
LUXEON Rebel	19+44 deg	Oval	87 %	2.500	-
LUXEON Rebel ES	26+42 deg	Oval	85 %	2.000	-
LUXEON A	25+42 deg	Oval	82 %	1.900	-
NCSxx19A	sim: 20+44	Oval	-	-	-
Oslon SSL 150	18+42 deg	Oval	85 %	2.800	-

D C B A

4

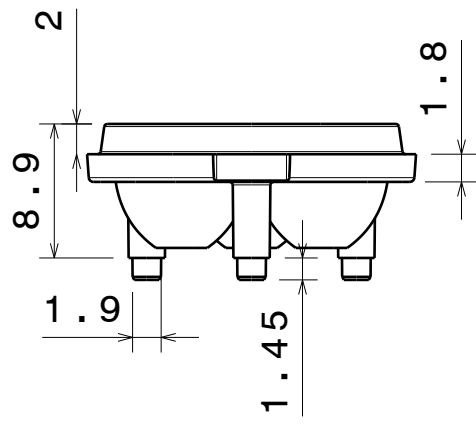


Isometric view



Bottom view

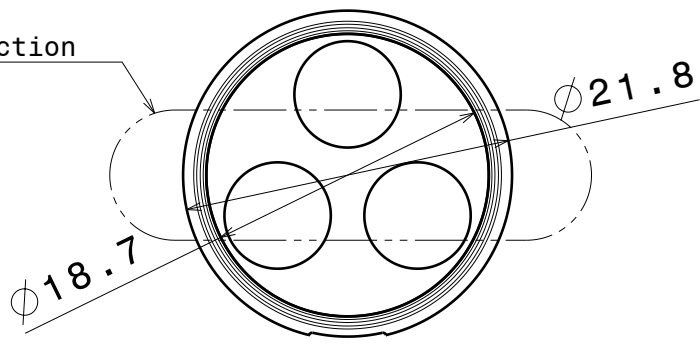
3



Front view

2

Oval beam direction



Top view

Material: PMMA

This drawing is our property. It can't be reproduced or communicated without our written agreement.



DRAWING TITLE

Datasheet Satu Lens

DRAWN BY o	DATE 31.05.2010
---------------	--------------------

CHECKED BY p	DATE 31.05.2010
-----------------	--------------------

SIZE A4	DRAWING NUMBER	REV 1
------------	----------------	----------

DESIGNED BY hh/ol	DATE 31.05.2010
----------------------	--------------------

SCALE 2:1	WEIGHT (g)	SHEET 1/1
--------------	------------	--------------

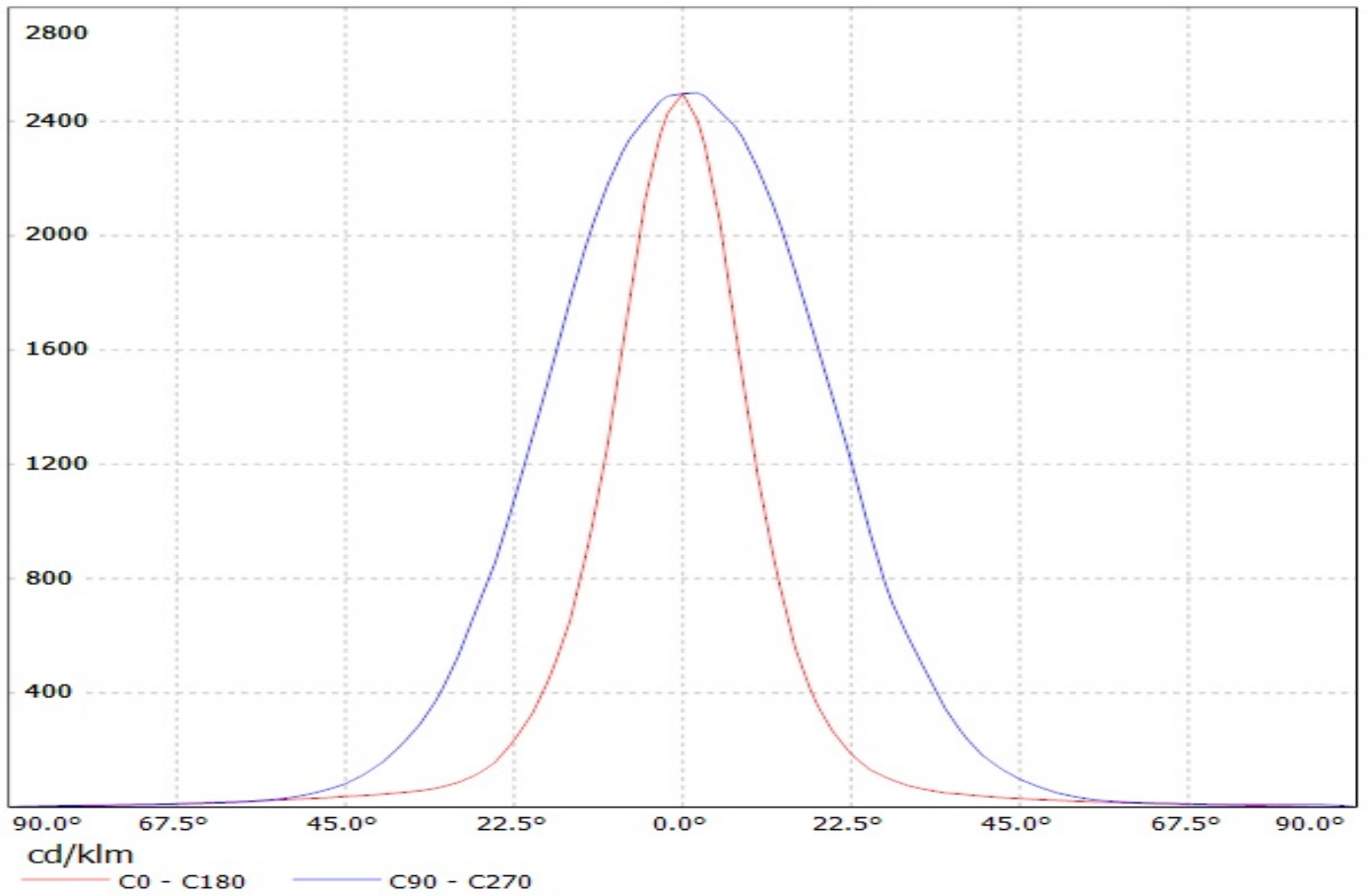
1

1

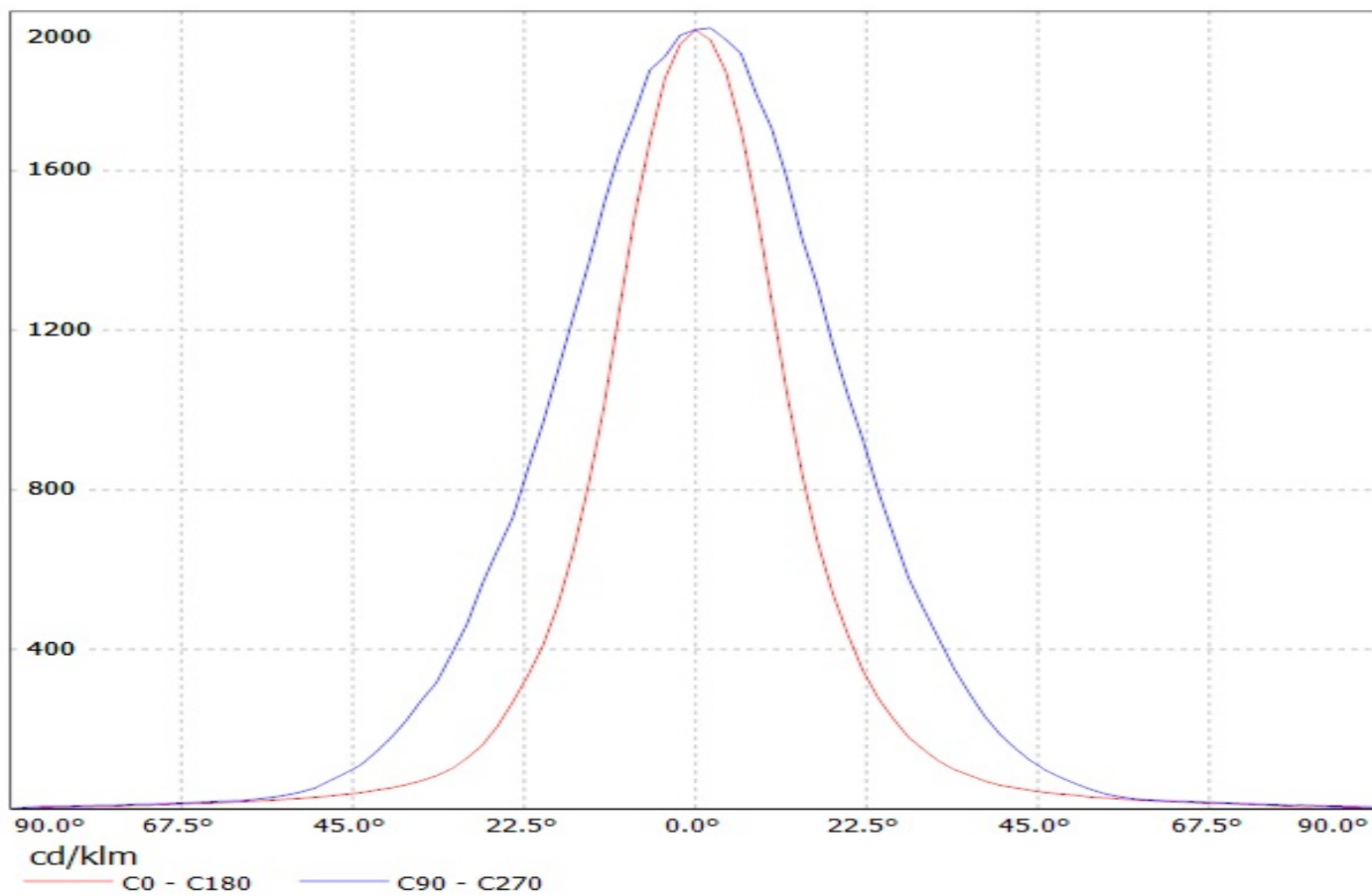
D

A

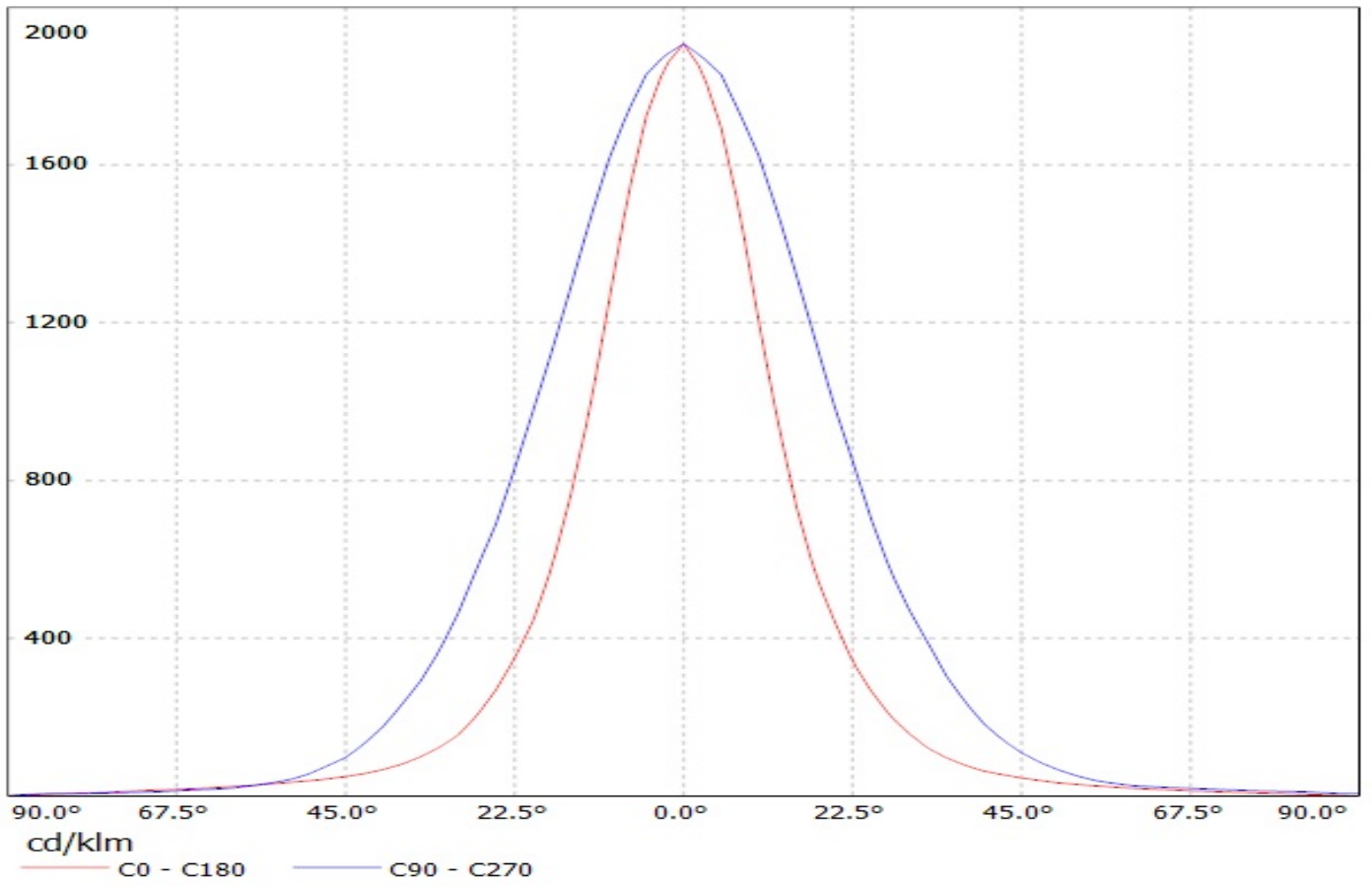
Luminaire: Ledil Oy C11917_SATU-O (Luxeon Rebel 147lm @ 250mA) Efficiency=87%
Lamps: 1 x Luxeon Rebel 147lm @ 250mA



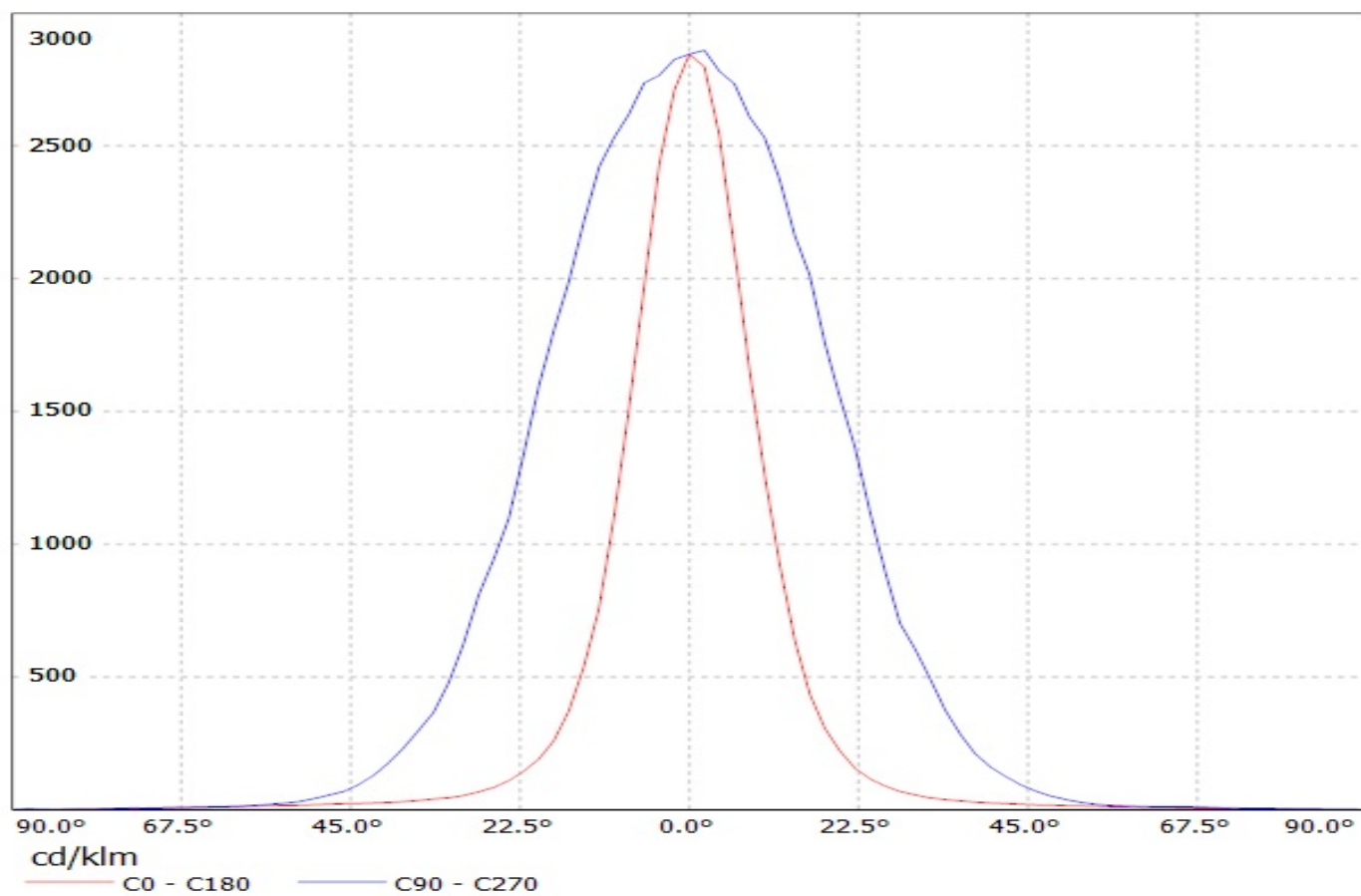
Luminaire: Ledil Oy C11917_SATU-O (Luxeon Rebel-ES 251lm @ 250mA) Efficiency=85%
Lamps: 1 x Luxeon Rebel-ES 251lm @ 250mA



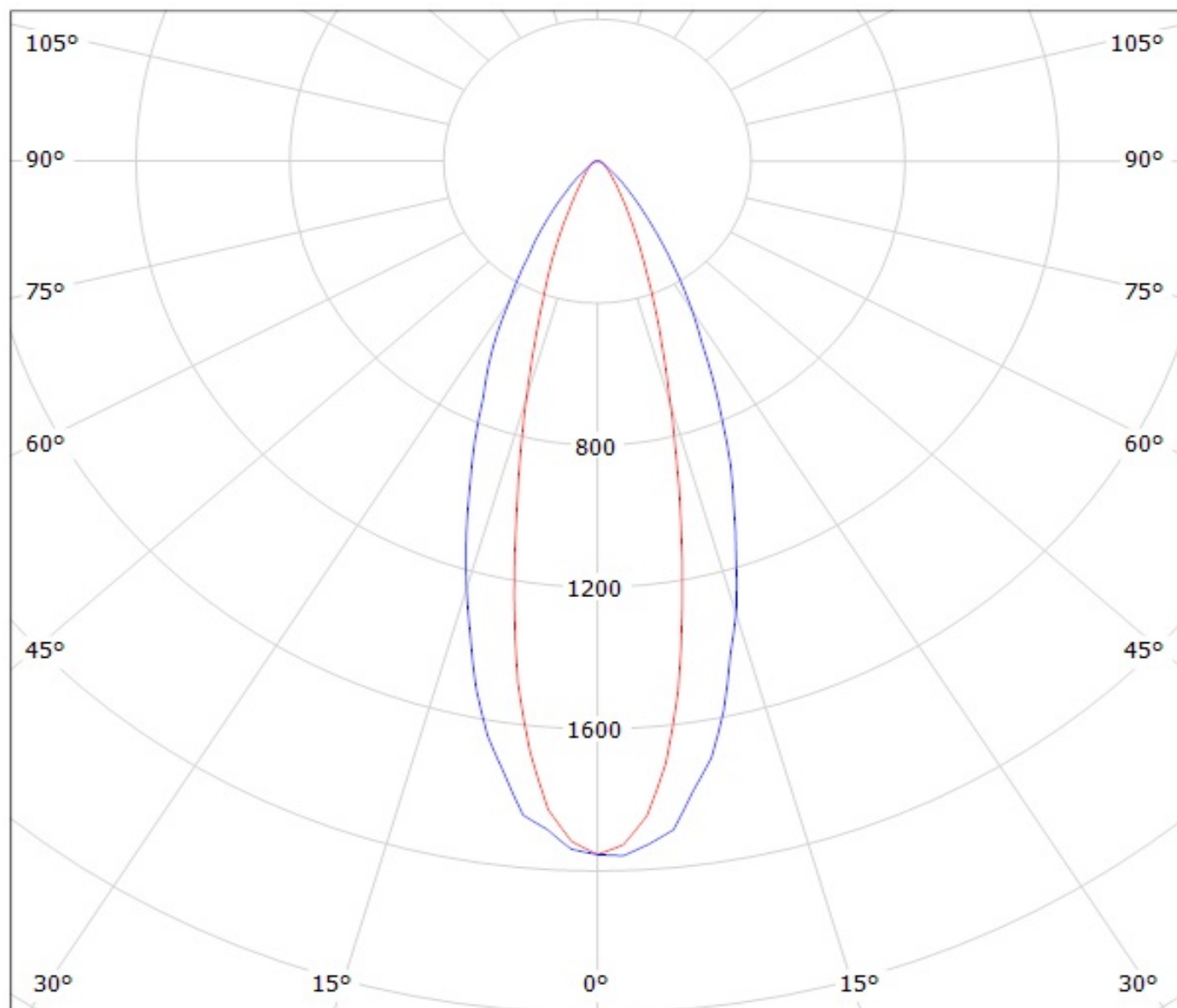
Luminaire: Ledil Oy C11917_SATU-O (Luxeon A 212lm @ 250mA) Efficiency=82%
Lamps: 1 x Luxeon A 212lm @ 250mA



Luminaire: Ledil Oy C11917_SATU-O (Osram Oslon 150dg 320lm @ 250mA) Efficiency=85%
Lamps: 1 x Osram Oslon 150dg 320lm @ 250mA



Luminaire: Ledil Oy C11917_SATU-O (Luxeon Rebel-ES 251lm @ 250mA) Efficiency=85%
Lamps: 1 x Luxeon Rebel-ES 251lm @ 250mA

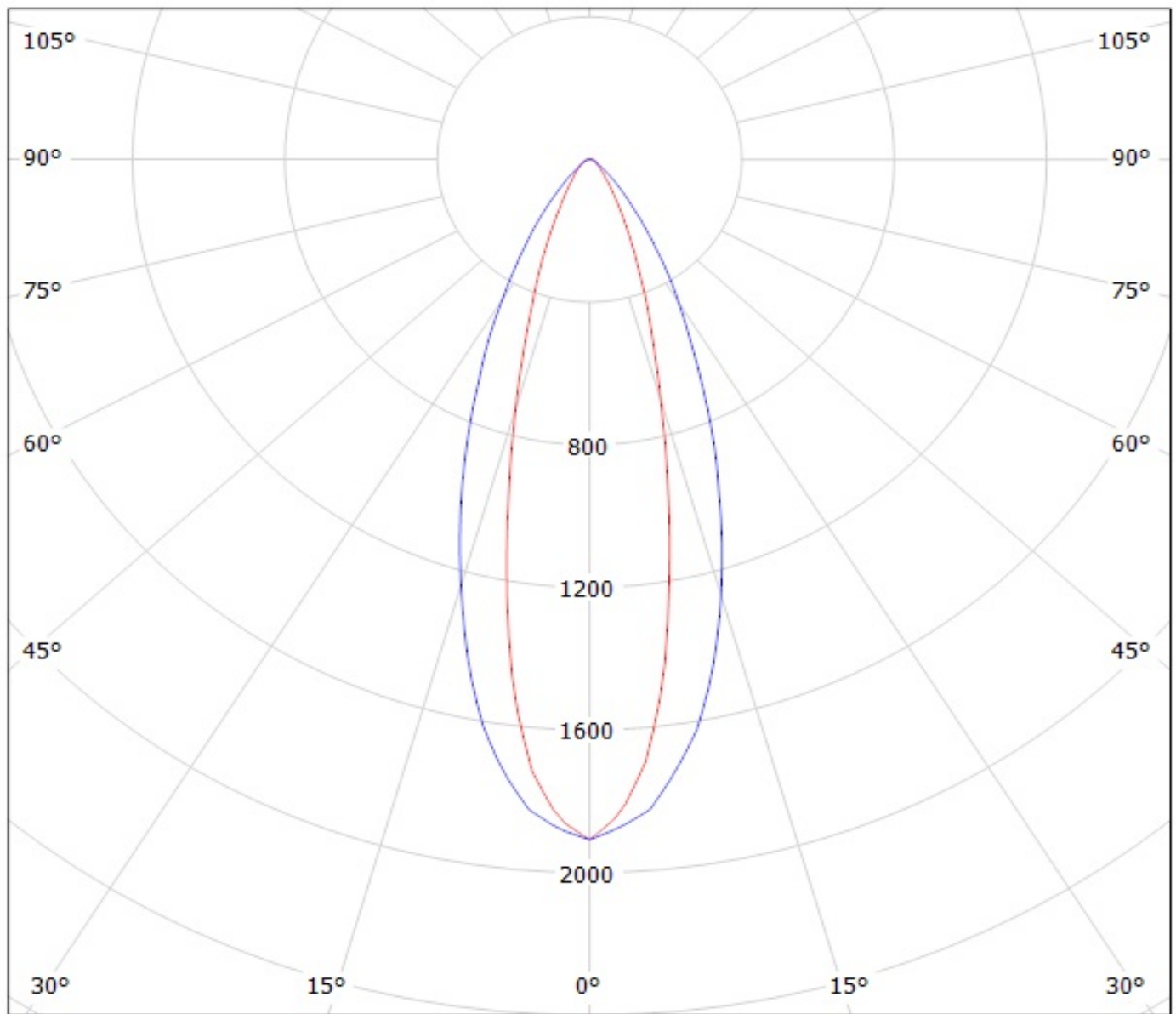


cd/klm

— C0 - C180

— C90 - C270

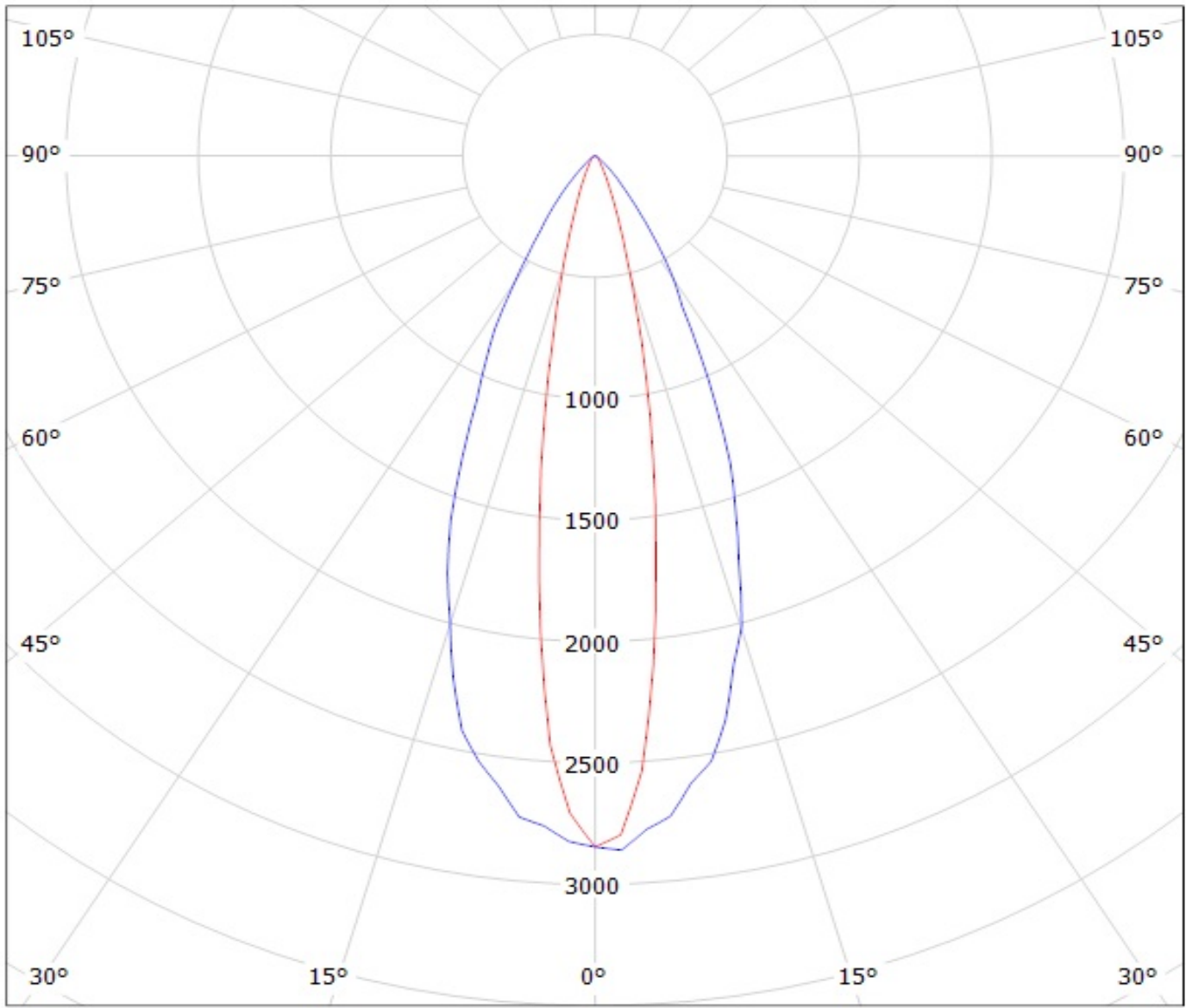
Luminaire: Ledil Oy C11917_SATU-O (Luxeon A 212lm @ 250mA) Efficiency=82%
Lamps: 1 x Luxeon A 212lm @ 250mA



cd/klm

— C0 - C180 — C90 - C270

Luminaire: Ledil Oy C11917_SATU-O (Osram Oslon 150dg 320lm @ 250mA) Efficiency=85%
Lamps: 1 x Osram Oslon 150dg 320lm @ 250mA



cd/klm
— C0 - C180 — C90 - C270

NOTE: The typical divergence will be changed by different color, chip size and chip position tolerance. The typical total divergence is the full angle measured where the luminous intensity is half of the peak value.