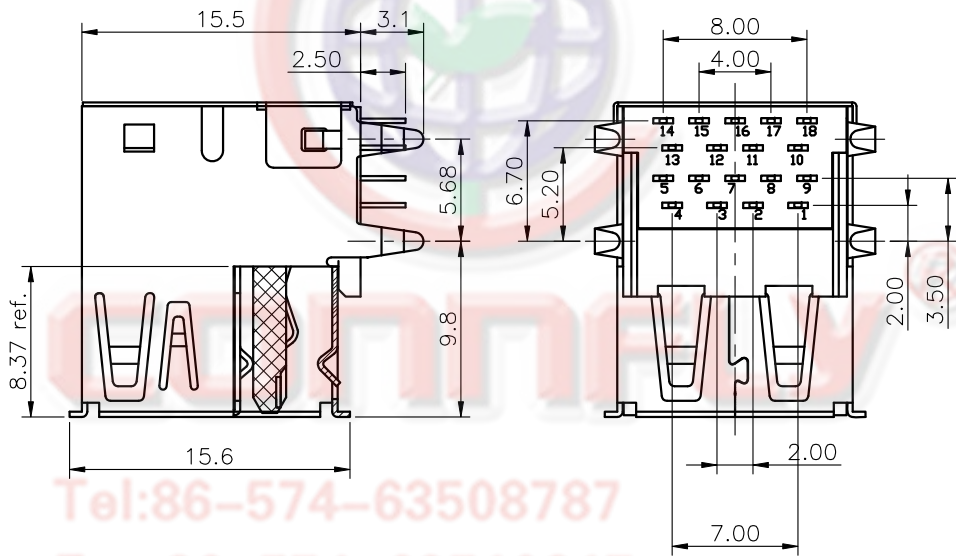
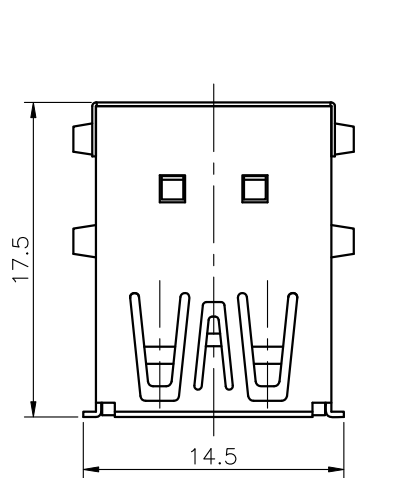


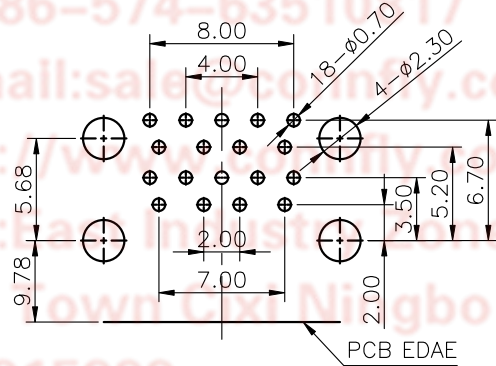
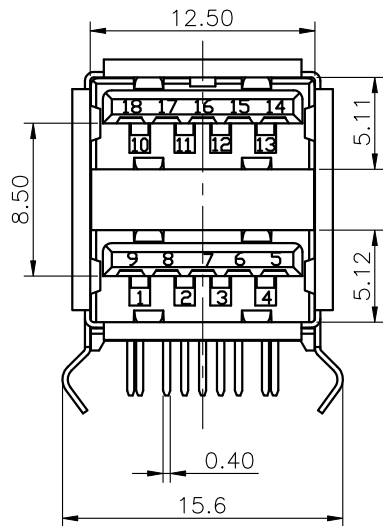
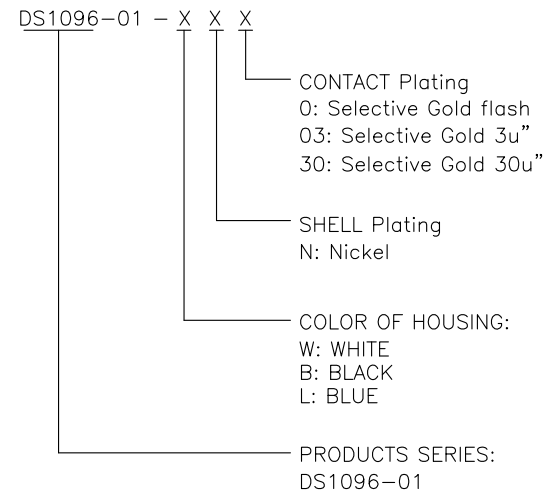
REV.	DESCRIPTION	DRAWN	CHECKED	APPROVED
A	NEW RELEASE	YCH 03/16/12'	~	LJC 03/16/12'
B	DRAWING UPDATE	JLZ 03/23/17'	~	



NOTES:

- SPECIFICATIONS:
  - 1.0 CONTACT RESISTANCE: 30mΩ max.
  - 1.1 INSULATOR RESISTANCE: 1000MΩ min. AT DC 500V.
  - 1.2 CURRENT RATING: 1.5A.
  - 1.3 VOLTAGE RATING: 30VDC.
  - 1.4 DIELECTRIC STRENGTH: AC 500V FOR 1 Minute.
- MATERIALS:
  - 2.0 HOUSING: THERMOPLASTIC (UL 94 V-0).
  - 2.1 CONTACT: COPPER ALLOY
  - 2.2 SHELL: COPPER ALLOY
- ENVIRONMENT CHARACTERISTICS:
  - 3.1 TEMPERATURE: -20°C ~ +85°C.

4. PRODUCT NUMBER CODE:




RECOMMEND PCB LAYOUT  
TOLERANCE = ±0.05

GENERAL TOLERANCE	ANGLE TOLERANCE
X. ±0.60	X. ±5°
.X ±0.38	.X ±3°
.XX ±0.25	.XX ±2°

PROJECTION	TITLE	USB 3.0 STACK 18 PIN FEMALE RIGHT ANGLE TYPE	
UNITS	mm	SHEET	1 OF 1
SHEET SIZE	A4	SERIES	DS1096-01 SERIES

DRAWING TYPE	CUSTOMER		
SCALE	1:1	SHEET	1 OF 1
DRAWING NO.	C-DS1096-01-XXX-B		

 晨翔电子有限公司  
**CONNFLY CONNFLY ELECTRONIC CO. LTD**