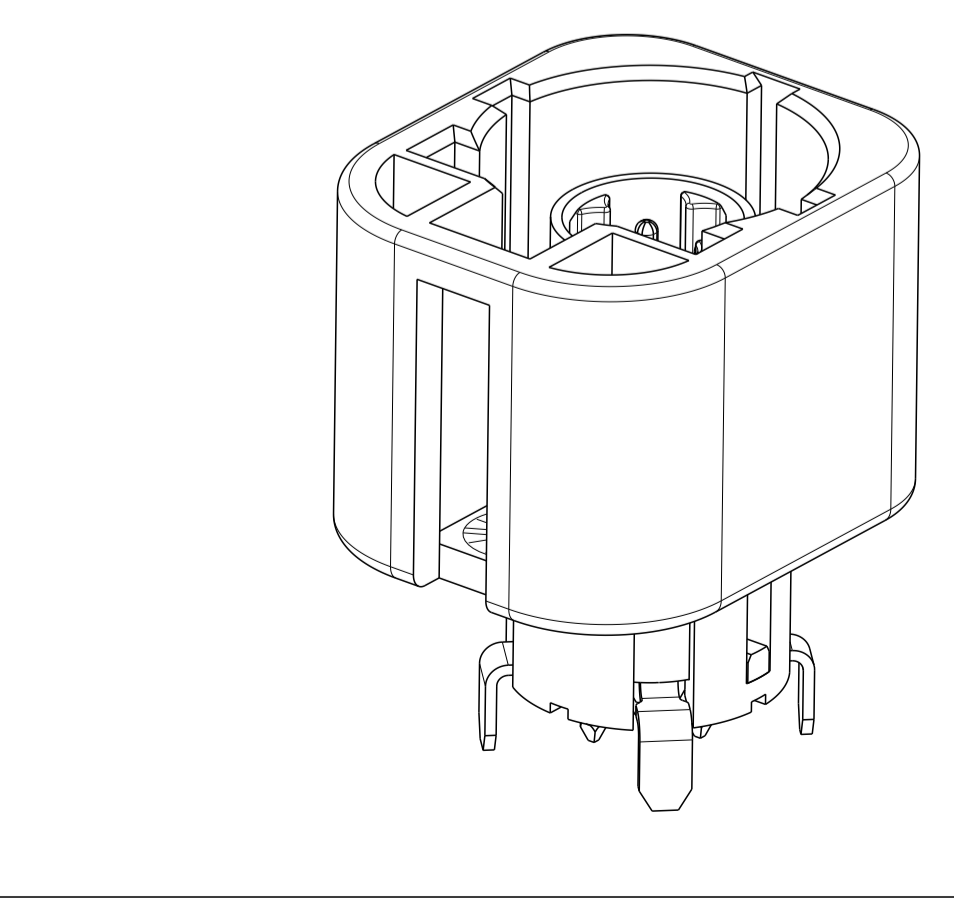
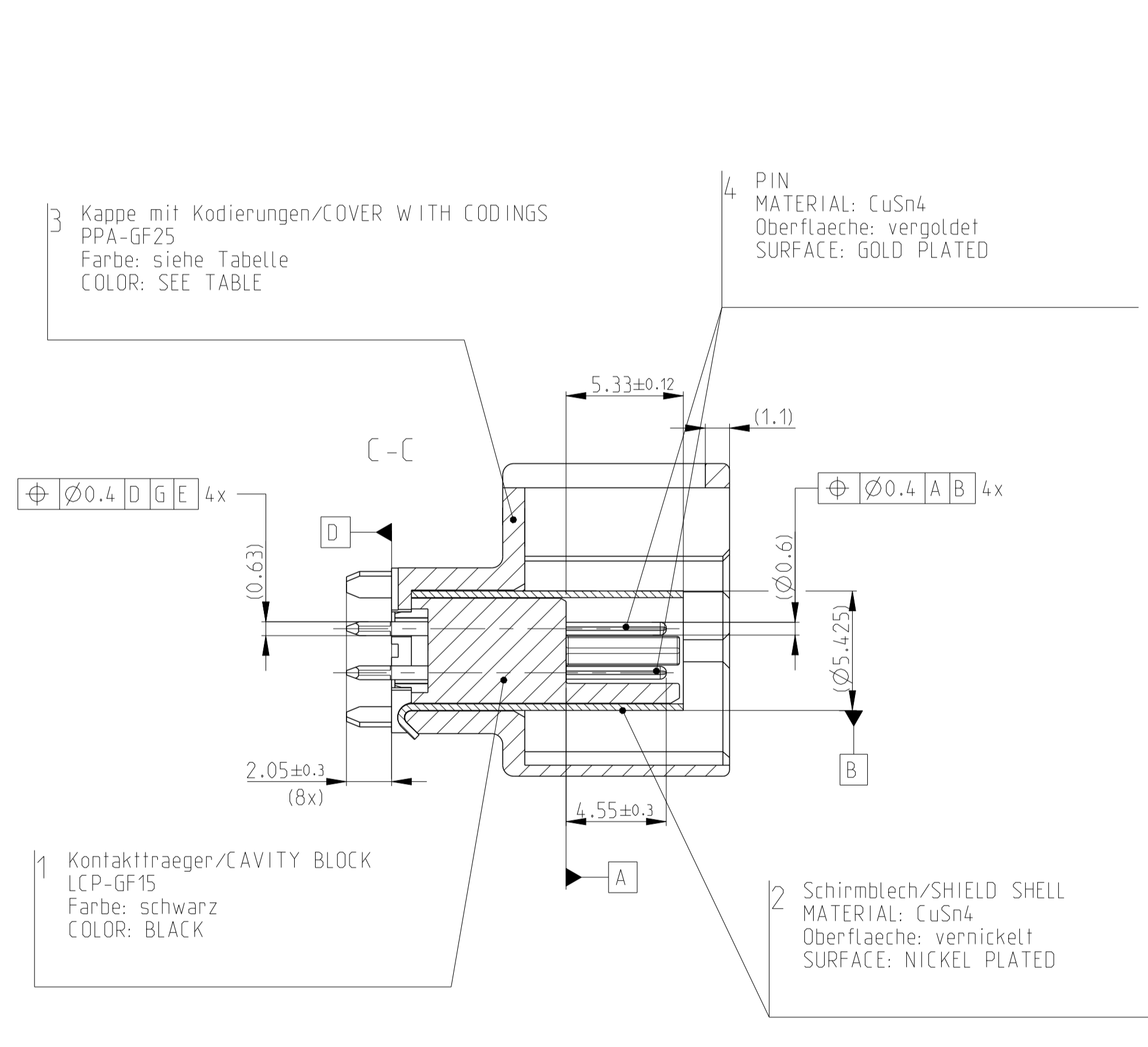
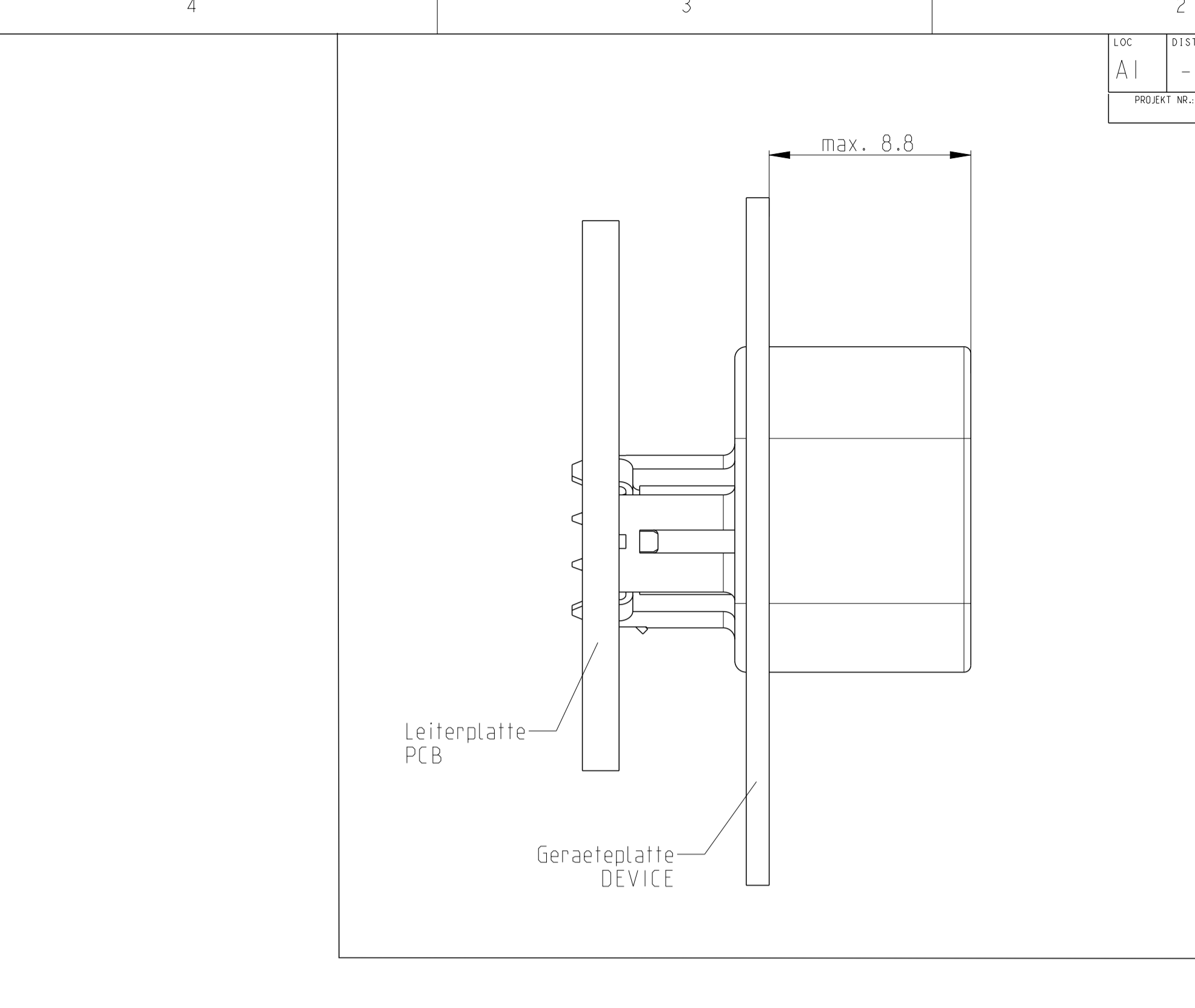
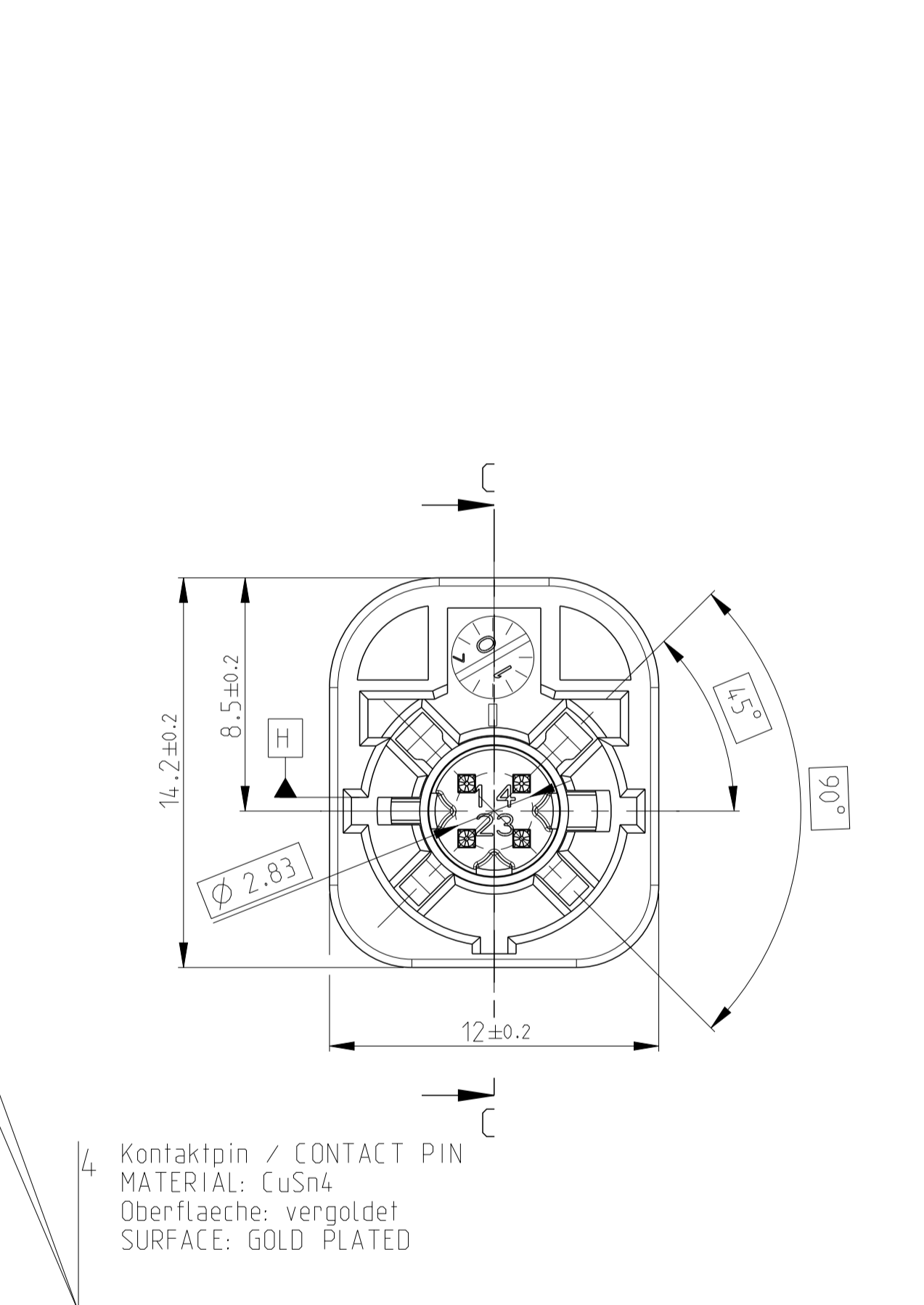
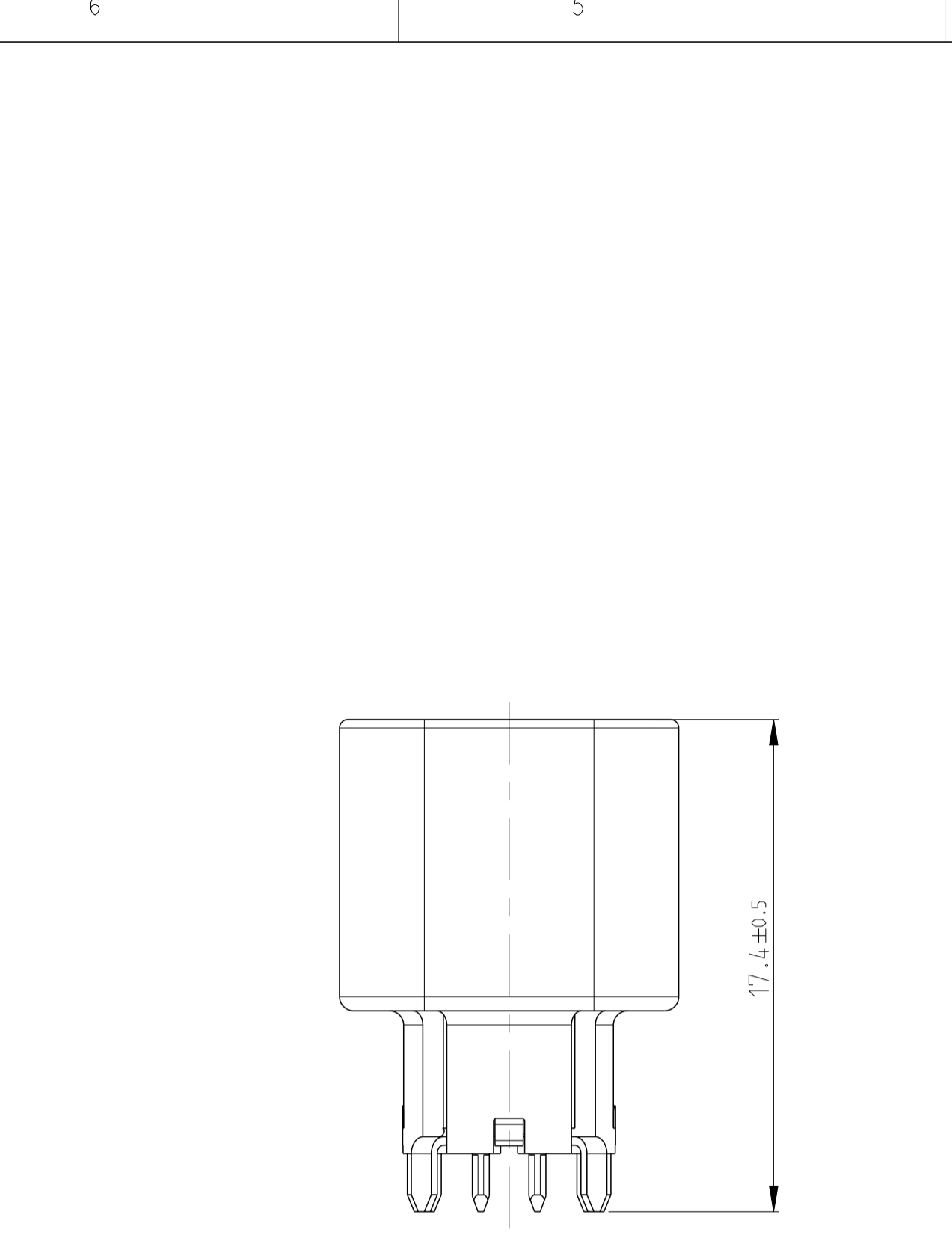


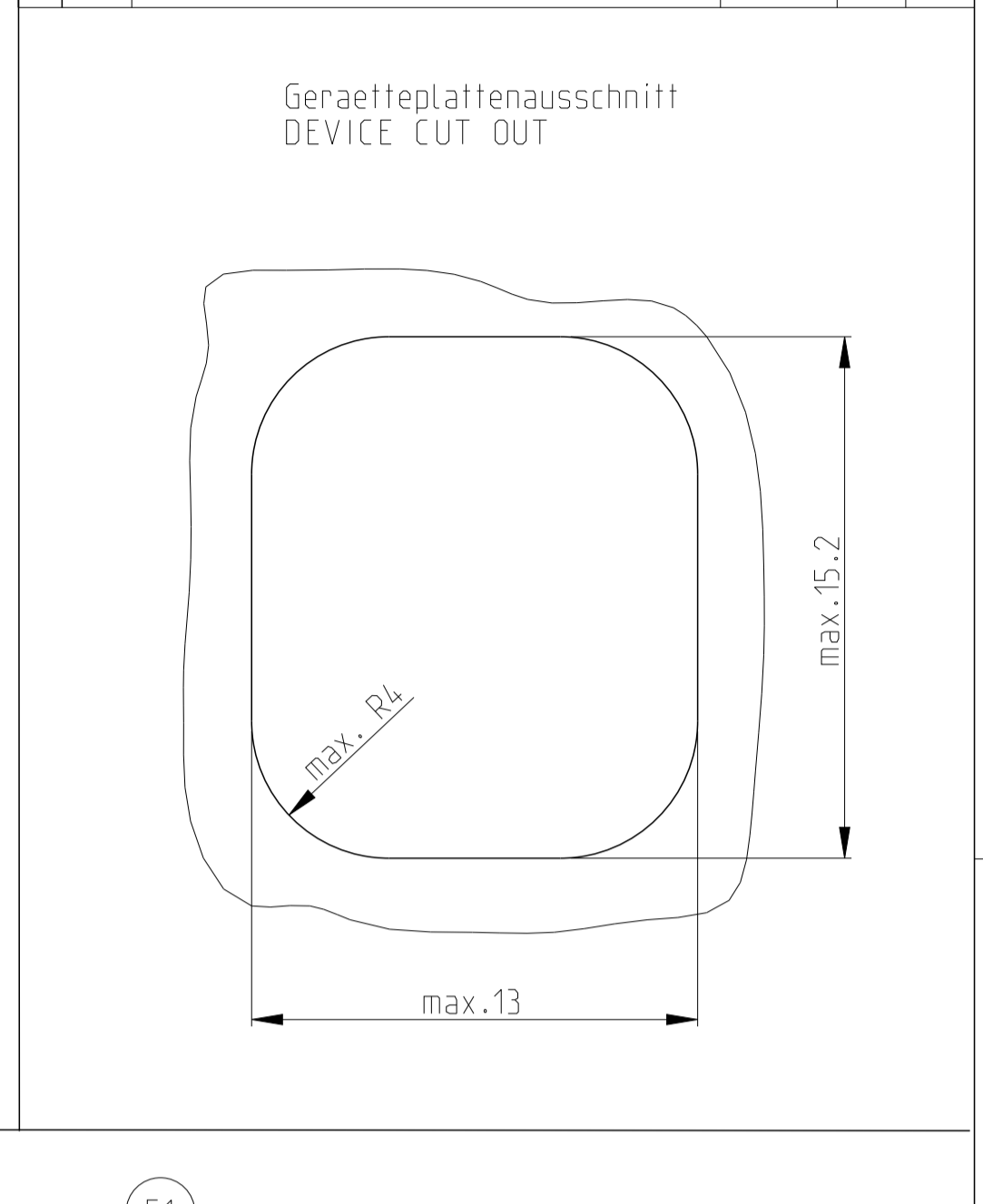
0-1823271-6	E	2.1	BROWN	F
0-1823271-5	E	2.1	GREEN	E
0-1823271-4	E	2.1	BORDEAUX VIOLET	D
0-1823271-3	E	2.1	BLUE	C
0-1823271-2	E	2.1	NATURAL	B
0-1823271-1	E	2.1	BLACK	A

TE Bestell-Nr. ORDER-NO.	REV	WEIGHT (g)	Farbe COLOUR	Kod. COD.
--------------------------	-----	------------	--------------	-----------



LOC	DIST	REVISIONS					
A1	-	P	LTH	DESCRIPTION	DATE	DWN	APVD
		D	E-11-009828		17MAY2011	AL	UG
		E	E-12-020431		10DEC2012	AL	UG
		E1	E-14-000420		10JAN2014	AW	MR



Bemerkungen  
NOTES

- 1 Maßgebend ist der deutsche Text  
ONLY THE GERMAN LANGUAGE VERSION SHALL BE BINDING
- 2 Formteilungsgrad max. 0.3 zulässig  
MOULD BURS MAX. 0.3 PERMITTED
- 3 Zulaessiger Regeneratanteil max. 25%  
RECYCLED MATERIAL MAX. 25% PERMISSIBLE
- 4 Einzelheiten der Ausfuehrung bleiben dem Hersteller ueberlassen  
DETAILS OF DESIGN ARE LEFT TO MANUFACTURER
- 5 Verpackung: Verpackungsprofil PN 741783-1  
PACKAGING: TUBE PN 741783-1

0- -1 wie gezeichnet  
AS SHOWN

PRODUCT CHARACTERISTICS ACC. QMP EMEA_12 BESONDERE MERKMALE NACH QMP EMEA_12		TOLERANCING ISO 8015 TOLERIERUNG ISO 8015																												
THIS DRAWING IS A CONTROLLED DOCUMENT. DIESER ZEICHNUNGSDRUCKER IST NUR DURCH AMP REGISTIERTES PERSONNEL ZUGANGIG. DIESE ZEICHNUNG IST NUR FÜR DEN INTERIÖREN GEBRAUCH BESTIMMT.		DWN: A.Loebker 13MAY2011 CHK: D.Fueck 17MAY2011 APVD: U.Gassner 17MAY2011																												
DIMENSIONS: MASSENHEITEN (mm)		TOLERANCES UNLESS OTHERWISE SPECIFIED: DIMENSIONEN (mm)																												
<table border="1"> <tr><td>0</td><td>PLC</td><td>±0.1</td></tr> <tr><td>1</td><td>PLC</td><td>±0.1</td></tr> <tr><td>2</td><td>PLC</td><td>±0.1</td></tr> <tr><td>3</td><td>PLC</td><td>±0.1</td></tr> <tr><td>4</td><td>PLC</td><td>±0.1</td></tr> </table>		0	PLC	±0.1	1	PLC	±0.1	2	PLC	±0.1	3	PLC	±0.1	4	PLC	±0.1	<table border="1"> <tr><td>1</td><td>PLC</td><td>±0.1</td></tr> <tr><td>2</td><td>PLC</td><td>±0.1</td></tr> <tr><td>3</td><td>PLC</td><td>±0.1</td></tr> <tr><td>4</td><td>PLC</td><td>±0.1</td></tr> </table>		1	PLC	±0.1	2	PLC	±0.1	3	PLC	±0.1	4	PLC	±0.1
0	PLC	±0.1																												
1	PLC	±0.1																												
2	PLC	±0.1																												
3	PLC	±0.1																												
4	PLC	±0.1																												
1	PLC	±0.1																												
2	PLC	±0.1																												
3	PLC	±0.1																												
4	PLC	±0.1																												
MATERIAL: -		FINISH/OBERFLAECHE/FARBE: -																												
VERARBEITUNGSSPEZ. 114-18867		APPLICAZIONE SPEC. 114-18867																												
WEIGHT: -		REVISIONS: -																												
CUSTOMER DRAWING		SCALE: MASSSTAB 5:1																												
SIZE: A1 00779		DRAWING NO.: 1823271																												
CAGE CODE: -		SHEET: 1 OF 1																												
RESTRICTED TO: -		REV: E1																												



TE Connectivity  
4 POS., PIN DIA 0.6, HEADER ASSY  
4 pol., Pin 0.6 Stiffleiste Assy