

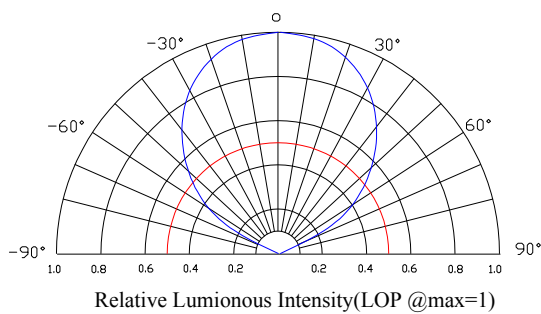
FYL- 25A3XXX1B

Features:

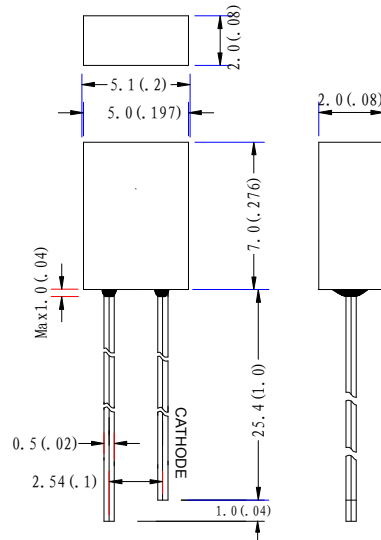
- General purpose leads
- RoHs compliant.

Descriptions:

- Dice material: GaP/GaAsP/InGaN/AlGaN/P.
- Device Outline: 2*5mm Square Type.
- Radiation pattern.



Package configuration



- ◆ All dimensions are millimeters (inches)
- ◆ Tolerance is $\pm 0.25\text{mm}(.010\text{'})$ unless otherwise noted.

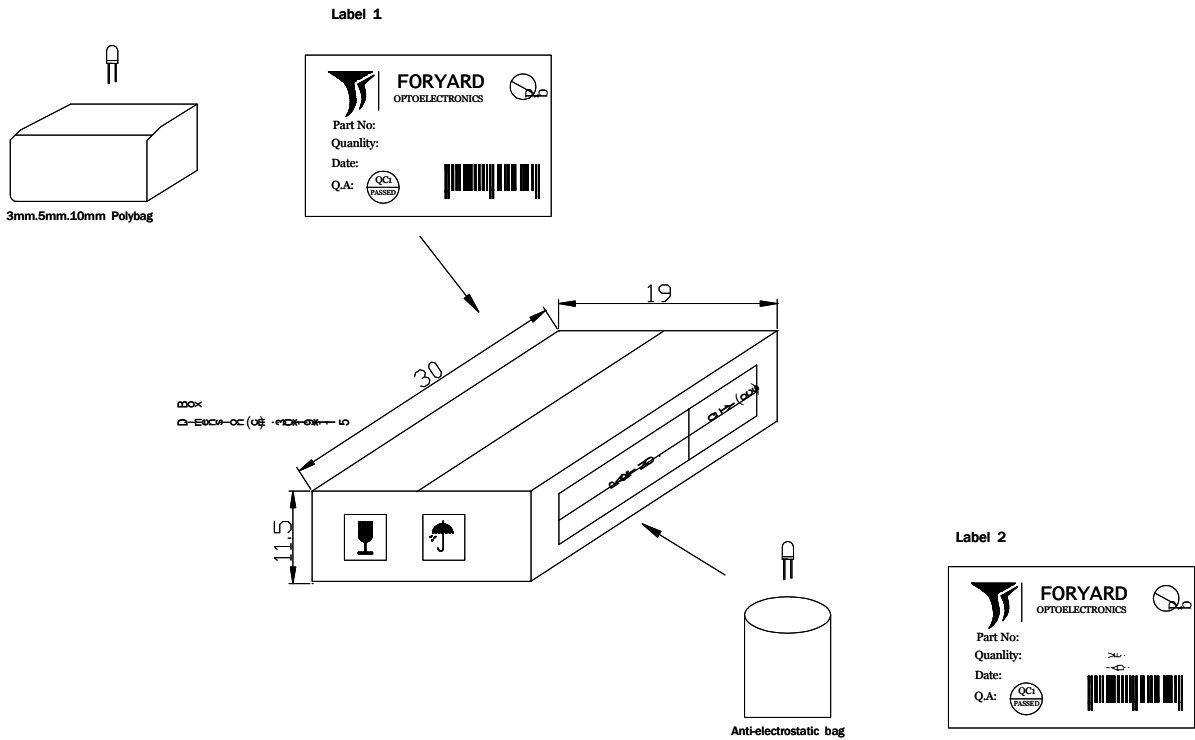
Absolute maximum ratings($T_a=25\text{ }^\circ\text{C}$)

Parameter	MAX.	Unit
Continuous Forward Current	20	mA
Derating Linear From $50\text{ }^\circ\text{C}$	0.4	mA/ $^\circ\text{C}$
Reverse Voltage	5	V
Operating Temperature Range	$-30\text{ }^\circ\text{C}$ to $+80\text{ }^\circ\text{C}$	
Storage Temperature Range	$-40\text{ }^\circ\text{C}$ to $+100\text{ }^\circ\text{C}$	
Lead Soldering Temperature[4mm(.157") From Body]	$260\text{ }^\circ\text{C}$ for 5 Seconds	

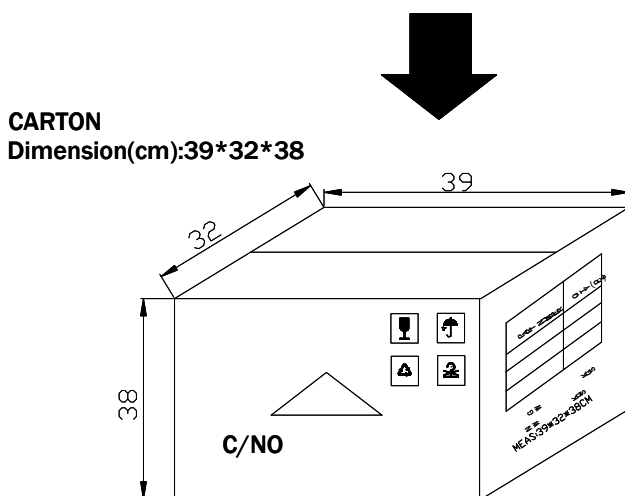
Optical Characteristics at TA = 25° C,IF=20mA.

Part Number	Lens Color	Wave length (nm)	Intensity (mcd)	Angle 2θ 1/2
FYL-25A3HD1B	Red diffused	700	20	110
FYL-25A3ED1B	Red diffused	625	50	110
FYL-25A3AD1B	Amber diffused	610	50	110
FYL-25A3YD1B	Yellow diffused	588	50	110
FYL-25A3GD1B	Green diffused	568	45	110
FYL- 25A3LRC1B	Water clear	660	350	100
FYL- 25A3SURC1B	Water clear	630	500	100
FYL-25A3NURC1B	Water clear	630	750	100
FYL-25A3SUEC1B	Water clear	625	500	100
FYL- 25A3SUAC1B	Water clear	610	500	100
FYL- 25A3NUYC1B	Water clear	588	960	100
FYL-25A3PGC1B	Water clear	520	1800	100
FYL-25A3BGC1B	Water clear	505	1800	100
FYL- 25A3UBC1B	Water clear	470	1200	100
FYL- 25A4UWC1B	Water clear	X:0.29 Y:0.30 CCT:9500K	800	100

LAMP PACKING.



DEVICE	QTY/polybag(pcs)	Polybag/box A	Fig
5mm(T-1 3/4)	1000	8 bags	Label 1
3mm(T-1)	1000	10 bags	Label 1
10mm(T-1)	250	8 bags	Label 1
Blue/Green/White	500pcs	8 bags	Label 2



6 Boxes/Carton
5mm:48,000pcs
3mm:60,000pcs
10mm:12,000pcs
Blue/Pure Green/bluish Green
/White:24,000pcs