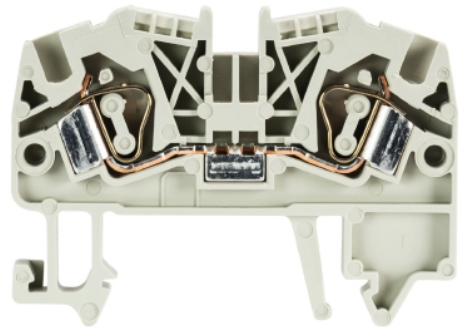


Data sheet

Commercial Art.No.: 56.704.0053.0

Feed-through terminal WKF 4 / 35

Feed-through terminal with tension spring connection for mounting on TS35, nominal cross section: 4 mm², width: 6 mm, color: grey



Commercial Art.No.	56.704.0053.0
EAN	4015573349414
Order Unit	100

Certificates / Approvals



CAN-Ex



ATEX



Technical data

General

Nominal cross section	4 mm ²
Color	Grey
Number of levels	1
Number of clamp positions per level	2
Width/grid dimension	6 mm
Insulating housing	PA666
Inflammability class of insulation material acc. with UL94	V0
Explosion-tested version "Ex e"	yes
Mounting method	DIN rail (top hat rail) 35/7.5 mm
Terminal blocks for electrical installations	yes

Technical data

Rated current	32 A
Rated voltage	800 V
Rated impulse voltage	8 kV
Pollution degree	3
Closing plate required	yes
Type of insulation material	Thermoplastic
Length	57 mm

Connection Data

Connection type 1	spring clamp connection
Connection type 2	spring clamp connection
Minimum cross section solid	0.13 mm ²
Maximum cross section solid	6 mm ²
Minimum cross section fine stranded	0.13 mm ²

Maximum cross section fine stranded	4 mm ²
Wire strip length	11 mm

Technical Data UL/CSA

Cross section UL	22-10 AWG
Voltage UL	600 V
Current factory wiring	30 A
Current field wiring	20 A
Cross section CSA	22-10 AWG
Voltage CSA	600 V
Current CSA	35 A

Classification

ECLASS 11	
ECLASS 8.1	27141120
ETIM 7.0	EC000897
ETIM 6.0	EC000897
ETIM 5.0	EC000897
ETIM 4.0	EC000897

Product compliance

ROHS conformity status	Compliant
REACH-SVHC conformity status	Compliant

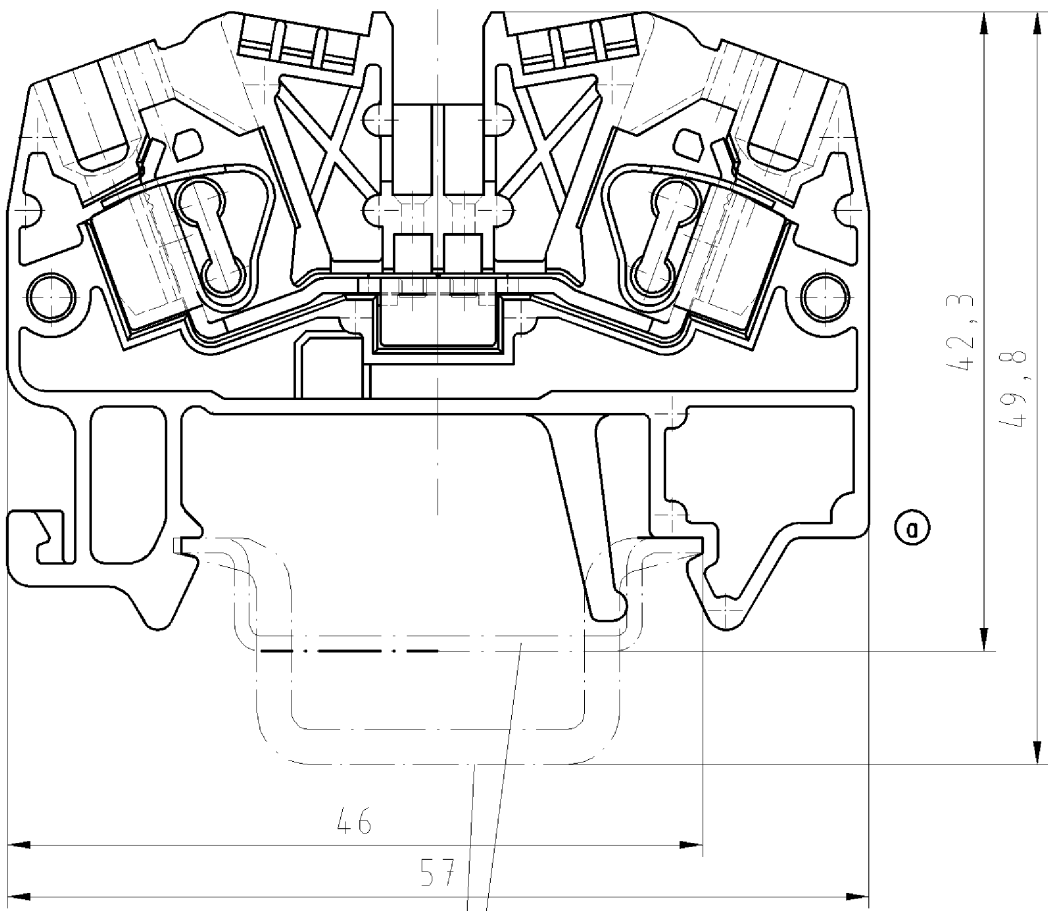
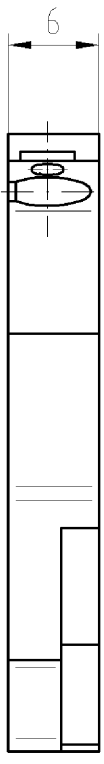
Accessories

Commercial Art.No.:	Article-type description:	Description:
Z7.261.1227.0	Jumper bar IVB WKF 4 - 2	Cross connector, insulated for DIN rail terminal blocks type WKF..., 2 - pole
Z7.261.1327.0	Jumper bar IVB WKF 4 - 3	Cross connector, insulated for DIN rail terminal blocks type WKF..., 3 - pole
Z7.261.1427.0	Jumper bar IVB WKF 4 - 4	Cross connector, insulated for DIN rail terminal blocks type WKF..., 4 - pole
Z7.261.1527.0	Jumper bar IVB WKF 4 - 5	Cross connector, insulated for DIN rail terminal blocks type WKF..., 5 - pole
Z7.261.1627.0	Jumper bar IVB WKF 4 - 6	Cross connector, insulated for DIN rail terminal blocks type WKF..., 6 - pole
Z7.261.1727.0	Jumper bar IVB WKF 4 - 7	Cross connector, insulated for DIN rail terminal blocks type WKF..., 7 - pole
Z7.261.1827.0	Jumper bar IVB WKF 4 - 8	Cross connector, insulated for DIN rail terminal blocks type WKF..., 8 - pole
Z7.261.1927.0	Jumper bar IVB WKF 4 - 9	Cross connector, insulated for DIN rail terminal blocks type WKF..., 9 - pole
Z7.261.2027.0	Jumper bar IVB WKF 4 - 10	Cross connector, insulated for DIN rail terminal blocks type WKF..., 10 - pole
98.300.0000.0	Mounting rail TS 35x7,5 UNPERF - l:2000mm	Mounting rail TS 35, unslotted, size 7,5 mm, length 2 m, material steel. galv. zinc-plated and dichromated
98.300.1000.0	Mounting rail TS 35x7,5 PERF 15mm - l:2000mm	Mounting rail TS 35, slotted, size 7,5 mm, length 2 m, material steel. galv. zinc-plated and dichromated
98.300.1900.0	Mounting rail TS 35x7,5 PERF 25mm - l:2000mm	Mounting rail TS 35, slotted, size 7,5 mm, length 2 m, material steel. galv. zinc-plated and dichromated

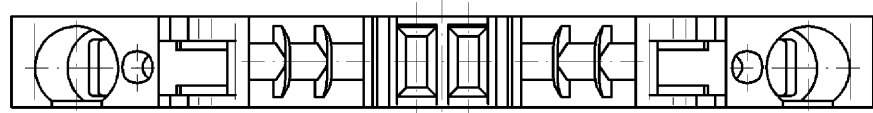


98.360.0000.0	Mounting rail TS 35x15-2,3 UNPERF - l:2000mm	Mounting rail TS 35, unslotted, size 15 mm, length 2 m, material steel. galv. zinc-plated and dichromated
98.360.0004.0	Mounting rail TS 35x15-2,3 UNPERF FZN - l:2000mm	Mounting rail TS 35, unslotted, size 15 mm, length 2 m, material steel, hot galvanized
98.370.0000.0	Mounting rail TS 35x15 UNPERF - l:2000mm	Mounting rail TS 35, unslotted, size 15 mm, length 2 m, material steel. galv. zinc-plated and dichromated
98.370.1000.0	Mounting rail TS 35x15 PERF 15mm - l:2000mm	Mounting rail TS 35, slotted, size 15 mm, length 2 m, material steel. galv. zinc-plated and dichromated
98.380.0000.0	Mounting rail TS 35x15-2,3 UNPERF CU - l:2000mm	Mounting rail TS 35, unslotted, size 15 mm, length 2 m, material E copper
07.312.2153.0	End plate APF 2,5 - 4	End plate for DIN rail terminal blocks type WKF 2,5... und WKF 4..., color: grey
07.312.2153.6	End plate APF 2,5 - 4 BLAU	End plate for DIN rail terminal blocks type WKF 2,5... und WKF 4..., color: blue
07.312.2153.7	End plate APF 2,5 - 4 GRUEN	End plate for DIN rail terminal blocks type WKF 2,5... und WKF 4..., color: green
07.312.2253.0	Partition TWF 2,5 - 4	Partition for DIN rail terminal blocks type WKF 2,5 and WKF 4, color: grey
98.300.1800.0	Mounting rail TS 35x7,5 PERF 18mm - l:2000mm	Mounting rail TS 35, slotted, size 7,5 mm, length 2 m, material steel. galv. zinc-plated and dichromated

Weitergabe sowie Vervielfältigung dieses Dokuments, Verwertung und Mitteilung seines Inhalts sind verboten, soweit nicht ausdrücklich gestattet. The reproduction, distribution and utilization of this document as well as the communication of its contents to others without express authorization is prohibited.



Hutschiene EN 60715-35x7,5
mounting rail EN 60715-35x7,5
Hutschiene EN 60715-35x15
mounting rail EN 60715-35x15



Diese Maße werden bei Abnahme besonders geprüft
Ausschließlich Prüfmaße
Mit Z/E gekennzeichnete Maße sind nur für interne Zwecke gültig

Weitere Daten siehe Katalog
further data see catalog

b

Teile-Nr. part-nr.	Farbe colour	Type type
56.704.0053.0	grau/grey	WKF 4/35
56.704.0053.1	schwarz/black	WKF 4/35 SCHWARZ
56.704.0053.5	rot/red	WKF 4/35 ROT
56.704.0053.6	blau/blue	WKF 4/35 BLAU

Freitoleranz nach DIN		CAD - Zeichnung, keine manuellen Änderungen			1. Verwendung: -		Bl.: 1 von 1	
	/	Maßstab 2:1	Werkstoff und Oberfläche:	2002	Tag	Name	Zeichnung Nr. 56.704.0053.0 01K b	Index
	/			Entworfen	26.09.	Schneiderb.		
	/			Geprüft	-	-		
	/			Normgepr.	-	-	Ersatz für: -	
b	07.04.2005/	 wieland Elektrische Verbindungen		Benennung				DURCHGANGSKLEMME terminal
a	29.06.2004/							
Buchstabe	Datum / Blatt							
Änderung								

567040053001K_4_CADW027_dütsch 2005-04-07 14:20:58 1.000