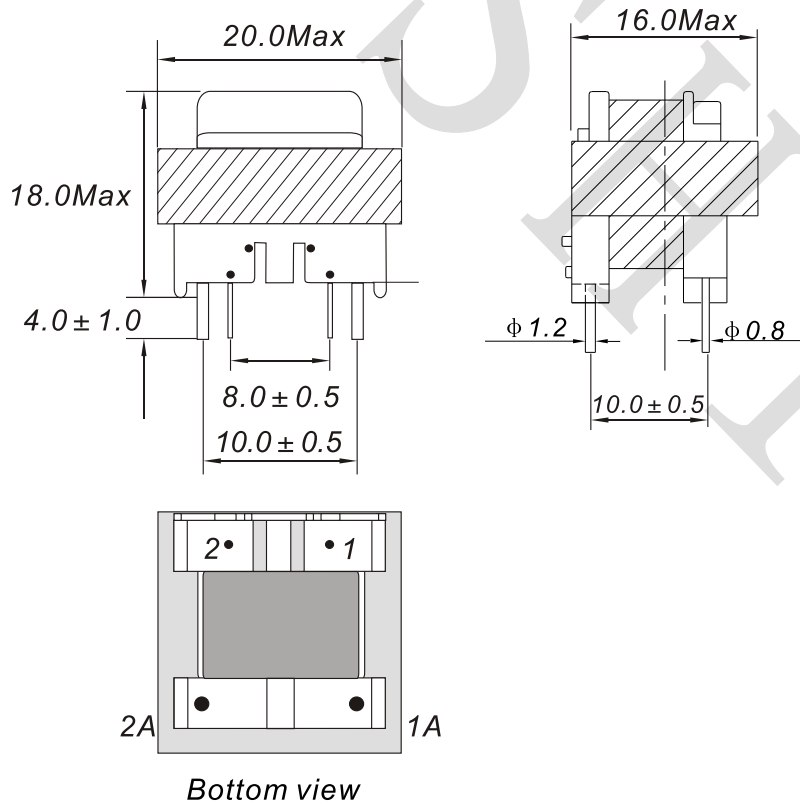
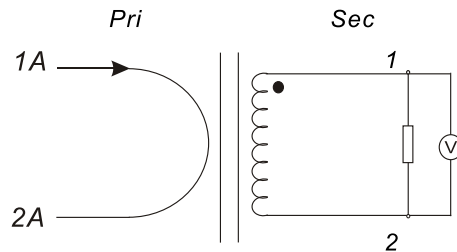




1. PHYSICAL CHARACTERISTICS (mm)



2. ELECTRONICAL SCHEMATIC



3. ELECTRONICAL SPECIFICATIONS

Model Number	Current ratio	Accyarcy	Linearity	Output @ 50/60Hz
ACST014-681	680:1	±2%	<1%	2.2Vrms
ACST014-102	1000:1	±2%	<1%	3.2Vrms
ACST014-152	1500:1	±2%	<1%	4.7Vrms
ACST014-252	2500:1	±2%	<1%	7.9Vrms
ACST014A-681	680:1	±5%	<5%	2.2Vrms
ACST014A-102	1000:1	±5%	<5%	3.2Vrms
ACST014A-152	1500:1	±5%	<5%	4.7Vrms
ACST014A-252	2500:1	±5%	<5%	7.9Vrms

Hi-Pot: 2.5kVrms, 50/60Hz, 10S Winding to Winding

Hi-Pot: 1.25kVrms, 50/60Hz, 10S Winding to Core

Operating Temperature: -30~95°C

Storage Temperature: -50~125°C

NOTES:

Temp 20°C 48%RH
RoHS Compliant

NAME:	Current Sensor		
CUSTOMER P/N:		DATE:	2013-01-08
SHINHOM P/N:	ACST014 Series	REV: A0	PAGE
DRAWN BY	CHECKED BY	APPROVE BY	



SHINHOM
SHAANXI SHINHOM ENTERPRISE CO.LTD

TEL:+86-029-87851838
FAX:+86-029-87851840
ZIP:710054
Http://www.shinhom.com
E-mail:shinhom@globalsources.com
sales@shinhom.com.cn
NO. 8, Yanta Northern Road, Xi'an Shaanxi Pro. China