

Data sheet

Commercial Art.No.: 78.101.0453.0

Modular insert FLE BUK 4S 1,5 03 AU

Modular connector system 4 pole and shielding female insert, 30V/1A, screw connection



Commercial Art.No.	78.101.0453.0
EAN	4015573739710
Order Unit	5

Technical data

General

Model	Female insert
Inflammability class of insulation material acc. with UL94	V0
Color	Grey
Mating cycles	50
Pollution degree	3
Modular version	yes
Operating temperature range min.	-20 °C
Operating temperature range max.	85 °C

Connection Data

Connection type	screw connection
Number of poles	4
Plus switching contacts	0
Number of pole for rated current 2	0
Number of pole for rated current 3	0
Total number of poles (without ground contact)	4
With wire protection	yes
Min. conductor diameter rigid (solid/stranded)	0.5 mm ²
Max. conductor diameter rigid (solid/stranded)	1.5 mm ²
Protective contact	No

Technical Data UL/CSA

Min. conductor cross section flexible wire	0.5 mm ²
Max. conductor cross section flexible wire	1.5 mm ²
Conductor cross section flexible AWG wire	28-16 AWG

Model

With housing	No
--------------	----

Contacts

Contact material	Copper alloy
Surface	Gilt
Wire strip length	5 mm

Screws head design/recomm. Torque

Mounting screws	M3/0.5-0.7 Nm Slot
Clamping screws	H1/0.2 Nm

Technical Data DIN EN 61984

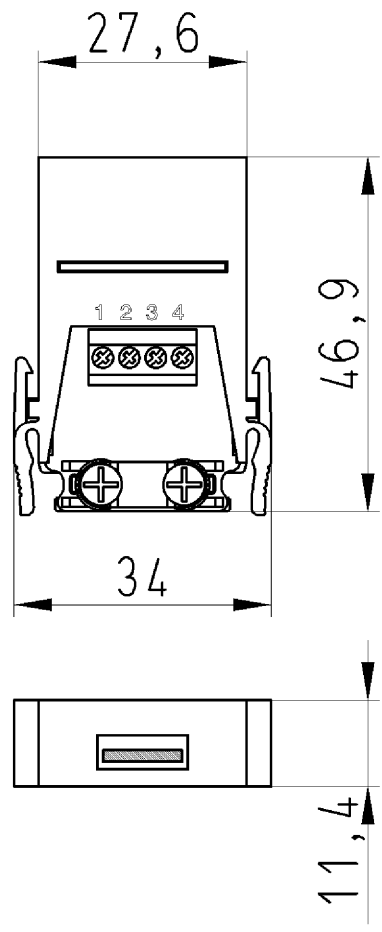
Nominal voltage	30 V
Rated voltage face/ground	30 V
Nominal current	1 A
Rated impulse voltage	0.8 kV

Classification

ECLASS 11	
ECLASS 8.1	27440205
ETIM 7.0	EC000438
ETIM 6.0	EC000438
ETIM 5.0	EC000438
ETIM 4.0	EC000438
ETIM 3.0	EC000438

Product compliance

ROHS conformity status	Compliant
REACH-SVHC conformity status	Compliant



Buchseneinsatz
78.101.0453.0

Zeichnungsnummer
78.101.0453.010W
Buchseneinsatz

15.11.2007
Hollet Florian
M 1:1