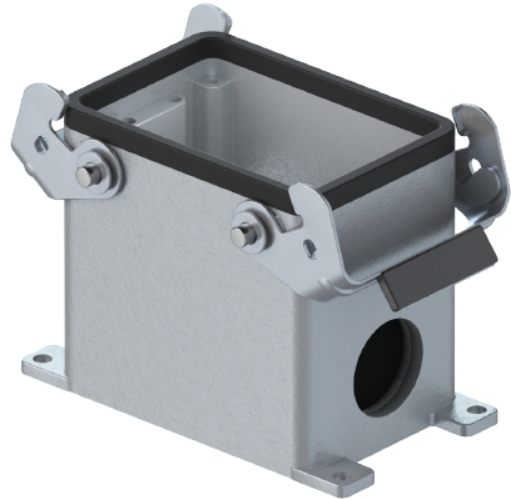


Data sheet

Commercial Art.No.: 73.335.3235.1

Bottom HD GUT GC 32 M32 69 A1

Bottom-base revos HD made of aluminum, with double locking lever or. screw cap with threaded hole M32 on the left side, low version, 32-poles



| | |
|--------------------|---------------|
| Commercial Art.No. | 73.335.3235.1 |
| EAN | 4015573759848 |
| Order Unit | 1 |

Technical data

General

| | |
|--|---------------------|
| Housing material | aluminum |
| Color | Grey |
| Surface | With powder coating |
| Degree of protection (IP) | Other |
| UV resistant | yes |
| Inflammability class of insulation material acc. with UL94 | Other |
| Operating temperature range min. | -40 °C |
| Operating temperature range max. | 120 °C |

Model

| | |
|------------------------|-----------------------|
| Construction | 32/50 |
| Locking mechanism | Double locking levers |
| Cable entry | Sideways |
| Type of cable | Thread |
| With cable screw gland | No |
| Thread size M | 32 |
| Thread size PG | |
| Hinged lid | No |
| EMC-version | No |
| Length | 106 mm |
| Width | 71 mm |
| Height | 75 mm |

Classification

| | |
|-----------|--|
| ECLASS 11 | |
|-----------|--|

| | |
|------------|----------|
| ECLASS 8.1 | 27440202 |
| ETIM 7.0 | EC000437 |
| ETIM 6.0 | EC000437 |
| ETIM 5.0 | EC000437 |
| ETIM 4.0 | EC000437 |
| ETIM 3.0 | EC000437 |

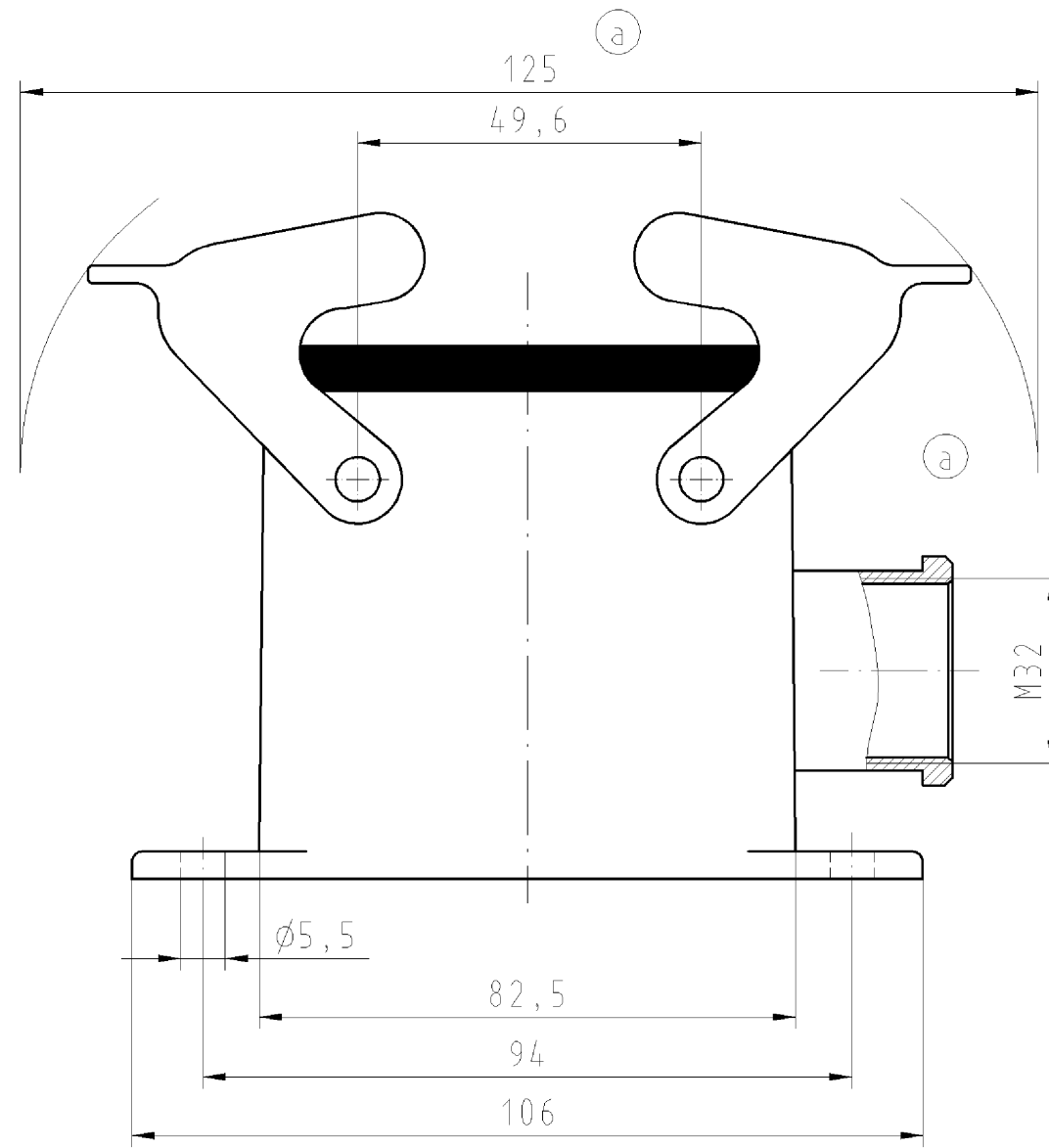
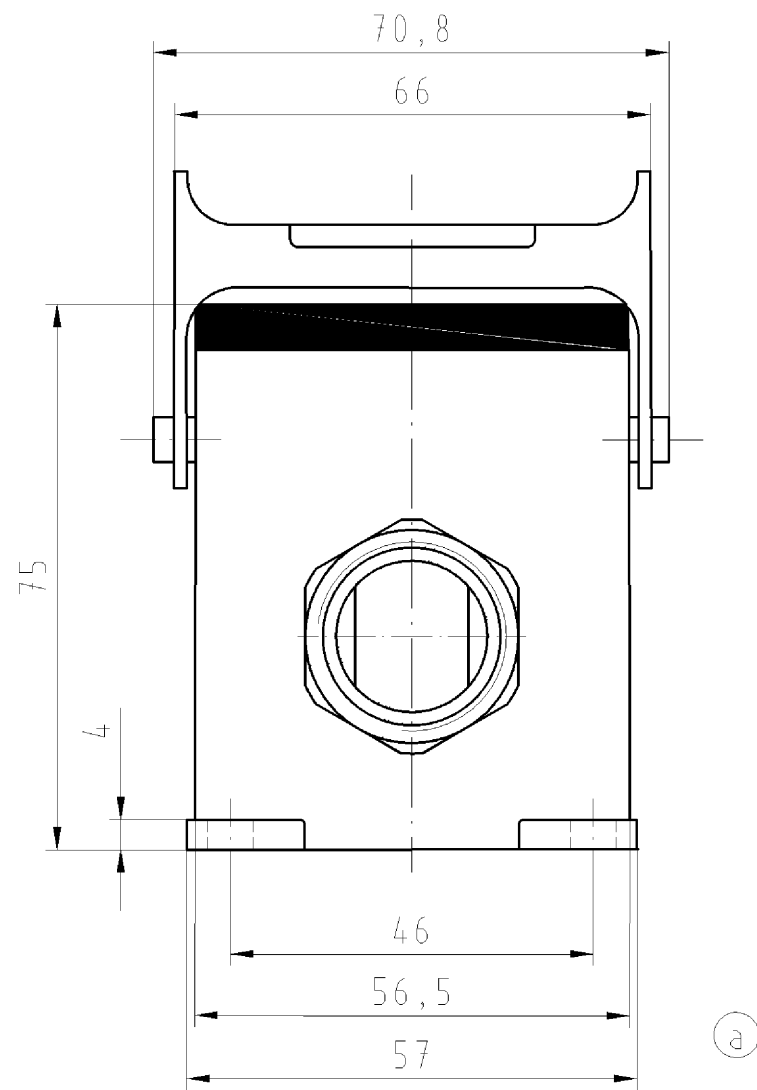
Product compliance

| | |
|------------------------------|-----------|
| ROHS conformity status | Compliant |
| REACH-SVHC conformity status | Compliant |

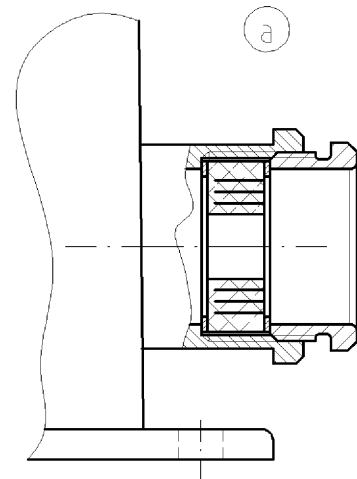
Fits with

| Commercial Art.No.: | Article-type description: | Description: |
|---------------------|--------------------------------------|--|
| 73.300.1653.0 | Female insert HD BUS 16 2,5 25 AG | revos BASIC HD 16 pole + ground, female insert 250V/16A, screw connection |
| 73.300.1653.3 | Female insert HD BUS SB 16 2,5 25 AG | revos BASIC HD 16 pole + ground, female insert, marked 17-32, 250V/16A, screw connection |
| 73.310.1653.0 | Male insert HD STS 16 2,5 25 AG | revos BASIC HD 16 pole + ground, male insert 250V/16A, screw connection |
| 73.310.1653.3 | Male insert HD STS SB 16 2,5 25 AG | revos BASIC HD 16 pole + ground, male insert, marked 17-32, 250V/16A, screw connection |
| 73.300.3253.0 | Female insert HD BUS 32 2,5 25 AG | revos BASIC HD 32 pole + ground, female insert 250V/16A, screw connection |
| 73.310.3253.0 | Male insert HD STS 32 2,5 25 AG | revos BASIC HD 32 pole + ground, male insert 250V/16A, screw connection |
| 73.700.2553.0 | Female insert HD BUC 25 25 | revos HD 25 pole + ground, female insert 250V/10A, crimp connection |
| 73.710.2553.0 | Male insert HD STC 25 25 | revos HD 25 pole + ground, male insert 250V/10A, crimp connection |

Gezeichnete Ausführung/version 73.335.3235.1



Ausführung/version .0
Kabelverschraubung/cable gland
M32



Weitere Daten siehe Katalog
further data see catalog

| Teile-Nr. | Typ |
|---------------|------------------------|
| 73.335.3235.0 | HD GUT GC 32 M32 69 A0 |
| 73.335.3235.1 | HD GUT GC 32 M32 69 A1 |

| | | | |
|--|--|---|--------------------------------|
| Tolerierung nach DIN 7167/Tolerance system acc. to DIN 7167. (This DIN-standard describes the envelope principle. According to the envelope principle the deviations of form and parallelism are limited by the size tolerances). | | ja/yes <input checked="" type="checkbox"/> Stoffverbots- und Deklarationsliste nach UU-TQM-05/03 ist einzuhalten. Conformity with Wieland document UU-TQM-05/03 (list of prohibited / declarable hazardous substances) to be declared! | |
| Freitoleranz nach General tolerance | | CAD - Zeichnung, keine manuellen Änderungen CAD - drawing, no manual modifications allowed | 1. Verwendung: - First Use: |
| Blatt: 1 von 1 Sheet: of 1 | | Zeichnung Nr./Drawing No. | |
| T | | 73.335.3235.0 01K a | |
| Maße in mm/Dimensions are in mm | | | |
| Werkstoff/Material | | 2004 | Tag/Date |
| / | | gezeichnet drawn | 12. März |
| / | | geprüft checked | Postler F. |
| / | | Normgepr. Stand. check | - |
| / | | Ersatz für/Replacement for: - | |
| / | | Type | |
| / | | Benennung/Title | |
| a | | GEHAEUSEUNTERTEIL | |
| Index | | housing lower part | |
| Änderung/Revision | | Größe/size 32 M32 1x rechts/right | |

Weitergabe sowie Vervielfältigung dieses Dokuments, Verwertung und Mitteilung seines Inhalts sind verboten, soweit nicht ausdrücklich gestattet.
The reproduction, distribution and utilization of this document as well as the communication of its contents to others without express authorization is prohibited.

733353235001K_4_CADW1043.dwg 2007-02-16T08:46:56 1.000