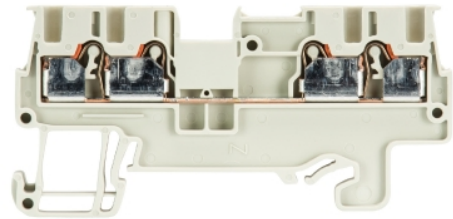


Data sheet

Commercial Art.No.: 56.202.5155.0

Duo-modular terminal WTP 1,5 D2/2

Feed-through terminal with push in connection for mounting on TS 35, nominal cross section: 1,5 mm², Width: 3,5 mm, Color: grey



| | |
|--------------------|---------------|
| Commercial Art.No. | 56.202.5155.0 |
| EAN | 4049088388507 |
| Order Unit | 100 |

Technical data

General

| | |
|--|---------------------|
| Nominal cross section | 1.5 mm ² |
| Color | Grey |
| Number of levels | 1 |
| Number of clamp positions per level | 4 |
| Width/grid dimension | 3.5 mm |
| Insulating housing | PA666 |
| Inflammability class of insulation material acc. with UL94 | V0 |

Technical data

| | |
|-----------------------------|---------------|
| Rated current | 17.5 A |
| Rated voltage | 500 V |
| Rated impulse voltage | 6 kV |
| Pollution degree | 3 |
| Type of insulation material | Thermoplastic |
| Length | 64 mm |
| Width | 3.5 mm |
| Height | 31.2 mm |

Connection Data

| | |
|-------------------------------------|----------------------|
| Connection type | Plug-in connection |
| Connection type 1 | Plug-in connection |
| Minimum cross section solid | 0.14 mm ² |
| Maximum cross section solid | 2.5 mm ² |
| Minimum cross section fine stranded | 0.14 mm ² |
| Maximum cross section fine stranded | 1.5 mm ² |
| Wire strip length | 8 mm |

Classification

| | |
|------------|----------|
| ECLASS 11 | |
| ECLASS 8.1 | 27141120 |

| | |
|----------|----------|
| ETIM 7.0 | EC000897 |
| ETIM 6.0 | EC000897 |
| ETIM 5.0 | EC000897 |
| ETIM 4.0 | EC000897 |

Product compliance

| | |
|------------------------------|-----------|
| REACH-SVHC conformity status | Compliant |
|------------------------------|-----------|

Accessories

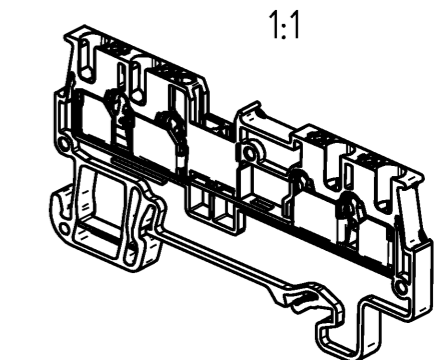
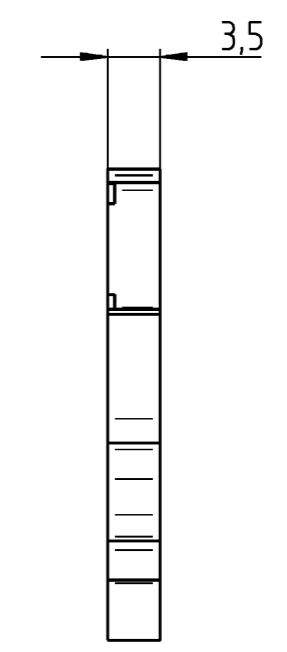
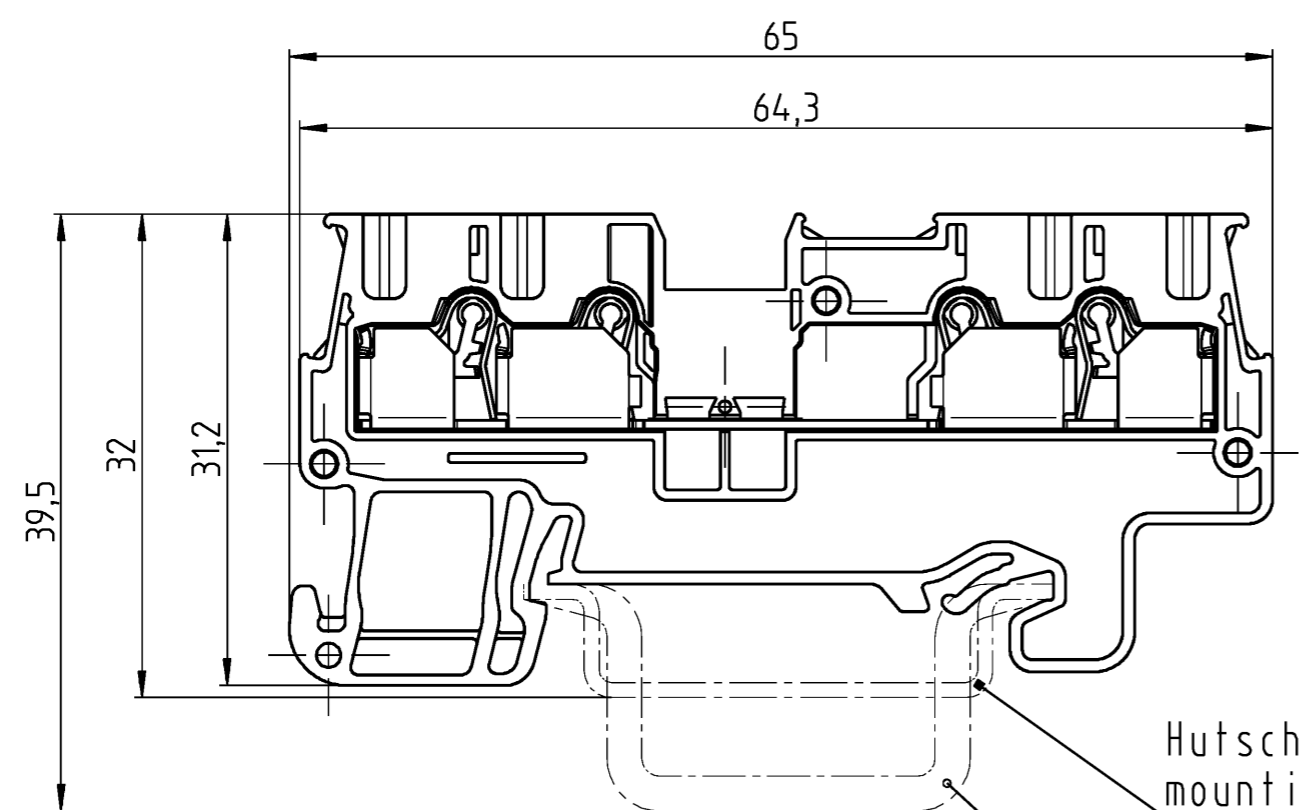
| Commercial Art.No.: | Article-type description: | Description: |
|---------------------|--|--|
| Z7.284.7027.0 | Jumper bar IVB WTP 1,5- 2 | Cross connector, insulated for DIN rail terminal blocks type WTP 1,5, 2-pole |
| Z7.284.7227.0 | Jumper bar IVB WTP 1,5- 4 | Cross connector, insulated for DIN rail terminal blocks type WTP 1,5, 4-pole |
| Z7.284.7327.0 | Jumper bar IVB WTP 1,5- 5 | Cross connector, insulated for DIN rail terminal blocks type WTP 1,5, 5-pole |
| Z7.284.7427.0 | Jumper bar IVB WTP 1,5- 10 | Cross connector, insulated for DIN rail terminal blocks type WTP 1,5, 10-pole |
| 04.344.2655.0 | Warning cover AD WTP 1,5 | Cover with warning symbol for DIN rail terminal blocks type WTP 1,5..., color: yellow |
| Z7.284.7127.0 | Jumper bar IVB WTP 1,5- 3 | Cross connector, insulated for DIN rail terminal blocks type WTP 1,5, 3-pole |
| 07.313.4655.0 | End plate AP WTP 1,5 D2/2 | End plate for DIN rail terminal blocks type WTP 1,5 D2/2..., color: grey |
| 07.313.5555.0 | Partition TW WTP 1,5 D1/2 D2/2 E | Partition for DIN rail terminal blocks type WTP D1/2 E... and WTP D2/2 E..., color: grey |
| 98.300.0000.0 | Mounting rail TS 35x7,5 UNPERF - l:2000mm | Mounting rail TS 35, unslotted, size 7,5 mm, length 2 m, material steel. galv. zinc-plated and dichromated |
| 98.300.1000.0 | Mounting rail TS 35x7,5 PERF 15mm - l:2000mm | Mounting rail TS 35, slotted, size 7,5 mm, length 2 m, material steel. galv. zinc-plated and dichromated |
| 98.300.1800.0 | Mounting rail TS 35x7,5 PERF 18mm - l:2000mm | Mounting rail TS 35, slotted, size 7,5 mm, length 2 m, material steel. galv. zinc-plated and dichromated |
| 98.300.1900.0 | Mounting rail TS 35x7,5 PERF 25mm - l:2000mm | Mounting rail TS 35, slotted, size 7,5 mm, length 2 m, material steel. galv. zinc-plated and dichromated |
| 98.360.0000.0 | Mounting rail TS 35x15-2,3 UNPERF - l:2000mm | Mounting rail TS 35, unslotted, size 15 mm, length 2 m, material steel. galv. zinc-plated and dichromated |
| 98.360.0004.0 | Mounting rail TS 35x15-2,3 UNPERF FZN - l:2000mm | Mounting rail TS 35, unslotted, size 15 mm, length 2 m, material steel, hot galvanized |
| 98.370.0000.0 | Mounting rail TS 35x15 UNPERF - l:2000mm | Mounting rail TS 35, unslotted, size 15 mm, length 2 m, material steel. galv. zinc-plated and dichromated |
| 98.370.1000.0 | Mounting rail TS 35x15 PERF 15mm - l:2000mm | Mounting rail TS 35, slotted, size 15 mm, length 2 m, material steel. galv. zinc-plated and dichromated |
| 98.380.0000.0 | Mounting rail TS 35x15-2,3 UNPERF CU - l:2000mm | Mounting rail TS 35, unslotted, size 15 mm, length 2 m, material E copper |
| 04.403.0056.0 | Marking tags for DIN rail terminal blocks WMP 3,5 SI2KTB3590DW | Plate with marking tags for DIN rail terminal blocks with a width of 3.5mm, 75 tags per plate, tag size: 3x9.1mm, color: white, unmarked, markable with Wieprint printing-system |

A These dimensions will be especially checked at delivery
 Only inspection dimensions
 With JE marked dimensions are only valid for internal use

B

C Diese Maße werden bei Abnahme besonders geprüft
 Ausschließlich Prüfmaße
 Mit JE gekennzeichnete Maße sind nur für interne Zwecke gültig

D



| Teilenummer / part number | Farbe / color | Type |
|---------------------------|--------------------------|------------------------|
| 56.202.5155.0 | kieselgrau / pebble grey | WTP 1,5 D2/2 |
| 56.202.5155.1 | schwarz / black | WTP 1,5 D2/2 black |
| 56.202.5155.2 | weiß / white | WTP 1,5 D2/2 white |
| 56.202.5155.4 | oxidrot / oxide red | WTP 1,5 D2/2 oxide red |
| 56.202.5155.5 | tomatenrot / tomato red | WTP 1,5 D2/2 red |
| 56.202.5155.6 | lichtblau / light blue | WTP 1,5 D2/2 blue |
| 56.202.5155.7 | grün / green | WTP 1,5 D2/2 green |
| 56.202.5155.8 | gelb / yellow | WTP 1,5 D2/2 yellow |
| 56.202.5155.9 | orange / orange | WTP 1,5 D2/2 orange |

Weitere Daten siehe KATALOG oder eKatalog
 additional data see CATALOG or eCATALOG www.wieland-electric.com
eshop.wieland-electric.com

Tolerierung Size ISO 14405 © / Tolerance system Size ISO 14405 ©.
 (This ISO-standard describes the envelope principle. According to the envelope principle the deviations of form and parallelism are limited by the size tolerances).

Freitoleranz nach General tolerance CAD - Zeichnung, keine manuellen Änderungen CAD - drawing, no manual modifications allowed

ja/yes Stoffverbots- und Deklarationsliste nach WN 5020.010 ist einzuhalten.
 Conformity with Wieland document WN 5020.010 e (list of prohibited / declarable hazardous substances) to be declared!

1. Verwendung: First Use: Blatt: 1 von 1 Sheet: 1 of 1

| | | | | | |
|------------------------|---|------------|--------------|--|-------|
| Maßstab / Scale 2:1 | Werkstoff / Material | Tag/Date | Name | Zeichnung Nr. / Drawing No. T 56.202.5155.0 01K | Index |
| | gezeichnet / drawn geprüft / checked Normgepr. / Stand. check | 20.01.2017 | Hennemann V. | | |

Maße in mm / Dimensions are in mm

Vol. --- mm³ Dfl./Surf. --- mm² Ersatz für / Replacement for:

| | | | | | |
|-------|------------------------------|---------------------|--------------------------|-------------------|---|
| Index | Datum / Blatt / Date / Sheet | Änderung / Revision | www.wieland-electric.com | Type see table | Benennung/Title DURCHGANGSKLEMME push in terminal |
|-------|------------------------------|---------------------|--------------------------|-------------------|---|

Weitergabe sowie Vervielfältigung dieses Dokuments, Verwertung und Mitteilung seines Inhalts sind verboten, soweit nicht ausdrücklich gestattet. Die Reproduktion, Distribution und Nutzung dieses Dokuments sowie die Kommunikation mit anderen ohne ausdrückliche Genehmigung ist untersagt.