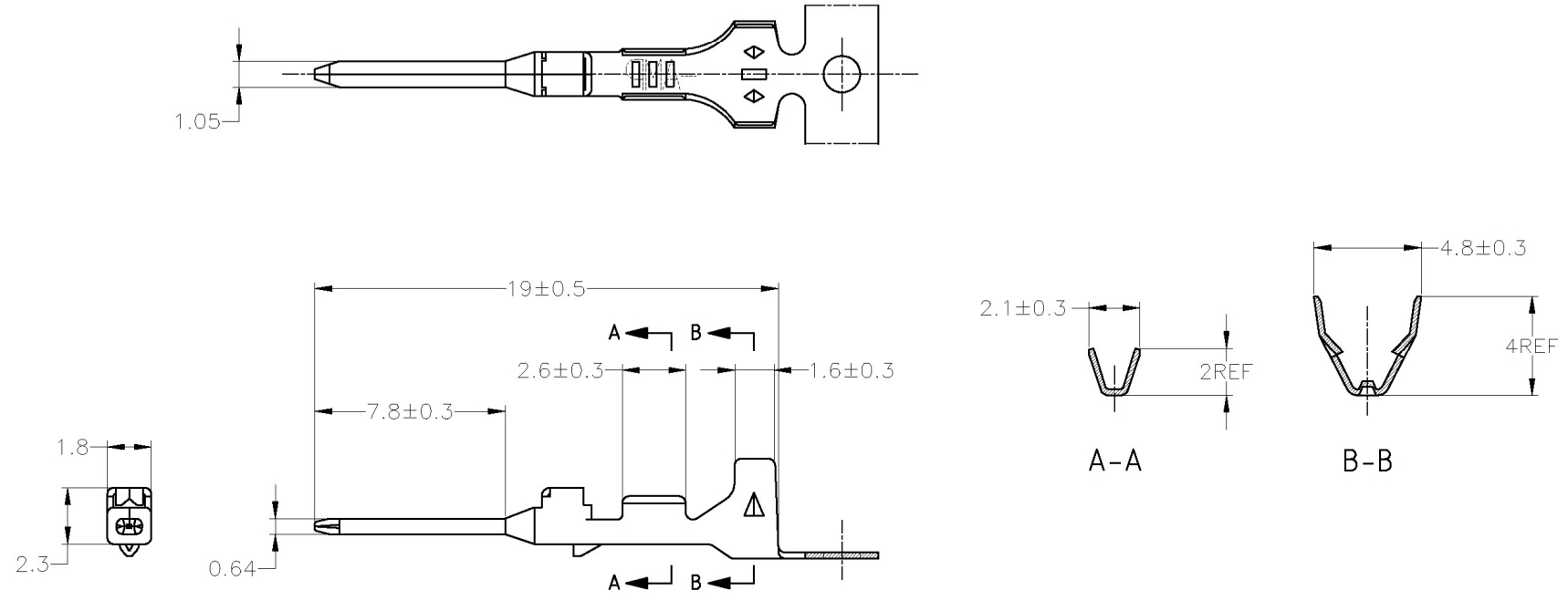


THIS DRAWING IS UNPUBLISHED. RELEASED FOR PUBLICATION
 © COPYRIGHT - By - ALL RIGHTS RESERVED.

LOC	DIST	REVISIONS					
J	-	P	LTR	DESCRIPTION	DATE	DWN	APVD
		C4	REVISED	ECR-13-017347	07NOV2013	TS	KB

-1: AS SHOWN
 本図



- 1. 相手側端子型番：173681
- 2. バラ状端子型番：175063

- 1. MATING RECEPTACLE NUMBER; 173681
- 2. LOOSE PIECE NUMBER: 175063

THIS DRAWING IS A CONTROLLED DOCUMENT.		DWN M.SUGAWARA 10JAND7	TE Connectivity		
DIMENSIONS: 単位：mm		CHK K.BETSUI 10JAND7			
TOLERANCES UNLESS OTHERWISE SPECIFIED: 一般公差		APVD K.BETSUI 10JAND7	NAME 名称		
0 <= x <= 10 : ±0.2 10 <= x <= 30 : ±0.25 30 <= x <= 100 : ±0.3 ANGLE : ±3°		PRODUCT SPEC 製品規格	040 SERIES TAB CONTACT		
MATERIAL 材料 BRASS THICKNESS 黄銅、板厚：0.25		APPLICATION SPEC 取付適用規格 114-5108	SIZE A3	CAGE CODE 00779	DRAWING NO 番号 C-173682
FINISH 仕上 PRE-TINNED 錫めっき済		WEIGHT 0.21g	RESTRICTED TO -		
CUSTOMER DRAWING			SCALE 尺度 5:1	SHEET 1 OF 1	REV C4