

Data sheet

Commercial Art.No.: 25.657.7208.0

PCB pin header 8513 SEGN/12 W F2 THR OB

PCB pin header with pin header, connection method depends on used socket part , 12 poles, with solder pin (1.5mm, tin plated), pitch: 3.5 mm, type of packing: carton, color: black, This product can be soldered by reflow and wave soldering,



Commercial Art.No.	25.657.7208.0
EAN	4049088038372
Order Unit	50

Certificates / Approvals



Technical data

General

Modular spacing	3.5 mm
Soldering process	THR
Packaging	Carton
Number of poles	24
Number of levels	2
Marking	No
Fastening	Flange
Mating direction towards (circuit) board	180°

Technical data

Rated current	8 A
Overvoltage Category I	690 V
Overvoltage Category II	250 V
Overvoltage Category III	125
Rated impulse voltage	2.5 kV

Technical Data UL/CSA

Voltage UL	300 V
Current field wiring	8 A
Current factory wiring	8 A
Voltage CSA	300 V
Current CSA	5 A

Other

Type of insulation material	Thermoplastic
-----------------------------	---------------

Color	black
Height	15.2 mm
Length	43.4 mm
Depth	14.5 mm
Material contact base	CuZn
Material contact surface	Sn

Classification

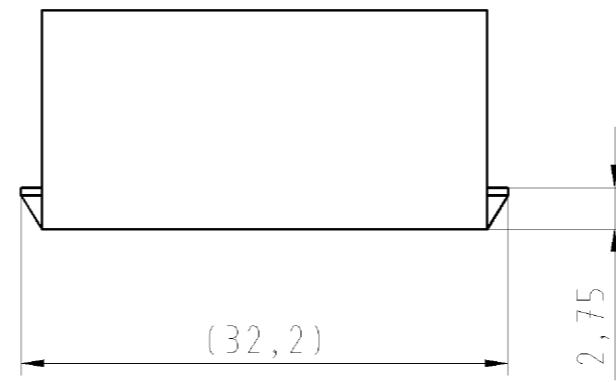
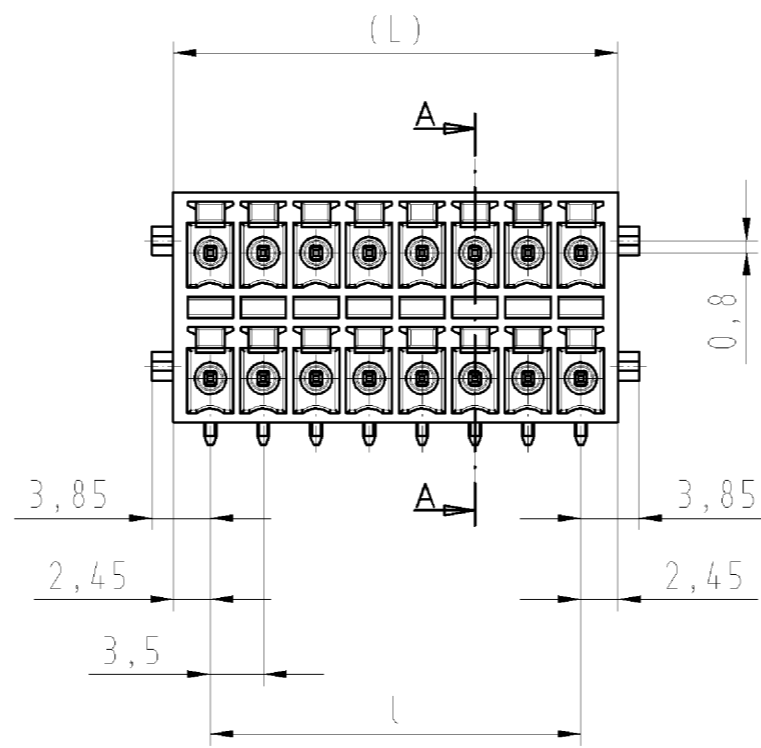
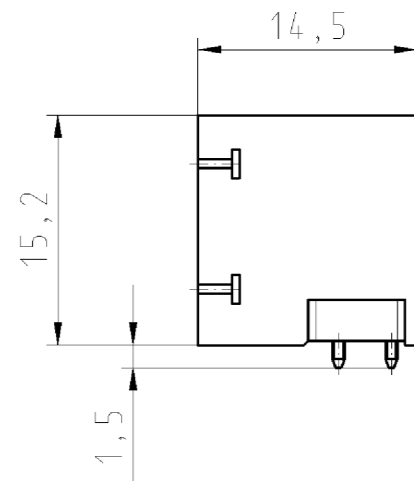
ECLASS 11	
ECLASS 8.1	27440402
ETIM 7.0	EC002637
ETIM 6.0	EC002637
ETIM 5.0	EC002637
ETIM 4.0	EC002637

Product compliance

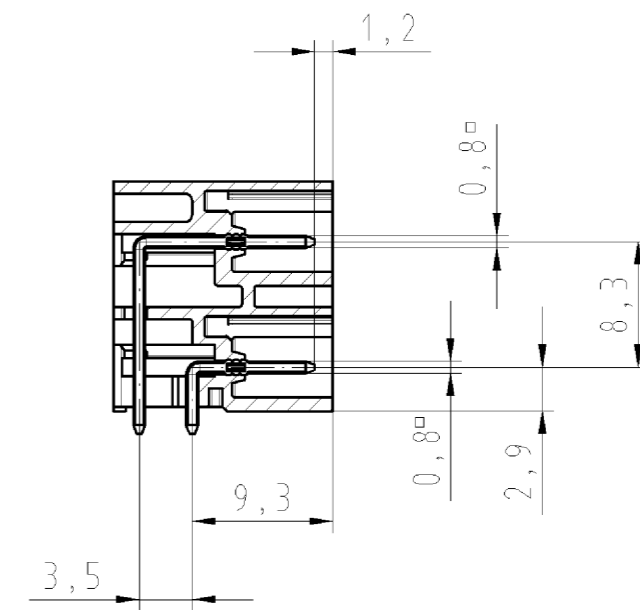
ROHS conformity status	Compliant
REACH-SVHC conformity status	Compliant

Fits with

Commercial Art.No.:	Article-type description:	Description:
27.631.4253.0	PCB connector 8513 BS / 12 F2 OB	PCB female connector, 12 poles, pitch: 3.5 mm, type of packing: carton,color: grey



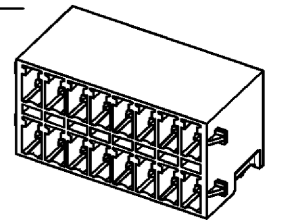
A-A



8/16-polige Ausführung
gezeichnet
shown 8/16 version

Teile-Nr. part-no.	Typ type	Polzahl number of poles	(L)	l	1.Verwendung/ first use: Tray
25.657.6208.0	8513 SEGN/ 2/ 4 WF2 THR	4	8,4	3,5 ±0,02	25.657.6238.0
25.657.6308.0	8513 SEGN/ 3/ 6 WF2 THR	6	11,9	7,0 ±0,02	25.657.6338.0
25.657.6408.0	8513 SEGN/ 4/ 8 WF2 THR	8	15,4	10,5 ±0,02	25.657.6438.0
25.657.6508.0	8513 SEGN/ 5/10 WF2 THR	10	18,9	14,0 ±0,02	25.657.6538.0
25.657.6608.0	8513 SEGN/ 6/12 WF2 THR	12	22,4	17,5 ±0,02	25.657.6638.0
25.657.6708.0	8513 SEGN/ 7/14 WF2 THR	14	25,9	21,0 ±0,05	25.657.6738.0
25.657.6808.0	8513 SEGN/ 8/16 WF2 THR	16	29,4	24,5 ±0,05	25.657.6838.0
25.657.6908.0	8513 SEGN/ 9/18 WF2 THR	18	32,9	28,0 ±0,05	25.657.6938.0
25.657.7008.0	8513 SEGN/10/20 WF2 THR	20	36,4	31,5 ±0,05	25.657.7038.0
25.657.7108.0	8513 SEGN/11/22 WF2 THR	22	39,9	35,0 ±0,05	25.657.7138.0
25.657.7208.0	8513 SEGN/12/24 WF2 THR	24	43,4	38,5 ±0,10	25.657.7238.0
25.657.7308.0	8513 SEGN/13/26 WF2 THR	26	46,9	42,0 ±0,10	25.657.7338.0
25.657.7408.0	8513 SEGN/14/28 WF2 THR	28	50,4	45,5 ±0,10	25.657.7438.0
25.657.7508.0	8513 SEGN/15/30 WF2 THR	30	53,9	49,0 ±0,10	25.657.7538.0
25.657.7608.0	8513 SEGN/16/32 WF2 THR	32	57,4	52,5 ±0,10	25.657.7638.0

M1:1



Tolerierung nach DIN 7167/Tolerance system acc. to DIN 7167. (This DIN-standard describes the envelope principle. According to the envelope principle the deviations of form and parallelism are limited by the size tolerances).		ja/yes <input checked="" type="checkbox"/> Stoffverfalls- und Deklarationsliste nach UU-TQM-05/03 ist einzuhalten. Conformity with Wieland document UU-TQM-05/03 (list of prohibited / delectable hazardous substances) to be declared!	
Freitoleranz nach General tolerance		CAD - Zeichnung, keine manuellen Änderungen EAD - drawing, no manual modifications allowed	
1.Verwendung: First Use:		-	
Blatt: Sheet:		1 von 1 of 1	
Zeichnung Nr./Drawing No.		Index	
T 25.657.6208.0 01K			
Maße in mm/Dimensions are in mm			
Werkstoff/Material		Ersatz für/Replacement for: -	
2007		Tag/Date	
13.12.		Morgen	
gezeichnet drawn		-	
geprüft checked		-	
Werkst. Stand. check		-	
Maßstab/Scale		2:1	
Vol.		mm/Off./Surf.	
wieland		Type	
Elektrische Verbindungen		Benennung/Title	
8513 SEGN		LP_STIFTLISTE	
WF2 THR		Raster 3,5 PCB-Header, pitch 3,5mm	
Index		Datum / Blatt Date / Sheet	
Änderung/Revision			

Wieland sowie Verfertigung dieses Dokuments, Verwertung und Mitteilung seines Inhalts sind verboten, soweit nicht ausdrücklich gestattet. Die Reproduktion, Verbreitung und Nutzung dieses Dokuments sowie die Weitergabe seiner Inhalte zu anderen ohne unsere schriftliche Genehmigung ist ausdrücklich untersagt.